

# CATALOG

# 31



## PAGE 10

STATIC INTAKE/EXTRACTOR FAN  
"PICO WI HP2" AND "RECO 100 WI"



## PAGE 29

STATIC INTAKE/EXTRACTOR FAN  
"PICO WI CLEAN"



## PAGE 36

BUILT-IN AND WALL-MOUNTED CROSS  
FLOW STATIC HEAT RECOVERY UNIT  
"AIR PUR 3 PLUS WI, WI-C, WI-C-CO2"



## PAGE 49

BUILT-IN AND WALL-MOUNTED CROSS  
FLOW STATIC HEAT RECOVERY UNIT  
"AIR PUR 3 PLUS"



## PAGE 53

HIGH-EFFICIENCY, CEILING MOUNTED,  
DUCTABLE STATIC HEAT RECOVERY  
UNITS "TOTAL AIR WI EVO PLUS" AND  
"TOTAL AIR EVO PLUS"



## PAGE 60

STATIC CEILING-DUCTABLE HEAT  
RECOVERY UNITS "AIR PUR EVO PLUS"



## PAGE 66

STATIC CEILING-DUCTABLE HEAT  
RECOVERY UNITS "AIR PUR EVO"



## PAGE 70

HEAT RECOVERY UNIT, VERTICAL  
"TOTAL AIR EVO PLUS" 200/300 /500



## PAGE 72

SUSPENDED-CEILING MOUNTED  
HEAT RECOVERY UNITS WITH BUILT-IN  
DEHUMIDIFIER



## PAGE 74

CEILING-MOUNTED DUCTED ENTHALPIC  
HEAT RECOVERY UNITS "HI-TECH PUR"



## PAGE 83

FILTERS, HOT/COLD WATER COILS,  
ELECTRICAL BATTERIES, DUCTABLE  
DEHUMIDIFIER, RIGID CIRCULAR  
SILENCER, SIMPLE-FLOW VENT CASINGS



## PAGE 92

"IN LINEA" FANS  
FUME ROTATING CHIMNEY



## PAGE 96

ELECTRIC EXTRACTORS



## PAGE 103

INSULATED METAL PLENUMS AND  
ACCESSORIES



## PAGE 110

AIR INTAKE FLEXIBLE ROUND HOSES  
AND ACCESSORIES



# RANGE OF RECOVERY UNITS TECNOSYSTEMI

## BUILT-IN INTAKE/EXTRACTOR UNITS WITH HEAT RECOVERY



30 m<sup>3</sup>/h

55 m<sup>3</sup>/h

80 m<sup>3</sup>/h

90 m<sup>3</sup>/h

## DUCTED, STATIC HEAT RECOVERY UNITS



200 m<sup>3</sup>/h

300 m<sup>3</sup>/h

500 m<sup>3</sup>/h

800 m<sup>3</sup>/h

1000 m<sup>3</sup>/h

1300 m<sup>3</sup>/h

1600 m<sup>3</sup>/h

## UPRIGHT HEAT-RECOVERY UNITS



200 m<sup>3</sup>/h

300 m<sup>3</sup>/h

500 m<sup>3</sup>/h

## DUCTED ENTHALPIC HEAT RECOVERY UNITS



200 m<sup>3</sup>/h

300 m<sup>3</sup>/h

400 m<sup>3</sup>/h

600 m<sup>3</sup>/h

800 m<sup>3</sup>/h

## BUILT-IN HEAT RECOVERY UNITS



160 m<sup>3</sup>/h

230 m<sup>3</sup>/h

300 m<sup>3</sup>/h



# 33 MODELS FOR EVERY SOLUTION

HIGH-EFFICIENCY, CEILING-DUCTED,  
STATIC HEAT RECOVERY UNIT



200 m³/h



300 m³/h

EFFICIENTY  
**90%**



2100 m³/h



2500 m³/h



3000 m³/h



4000 m³/h

EFFICIENTY  
**75%**



EFFICIENTY  
**75%**



1000 m³/h



1300 m³/h

EFFICIENTY  
**75%**

WALL-MOUNTED STATIC HEAT RECOVERY UNITS



160 m³/h



230 m³/h

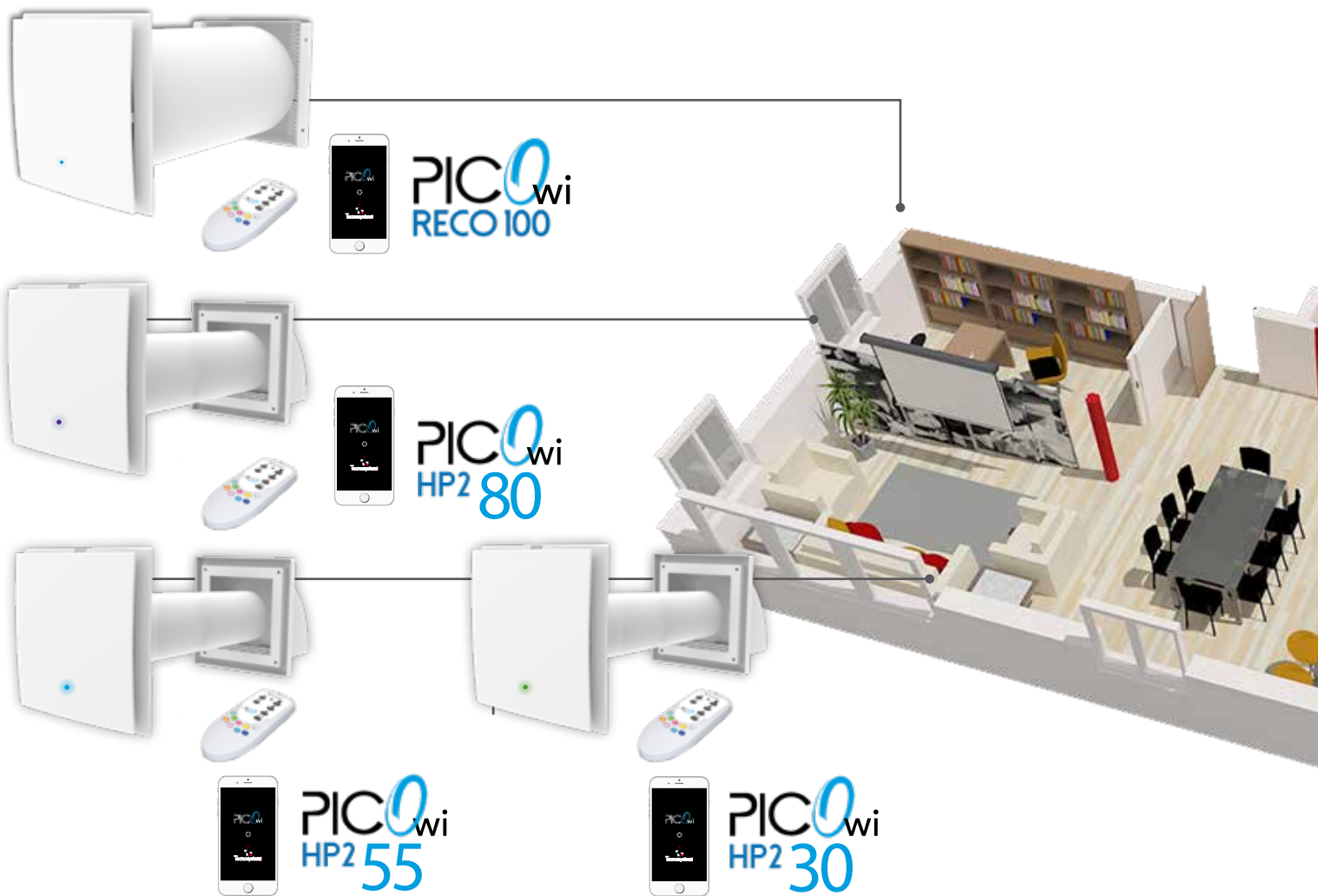


300 m³/h

EFFICIENTY  
**75%**

# NOW IT'S EASIER WITH THE

## BUILT-IN, STATIC INTAKE/EXTRACTOR FAN WITH HEAT RECOVERY



## BUILT-IN, STATIC HEAT RECOVERY UNITS

*AirPur3*<sup>PLUS</sup>  
wi



# NEW SOLUTIONS "SINGLE ROOM"



**AirPur3<sup>PLUS</sup>**  
wi

**BUILT-IN, STATIC HEAT RECOVERY UNITS**



**MOD. 160**



**MOD. 230**



**MOD. 300**



Apply.co



**POOR AIR CIRCULATION?  
DAMP / MOULD STAINED WALLS?  
UNPLEASANT ODOURS?**

**PICO**wi

*IS THE SOLUTION!*

FROM NOW ON, **CLEAN AIR AND NO MORE  
MOULD! LOWER ENERGY COSTS AND  
BETTER QUALITY OF LIFE**



**LOWER ENERGY COSTS**



**BEST QUALITY OF LIFE**





- MAXIMUM SILENCE
- EFFICIENCY: 90 / 96%
- NO FORMATION OF CONDENSATION DURING OPERATION
- CONTROL THROUGH WITH REMOTE CONTROL, SMARTPHONE AND TABLET
- 3 SPEED OPERATION
- COLOURED LEDS FOR SETTINGS DISPLAY
- HUMIDOSTAT INTEGRATED



## COMFORT MODE

If the system is set on WINTER COMFORT or SUMMER COMFORT mode, it activates by exploiting the internal and external difference in temperature in order to reach the ideal internal temperature.

## CO2 MODE

CO2 mode to refresh the internal air and keep the internal environment healthy.

**30** MODELS

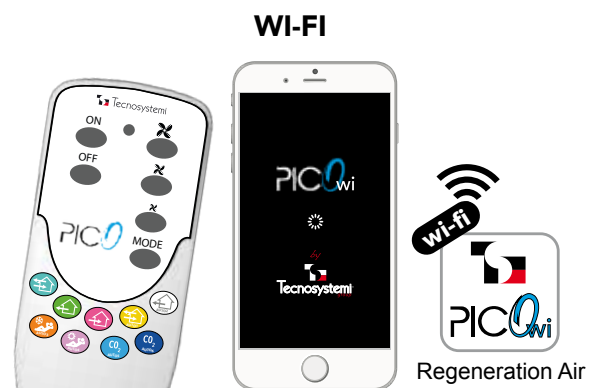
**4** FLOW RATE  
30-55-80-100 mc/h

**3** SPEED MOTORS

MAXIMUM SILENCE

**2** FILTERS INCLUDED

HUMIDISTAT INTEGRATED



Control through  
**REMOTE CONTROL, SMARTPHONES  
AND TABLETS**  
(OFF-LINE)

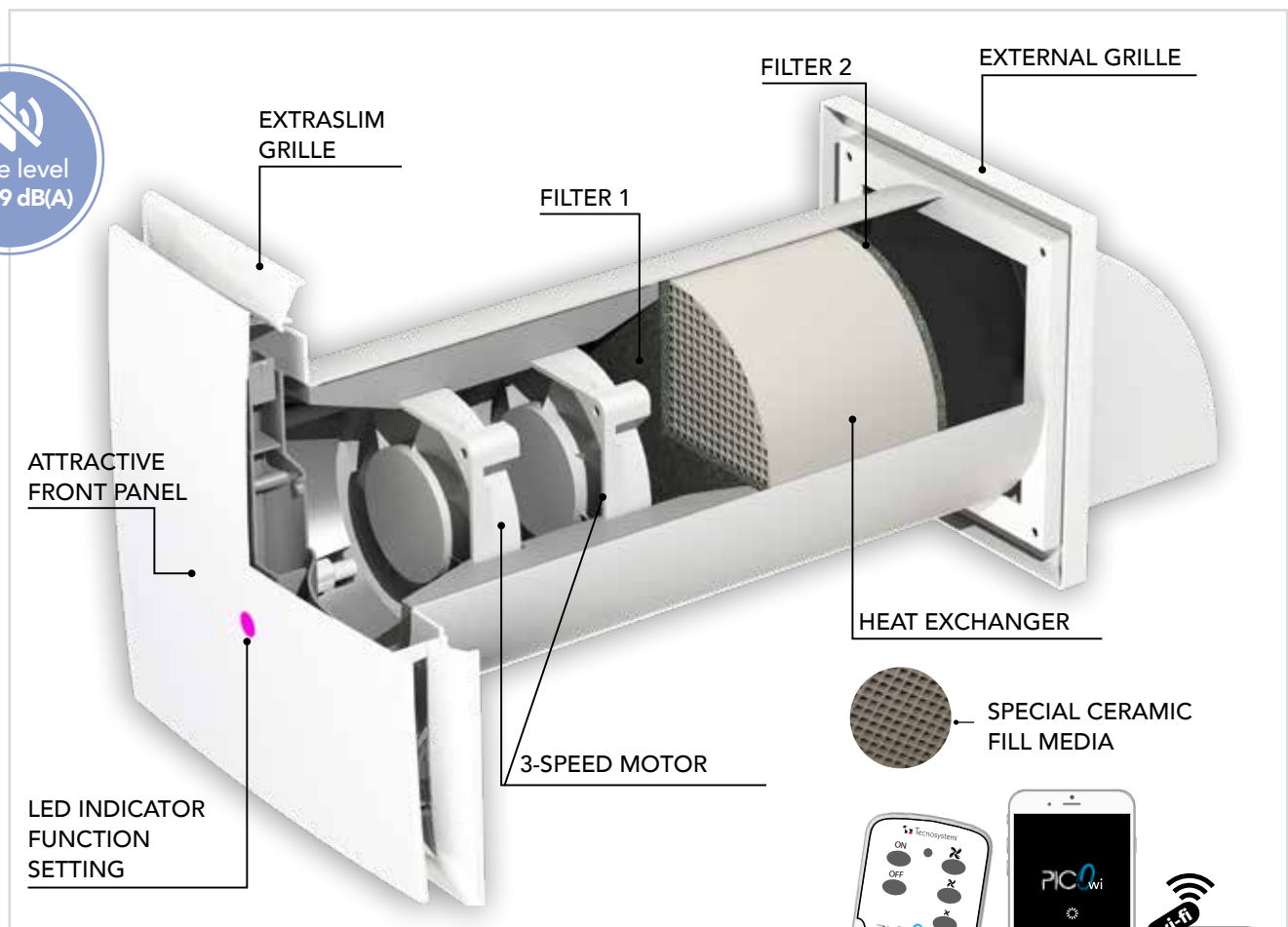
### WALL-MOUNTED STATIC INTAKE/EXTRACTOR FAN WITH HEAT RECOVERY



THANKS TO ITS REVERSIBLE FUNCTION, THE "PICO HP2 WI" EXTRACTOR FAN CREATES A COMFORTABLE MICRO-CLIMATE, WHILE AT THE SAME TIME ALLOWING AIR EXCHANGE.

"PICO HP2 WI" REPRESENTS THE BEST SOLUTION FOR ENERGY SAVINGS AND VENTILATION HOME OR OFFICE.

THE HIGH OUTPUT OF THE INTAKE/EXTRACTION FAN (UP TO 90%) IS GUARANTEED BY A HONEY COMB-STRUCTURED HEAT EXCHANGER MADE FROM CERAMIC MATERIALS. PICO HP2 IS EASY TO INSTALL AND MAINTAIN, IT ALSO FEATURES A SILENT FUNCTION.



|                 |                                  |
|-----------------|----------------------------------|
| <b>Air Flow</b> | 30 - 55 - 80 mc/h                |
| <b>Ø hole</b>   | Ø 103 - 128 - 153                |
| <b>Versions</b> | WI / WI+Comfort / WI+Comfort+CO2 |



Control through  
**REMOTE CONTROL,  
SMARTPHONES AND TABLETS  
(OFF-LINE)**



**EFFICIENCY**  
90%



**INTEGRATED  
WI FI**



**HUMIDISTAT  
INTEGRATED**



# PICO<sup>wi</sup>

RECO 100 | RECO 100 - C  
RECO 100 - C - CO2

ANTI  
**MOULD**  
TECHNOLOGICAL



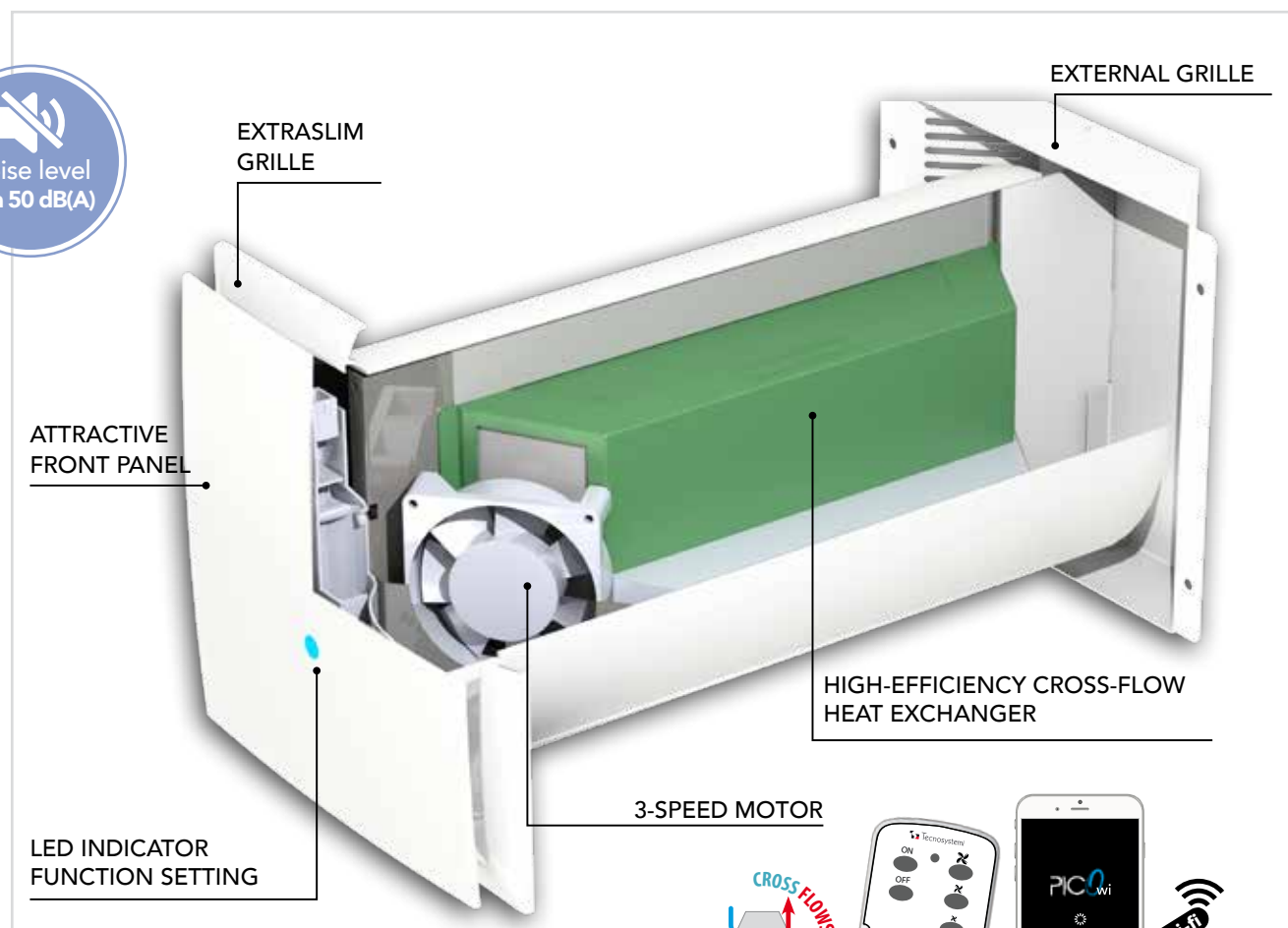
## WALL-MOUNTED CROSS-FLOW STATIC INTAKE/EXTRACTION FAN WITH HEAT RECOVERY

THE "PICO RECO 100 WI" INTAKE/EXTRACTION FAN IS AN **INNOVATIVE CROSS-FLOW HEAT RECOVERY SYSTEM THAT GUARANTEES CORRECT AIR EXCHANGE IN CLOSED ROOMS.**

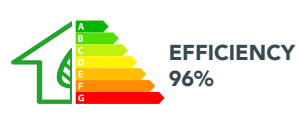
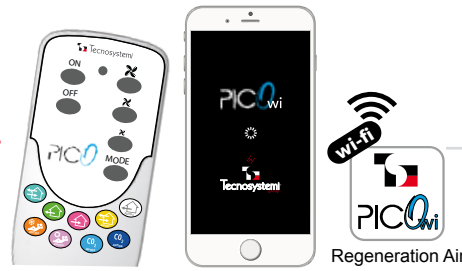
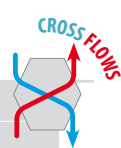
THANKS TO THE USE OF A **HIGH-EFFICIENCY EXCHANGER WITH AN OUTPUT OF UP TO 96%, FRESH AIR IS INTRODUCED AT A TEMPERATURE CLOSE TO THAT INSIDE THE ROOM, REDUCING ENERGY COSTS NORMALLY SUSTAINED USING TRADITIONAL VENTILATION SYSTEMS.**

THE "PICO RECO 100 WI" IS FITTED WITH **TWO FANS** THAT RESPECTIVELY **EXPEL THE USED AIR FROM THE ROOM (UNPLEASANT ODOURS, SMOKE, POLLUTANTS ETC.), AND SIMULTANEOUSLY INTRODUCE FRESH AIR FROM THE OUTSIDE.**

THANKS TO THE EXCHANGER'S SPECIAL STRUCTURE, THE FOUL AIR AND THE FRESH AIR **NEVER COME INTO CONTACT WITH EACH OTHER.**



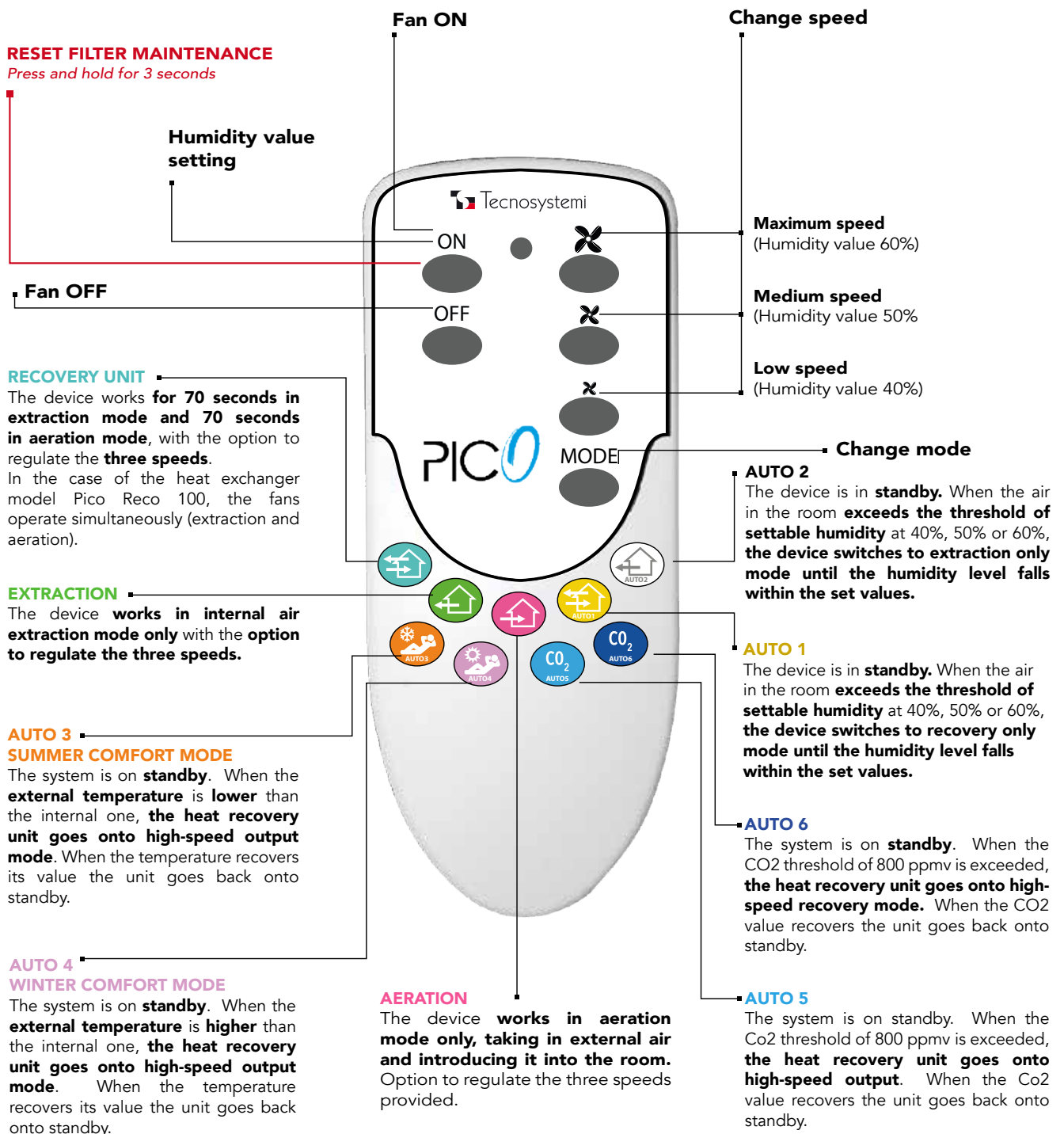
|                 |                                  |
|-----------------|----------------------------------|
| <b>Air flow</b> | 100 mc/h                         |
| <b>Ø hole</b>   | Ø 204                            |
| <b>Versions</b> | WI / WI+Comfort / WI+Comfort+CO2 |



Control through  
**REMOTE CONTROL,  
SMARTPHONES AND TABLETS**  
(OFF-LINE)



## REMOTE CONTROL WITH 4 NEW FUNCTIONS



## EASILY CONTROLLED BY SMARTPHONE AND TABLET



### PRACTICALITY AND CONTROL



#### WI-FI MODE (OFF-LINE)

All Pico Wi functions can also be controlled simply and intuitively via wi-fi from your smartphone or tablet. Just activate the wi-fi function on your device and select Pico Wi to access the system.



### IDEAL TEMPERATURE



#### COMFORT MODE

If the system is set on WINTER COMFORT or SUMMER COMFORT mode, it activates by exploiting the internal and external difference in temperature in order to reach the ideal internal temperature.



### CLEANER AIR



#### CO2 MODE

Select the AUTO 5 or AUTO 6 modes to refresh the internal air and keep the internal environment healthy.

✓ SIMPLE

✓ QUICK

✓ INTUITIVE

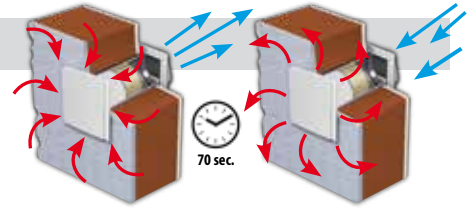
# OPERATING MODES



## REGENERATOR

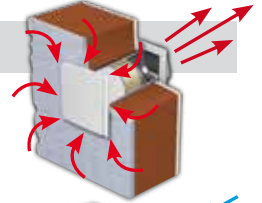
THE DEVICE WORKS FOR 70 SECONDS IN EXTRACTION MODE AND 70 SECONDS IN AERATION MODE, WITH THE OPTION TO REGULATE THE THREE SPEEDS. IN THE CASE OF THE RECOVERY UNIT MODEL PICO RECO 100. THE FANS OPERATE SIMULTANEOUSLY.

(EXTRACTION AND AERATION)



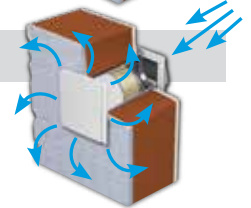
## EXTRACTION

THE DEVICE WORKS IN INTERNAL AIR EXTRACTION MODE ONLY, WITH THE OPTION TO REGULATE THE THREE SPEEDS.



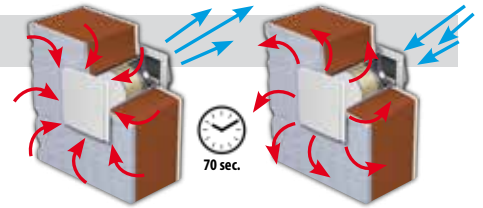
## AERATION

THE DEVICE WORKS IN AERATION MODE ONLY, TAKING IN AIR FROM OUTSIDE AND INTRODUCING IT INTO THE ROOM. OPTION TO REGULATE THE THREE SPEEDS PROVIDED.



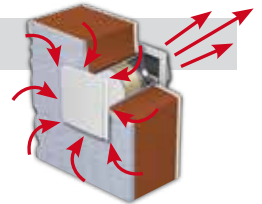
## AUTO1

THE DEVICE IS ON STANDBY. WHEN THE AIR IN THE ROOM EXCEEDS THE HUMIDITY LEVEL, THAT CAN BE SET AT 40%, 50% OR 60%, THE DEVICE GOES ONTO RECOVERY MODE UNTIL THE HUMIDITY RECOVERS ACCORDING TO THE SET VALUE.



## AUTO2

THE DEVICE IS ON STANDBY. WHEN THE AIR IN THE ROOM EXCEEDS THE HUMIDITY LEVEL, THAT CAN BE SET AT 40%, 50% OR 60%, THE DEVICE GOES ONTO EXTRACTION ONLY MODE UNTIL THE HUMIDITY LEVEL RECOVERS ACCORDING TO THE SET VALUE.

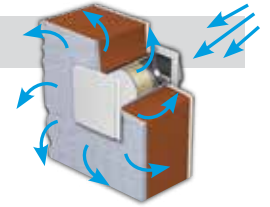


| DESCRIPTION   | REGENERATOR | EXTRACTION |
|---|-------------|------------|
| "PICO HP2 30 WI" WITH EXTERNAL POWER SUPPLY               | X           | X          |
| "PICO HP2 55 WI" WITH EXTERNAL POWER SUPPLY               | X           | X          |
| "PICO HP2 80 WI" WITH EXTERNAL POWER SUPPLY               | X           | X          |
| "PICO HP2 30 WI" WITH BUILT-IN POWER SUPPLY               | X           | X          |
| "PICO HP2 55 WI" WITH BUILT-IN POWER SUPPLY               | X           | X          |
| "PICO HP2 80 WI" WITH BUILT-IN POWER SUPPLY               | X           | X          |
| "PICO HP2 30 WI-C COMFORT" WITH EXTERNAL POWER SUPPLY     | X           | X          |
| "PICO HP2 55 WI-C COMFORT" WITH EXTERNAL POWER SUPPLY     | X           | X          |
| "PICO HP2 80 WI-C COMFORT" WITH EXTERNAL POWER SUPPLY     | X           | X          |
| "PICO HP2 30 WI-C COMFORT" WITH BUILT-IN POWER SUPPLY     | X           | X          |
| "PICO HP2 55 WI-C COMFORT" WITH BUILT-IN POWER SUPPLY     | X           | X          |
| "PICO HP2 80 WI-C COMFORT" WITH BUILT-IN POWER SUPPLY     | X           | X          |
| "PICO HP2 30 WI-C-CO2 COMFORT" WITH EXTERNAL POWER SUPPLY | X           | X          |
| "PICO HP2 55 WI-C-CO2 COMFORT" WITH EXTERNAL POWER SUPPLY | X           | X          |
| "PICO HP2 80 WI-C-CO2 COMFORT" WITH EXTERNAL POWER SUPPLY | X           | X          |
| "PICO HP2 30 WI-C-CO2 COMFORT" WITH BUILT-IN POWER SUPPLY | X           | X          |
| "PICO HP2 55 WI-C-CO2 COMFORT" WITH BUILT-IN POWER SUPPLY | X           | X          |
| "PICO HP2 80 WI-C-CO2 COMFORT" WITH BUILT-IN POWER SUPPLY | X           | X          |
| "PICO RECO 100 WI" WITH EXTERNAL POWER SUPPLY             | X           | X          |
| "PICO RECO 100 WI-C COMFORT" WITH EXTERNAL POWER SUPPLY   | X           | X          |
| "PICO RECO 100 WI-C-CO2" WITH EXTERNAL POWER SUPPLY       | X           | X          |
| "PICO RECO 100 WI" WITH BUILT-IN POWER SUPPLY             | X           | X          |
| "PICO RECO 100 WI-C COMFORT" WITH BUILT-IN POWER SUPPLY   | X           | X          |
| "PICO RECO 100 WI-C-CO2" WITH BUILT-IN POWER SUPPLY       | X           | X          |



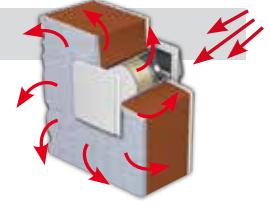
## AUTO3 - SUMMER COMFORT

THE SYSTEM IS ON STANDBY. IF THE EXTERNAL TEMPERATURE IS LOWER THAN THE INTERNAL ONE, THE HEAT RECOVERY UNIT GOES ONTO HIGH-SPEED INTAKE. WHEN THE TEMPERATURE RECOVERS ITS VALUE THE UNIT GOES BACK ONTO STANDBY.



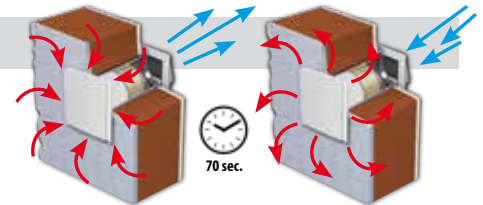
## AUTO4 - WINTER COMFORT

THE SYSTEM IS ON STANDBY. IF THE EXTERNAL TEMPERATURE IS HIGHER THAN THE INTERNAL ONE, THE HEAT RECOVERY UNIT GOES ONTO HIGH-SPEED INTAKE. WHEN THE TEMPERATURE RECOVERS ITS VALUE THE UNIT GOES BACK ONTO STANDBY.



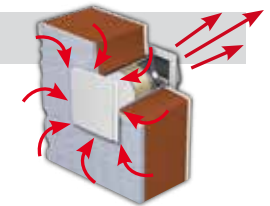
## AUTO5

THE SYSTEM IS ON STANDBY. WHEN THE CO2 THRESHOLD IS EXCEEDED THE HEAT RECOVERY UNIT GOES ONTO HIGH-SPEED RECOVERY. WHEN THE CO2 VALUE RECOVERS THE UNIT GOES BACK ONTO STANDBY.



## AUTO6

THE SYSTEM IS ON STANDBY. WHEN THE CO2 THRESHOLD IS EXCEEDED THE HEAT RECOVERY UNIT GOES ONTO HIGH-SPEED OUTPUT. WHEN THE CO2 VALUE RECOVERS THE UNIT GOES BACK ONTO STANDBY.



## FILTER MAINTENANCE

THE RED FLASHING LED INDICATES THE NEED TO PERFORM THE MAINTENANCE OF FILTERS AND THE HEAT EXCHANGER.



## SETTING THE HUMIDITY VALUE

WHEN THE BLUE LED TURNS ON, IT INDICATES THE ACCESS TO THE HUMIDITY VALUE SETTINGS MODE. IT IS POSSIBLE TO SET THE HUMIDITY THRESHOLD TO THREE DIFFERENT VALUES 40%, 50% O 60%

| AERATION | SETTING HUMIDITY VALUE | WI-FI | AUTO 1 | AUTO 2 | AUTO 3 | AUTO 4 | AUTO 5 | AUTO 6 | INSTRUCTIONS FILTER MAINTENANCE |
|----------|------------------------|-------|--------|--------|--------|--------|--------|--------|---------------------------------|
| X        | X                      | X     | X      | X      |        |        |        |        | X                               |
| X        | X                      | X     | X      | X      |        |        |        |        | X                               |
| X        | X                      | X     | X      | X      |        |        |        |        | X                               |
| X        | X                      | X     | X      | X      |        |        |        |        | X                               |
| X        | X                      | X     | X      | X      |        |        |        |        | X                               |
| X        | X                      | X     | X      | X      | X      | X      |        |        | X                               |
| X        | X                      | X     | X      | X      | X      | X      |        |        | X                               |
| X        | X                      | X     | X      | X      | X      | X      |        |        | X                               |
| X        | X                      | X     | X      | X      | X      | X      |        |        | X                               |
| X        | X                      | X     | X      | X      | X      | X      |        |        | X                               |
| X        | X                      | X     | X      | X      | X      | X      | X      | X      | X                               |
| X        | X                      | X     | X      | X      | X      | X      | X      | X      | X                               |
| X        | X                      | X     | X      | X      | X      | X      | X      | X      | X                               |
| X        | X                      | X     | X      | X      | X      | X      | X      | X      | X                               |
| X        | X                      | X     | X      | X      | X      | X      | X      | X      | X                               |
| X        | X                      | X     | X      | X      | X      | X      | X      | X      | X                               |
| X        | X                      | X     | X      | X      | X      | X      | X      | X      | X                               |
| X        | X                      | X     | X      | X      | X      | X      | X      | X      | X                               |
| X        | X                      | X     | X      | X      | X      | X      | X      | X      | X                               |
| X        | X                      | X     | X      | X      | X      | X      | X      | X      | X                               |
| X        | X                      | X     | X      | X      | X      | X      | X      | X      | X                               |
| X        | X                      | X     | X      | X      | X      | X      | X      | X      | X                               |
| X        | X                      | X     | X      | X      | X      | X      | X      | X      | X                               |
| X        | X                      | X     | X      | X      | X      | X      | X      | X      | X                               |
| X        | X                      | X     | X      | X      | X      | X      | X      | X      | X                               |
| X        | X                      | X     | X      | X      | X      | X      | X      | X      | X                               |
| X        | X                      | X     | X      | X      | X      | X      | X      | X      | X                               |



# "PICO HP2 WI" - WALL-MOUNTED, STATIC INTAKE / EXTRACTOR FAN WITH HEAT RECOVERY, EQUIPPED WITH EXTERNAL POWER SUPPLY OR WITH BUILT-IN POWER SUPPLY

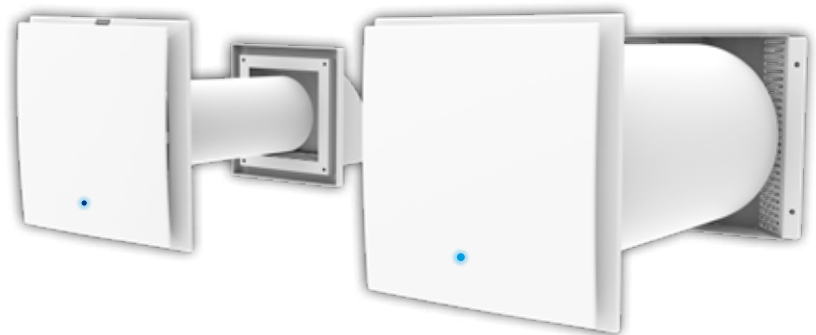
## TECHNICAL FEATURES

- FOR WALL INSTALLATION
- DISTANCE FROM FRONT PANEL TO WALL: 3,5 CM
- AVAILABLE WITH AIR FLOW RATE FROM 30 TO 80 m<sup>3</sup>/h
- WI-FI CONTROL MODE (OFF-LINE) – COMFORT – CO<sub>2</sub>
- 3 SETTINGS OF HUMIDITY THRESHOLD: 40%, 50% AND 60%
- NO FORMATION OF CONDENSATION DURING OPERATION
- HIGH EFFICIENCY HEAT EXCHANGER IN CERAMIC MATERIAL
- THICKNESS: LOWER 5 cm
- WALL OPENING Ø 103-128-153 mm
- EQUIPPED WITH G2 FILTERS
- LOW ENERGY CONSUMPTION FAN
- SUITABLE FOR CONTINUOUS OPERATION
- SUPPLIED WITH REMOTE CONTROL
- COLOURED LEDS FOR SETTINGS DISPLAY
- 3-SPEED OPERATION
- EQUIPPED WITH EXTERNAL POWER SUPPLY /BUILT-IN POWER SUPPLY 230 V
- MINIMUM THICKNESS FOR INSTALLATION: 310 mm

PICO<sup>wi</sup>  
HP2



WI-FI



EFFICIENCY 90%  
PICO HP2 WI  
30 - 55 - 80



WI-FI CONTROL MODE



SEE OPERATION MODES ON PAGES. 12-13

## ACCESSORIES:



SUPPLIED WITH REMOTE CONTROL.  
5 FUNCTIONS



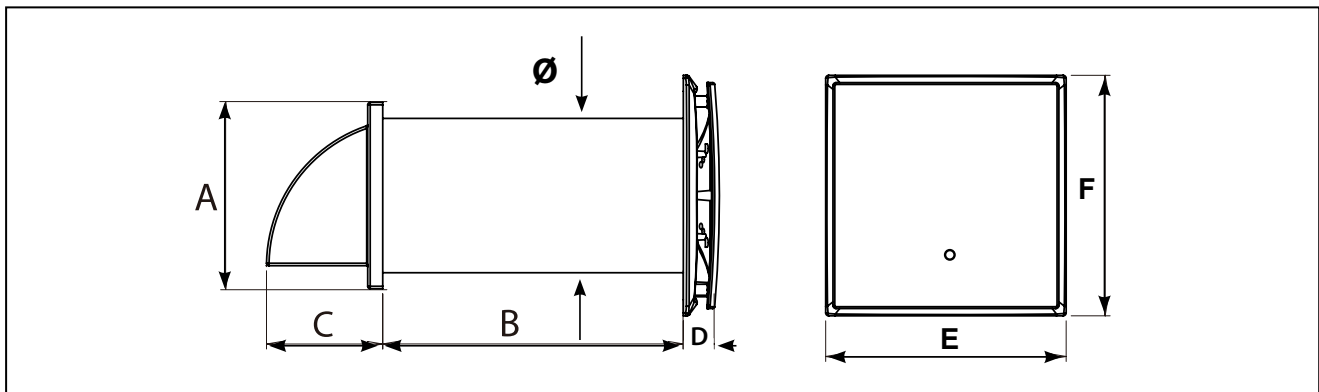
EXTERNAL POWER SUPPLY 230 V



BUILT-IN POWER SUPPLY 230 V

THREE MODULE BUILT-IN BOX NOT INCLUDED





| DIMENSIONS AND MODELS | A    | B    | C    | Ø    | D    | E    | F    |
|-----------------------|------|------|------|------|------|------|------|
|                       | (mm) | (mm) | (mm) | (mm) | (mm) | (mm) | (mm) |
| ACD100001 / ACD100004 | 154  | 500  | 86   | 103  | 35   | 240  | 240  |
| ACD100002 / ACD100005 | 186  | 500  | 101  | 128  | 35   | 240  | 240  |
| ACD100003 / ACD100006 | 186  | 500  | 101  | 153  | 35   | 240  | 240  |

| MODEL                         | PICO HP2 30 WI  |      |      | PICO HP2 55 WI  |      |      | PICO HP2 80 WI  |      |      |
|-------------------------------|-----------------|------|------|-----------------|------|------|-----------------|------|------|
|                               | 1               | 2    | 3    | 1               | 2    | 3    | 1               | 2    | 3    |
| SPEED                         |                 |      |      |                 |      |      |                 |      |      |
| SUPPLY VOLTAGE                | 230 Vac         |      |      |                 |      |      |                 |      |      |
| POWER (W)                     | 1,3             | 1,4  | 1,4  | 1,3             | 1,6  | 2,2  | 1,7             | 2,6  | 3,6  |
| MAXIMUM CURRENT CONSUMED (mA) | 38              | 42   | 47   | 65,5            | 73   | 81   | 162             | 180  | 200  |
| MAXIMUM AIR FLOW RATE (m³/h)  | 23              | 25   | 28   | 23              | 35   | 46   | 39              | 64   | 74   |
| RPM (min-1)                   | 1863            | 2070 | 2300 | 2106            | 2340 | 2600 | 2350            | 2610 | 2900 |
| SOUND PRESSURE AT 1m (dB(A))  | 27              | 28   | 29   | 24              | 28   | 34   | 28              | 35   | 39   |
| SOUND PRESSURE AT 3 m (dB(A)) | 25              | 26   | 27   | 23              | 26   | 32   | 26              | 33   | 37   |
| MAXIMUM AIR TEMPERATURE (°C)  | FROM -10 TO +50 |      |      | FROM -10 TO +50 |      |      | FROM -10 TO +50 |      |      |
| REGENERATOR EFFICIENCY        | ≤90%            |      |      | ≤90%            |      |      | ≤90%            |      |      |
| HEAT EXCHANGE FILL MEDIA      | CERAMIC         |      |      | CERAMIC         |      |      | CERAMIC         |      |      |
| TUBE DIMENSIONS (mm)          | Ø 103           |      |      | Ø 128           |      |      | Ø 153           |      |      |
| PROTECTION                    | IP 24           |      |      | IP 24           |      |      | IP 24           |      |      |

| CODE      | DESCRIPTION  |
|-----------|--|
| ACD100001 | "PICO HP2 30 WI" WALL-MOUNTED, STATIC INTAKE/EXTRACTOR FAN WITH HEAT RECOVERY, EQUIPPED WITH EXTERNAL POWER SUPPLY |
| ACD100002 | "PICO HP2 55 WI" WALL-MOUNTED, STATIC INTAKE/EXTRACTOR FAN WITH HEAT RECOVERY, EQUIPPED WITH EXTERNAL POWER SUPPLY |
| ACD100003 | "PICO HP2 80 WI" WALL-MOUNTED, STATIC INTAKE/EXTRACTOR FAN WITH HEAT RECOVERY, EQUIPPED WITH EXTERNAL POWER SUPPLY |
| ACD100004 | "PICO HP2 30 WI" WALL-MOUNTED, STATIC INTAKE/EXTRACTOR FAN WITH HEAT RECOVERY, EQUIPPED WITH BUILT-IN POWER SUPPLY |
| ACD100005 | "PICO HP2 55 WI" WALL-MOUNTED, STATIC INTAKE/EXTRACTOR FAN WITH HEAT RECOVERY, EQUIPPED WITH BUILT-IN POWER SUPPLY |
| ACD100006 | "PICO HP2 80 WI" WALL-MOUNTED, STATIC INTAKE/EXTRACTOR FAN WITH HEAT RECOVERY, EQUIPPED WITH BUILT-IN POWER SUPPLY |

FOR THE ROUND PIPE EXTENTIONS, SEE PAGE 120 OF THE CATALOGUE "PROJECT WIND"



FOR PICO SPARE PARTS SEE PAGE 33-35

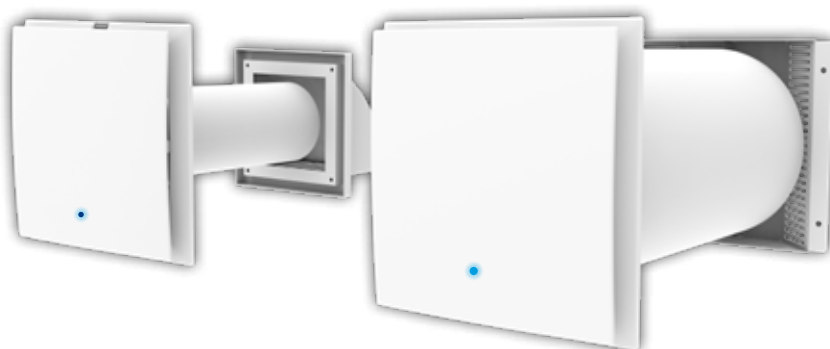
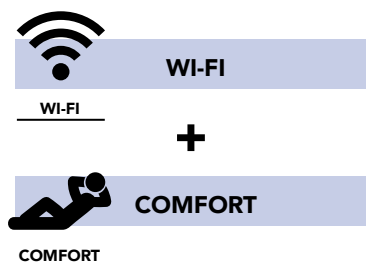
\*POSSIBILITY OF CASCADE CONNECTION SEE PAGE 32

# "COMFORT - PICO HP2 WI-C" - WALL-MOUNTED , STATIC INTAKE/EXTRACTOR FAN WITH HEAT RECOVERY, EQUIPPED WITH EXTERNAL POWER SUPPLY OR WITH BUILT-IN POWER SUPPLY

## TECHNICAL FEATURES

- FOR WALL INSTALLATION
- DISTANCE FROM FRONT PANEL TO WALL: 3,5 cm
- AVAILABLE WITH AIR FLOW RATE FROM 30 TO 80 m<sup>3</sup>/h
- 3 SETTINGS OF HUMIDITY THRESHOLD: 40%, 50% AND 60%
- WI-FI CONTROL MODE (OFF-LINE) – COMFORT
- NO FORMATION OF CONDENSATION DURING OPERATION
- HIGH EFFICIENCY HEAT EXCHANGER IN CERAMIC MATERIAL
- WALL OPENING Ø 103-128-153 mm
- EQUIPPED WITH G2 FILTERS
- LOW ENERGY CONSUMPTION FAN
- SUITABLE FOR CONTINUOUS OPERATION
- SUPPLIED WITH REMOTE CONTROL
- COLOURED LEDS FOR SETTINGS DISPLAY
- 3-SPEED OPERATION
- EQUIPPED WITH EXTERNAL POWER SUPPLY /BUILT-IN POWER SUPPLY 230 V
- MINIMUM THICKNESS FOR INSTALLATION: 310 mm

PICO<sup>wi</sup>  
HP2-C



EFFICIENCY 90%  
PICO HP2 WI-C  
30 - 55 - 80



WI-FI CONTROL MODE

✓ SEE OPERATION MODES ON PAGES. 12-13

## ACCESSORIES:



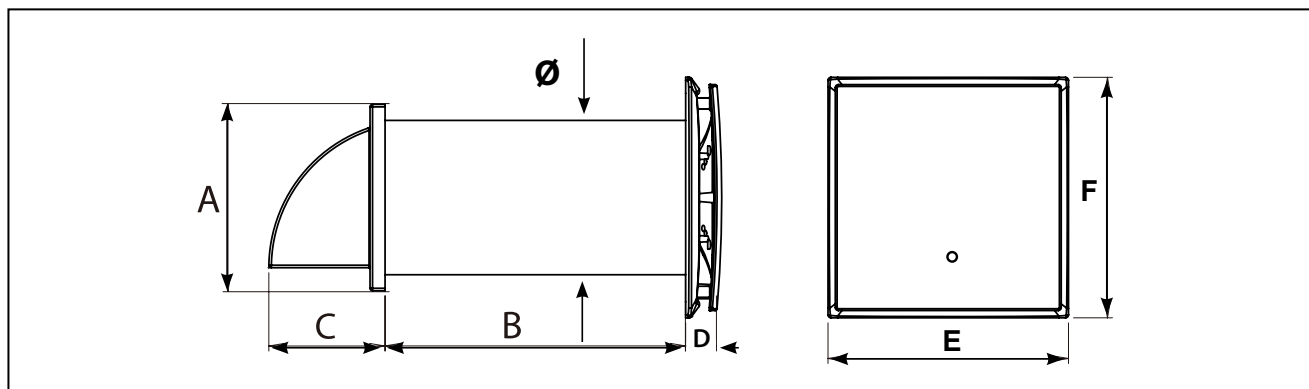
SUPPLIED WITH REMOTE CONTROL.  
7 FUNCTIONS



EXTERNAL POWER SUPPLY 230 V



BUILT-IN POWER SUPPLY 230 V  
THREE MODULE BUILT-IN BOX NOT INCLUDED



| DIMENSIONS AND MODELS | A    | B    | C    | Ø    | D    | E    | F    |
|-----------------------|------|------|------|------|------|------|------|
|                       | (mm) | (mm) | (mm) | (mm) | (mm) | (mm) | (mm) |
| ACD100007 / ACD100010 | 154  | 500  | 86   | 103  | 35   | 240  | 240  |
| ACD100008 / ACD100011 | 186  | 500  | 101  | 128  | 35   | 240  | 240  |
| ACD100009 / ACD100012 | 186  | 500  | 101  | 153  | 35   | 240  | 240  |

| MODEL                         | PICO HP2 30 WI-C |      |      | PICO HP2 55 WI-C |      |      | PICO HP2 80 WI-C |      |      |
|-------------------------------|------------------|------|------|------------------|------|------|------------------|------|------|
|                               | 1                | 2    | 3    | 1                | 2    | 3    | 1                | 2    | 3    |
| SPEED                         |                  |      |      |                  |      |      |                  |      |      |
| SUPPLY VOLTAGE                | 230 Vac          |      |      |                  |      |      |                  |      |      |
| POWER (W)                     | 1,3              | 1,4  | 1,4  | 1,3              | 1,6  | 2,2  | 1,7              | 2,6  | 3,6  |
| MAXIMUM CURRENT CONSUMED (mA) | 38               | 42   | 47   | 65,5             | 73   | 81   | 162              | 180  | 200  |
| MAXIMUM AIR FLOW RATE (m³/h)  | 23               | 25   | 28   | 23               | 35   | 46   | 39               | 64   | 74   |
| RPM (min-1)                   | 1863             | 2070 | 2300 | 2106             | 2340 | 2600 | 2350             | 2610 | 2900 |
| SOUND PRESSURE AT 1m (dB(A))  | 27               | 28   | 29   | 24               | 28   | 34   | 28               | 35   | 39   |
| SOUND PRESSURE AT 3 m (dB(A)) | 25               | 26   | 27   | 23               | 26   | 32   | 26               | 33   | 37   |
| MAXIMUM AIR TEMPERATURE (°C)  | FROM -10 TO +50  |      |      | FROM -10 TO +50  |      |      | FROM -10 TO +50  |      |      |
| REGENERATOR EFFICIENCY        | ≤90%             |      |      | ≤90%             |      |      | ≤90%             |      |      |
| HEAT EXCHANGE FILL MEDIA      | CERAMIC          |      |      | CERAMIC          |      |      | CERAMIC          |      |      |
| TUBE DIMENSIONS (mm)          | Ø 103            |      |      | Ø 128            |      |      | Ø 153            |      |      |
| PROTECTION                    | IP 24            |      |      | IP 24            |      |      | IP 24            |      |      |

| CODE      | DESCRIPTION   |
|-----------|---|
| ACD100007 | "COMFORT - PICO HP2 30 WI-C" WALL-MOUNTED , STATIC INTAKE/EXTRACTOR FAN WITH HEAT RECOVERY, EQUIPPED WITH EXTERNAL POWER SUPPLY |
| ACD100008 | "COMFORT - PICO HP2 55 WI-C" WALL-MOUNTED , STATIC INTAKE/EXTRACTOR FAN WITH HEAT RECOVERY, EQUIPPED WITH EXTERNAL POWER SUPPLY |
| ACD100009 | "COMFORT - PICO HP2 80 WI-C" WALL-MOUNTED , STATIC INTAKE/EXTRACTOR FAN WITH HEAT RECOVERY, EQUIPPED WITH EXTERNAL POWER SUPPLY |
| ACD100010 | "COMFORT - PICO HP2 30 WI-C" WALL-MOUNTED , STATIC INTAKE/EXTRACTOR FAN WITH HEAT RECOVERY, EQUIPPED WITH BUILT-IN POWER SUPPLY |
| ACD100011 | "COMFORT - PICO HP2 55 WI-C" WALL-MOUNTED , STATIC INTAKE/EXTRACTOR FAN WITH HEAT RECOVERY, EQUIPPED WITH BUILT-IN POWER SUPPLY |
| ACD100012 | "COMFORT - PICO HP2 80 WI-C" WALL-MOUNTED , STATIC INTAKE/EXTRACTOR FAN WITH HEAT RECOVERY, EQUIPPED WITH BUILT-IN POWER SUPPLY |

FOR THE ROUND PIPE EXTENTIONS, SEE PAGE 120 OF THE CATALOGUE "PROJECT WIND"



FOR PICO SPARE PARTS SEE PAGE 33-35

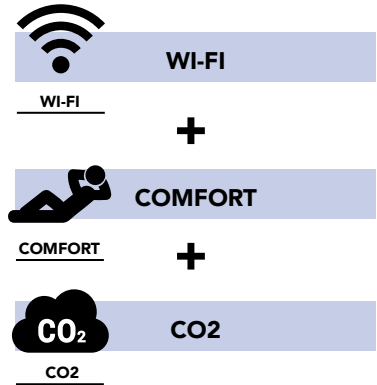
\*POSSIBILITY OF CASCADE CONNECTION SEE PAGE 32

# "COMFORT+CO2 - PICO HP2 WI-C-CO2" - WALL-MOUNTED, STATIC INTAKE/EXTRACTOR FAN WITH HEAT RECOVERY, EQUIPPED WITH EXTERNAL POWER SUPPLY OR WITH BUILT-IN POWER SUPPLY

## TECHNICAL FEATURES

- FOR WALL INSTALLATION
- DISTANCE FROM FRONT PANEL TO WALL: 3,5 cm
- AVAILABLE WITH AIR FLOW RATE FROM 30 TO 80 m<sup>3</sup>/h
- 3 SETTINGS OF HUMIDITY THRESHOLD: 40%, 50% AND 60%
- WI-FI CONTROL MODE (OFF-LINE) – COMFORT - CO2
- NO FORMATION OF CONDENSATION DURING OPERATION
- HIGH EFFICIENCY HEAT EXCHANGER IN CERAMIC MATERIAL
- WALL OPENING Ø 103-128-153 mm
- EQUIPPED WITH G2 FILTERS
- LOW ENERGY CONSUMPTION FAN
- SUITABLE FOR CONTINUOUS OPERATION
- SUPPLIED WITH REMOTE CONTROL
- COLOURED LEDS FOR SETTINGS DISPLAY
- 3-SPEED OPERATION
- EQUIPPED WITH EXTERNAL POWER SUPPLY/BUILT-IN POWER SUPPLY 230 V
- MINIMUM THICKNESS FOR INSTALLATION: 310 mm

PICO<sup>wi</sup>  
HP2 - C - CO2



EFFICIENCY 90%  
PICO HP2 WI-C-CO2  
30 - 55 - 80



WI-FI CONTROL MODE

✓ SEE OPERATION MODES ON PAGES. 12-13

## ACCESSORIES:



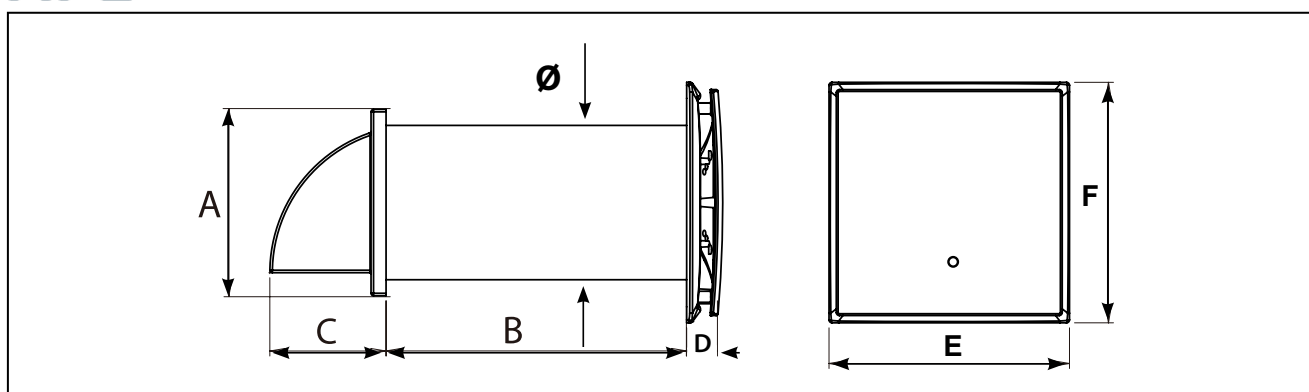
SUPPLIED WITH REMOTE CONTROL.  
9 FUNCTIONS



EXTERNAL POWER SUPPLY 230 V



BUILT-IN POWER SUPPLY 230 V  
THREE MODULE BUILT-IN BOX NOT INCLUDED



| DIMENSIONS AND MODELS | A    | B    | C    | Ø    | D    | E    | F    |
|-----------------------|------|------|------|------|------|------|------|
|                       | (mm) | (mm) | (mm) | (mm) | (mm) | (mm) | (mm) |
| ACD100013 / ACD100016 | 154  | 500  | 86   | 103  | 35   | 240  | 240  |
| ACD100014 / ACD100017 | 186  | 500  | 101  | 128  | 35   | 240  | 240  |
| ACD100015 / ACD100018 | 186  | 500  | 101  | 153  | 35   | 240  | 240  |

| MODEL                                     | PICO HP2 30 WI-C-CO2 |      |      | PICO HP2 55 WI-C-CO2 |      |      | PICO HP2 80 WI-C-CO2 |      |      |
|---|----------------------|------|------|----------------------|------|------|----------------------|------|------|
|   | 1                    | 2    | 3    | 1                    | 2    | 3    | 1                    | 2    | 3    |
| SPEED                                     | 230 Vac              |      |      |                      |      |      |                      |      |      |
| SUPPLY VOLTAGE                            | 230 Vac              |      |      |                      |      |      |                      |      |      |
| POWER (W)                                 | 1,3                  | 1,4  | 1,4  | 1,3                  | 1,6  | 2,2  | 1,7                  | 2,6  | 3,6  |
| MAXIMUM CURRENT CONSUMED (mA)             | 38                   | 42   | 47   | 65,5                 | 73   | 81   | 162                  | 180  | 200  |
| MAXIMUM AIR FLOW RATE (m <sup>3</sup> /h) | 23                   | 25   | 28   | 23                   | 35   | 46   | 39                   | 64   | 74   |
| RPM (min-1)                               | 1863                 | 2070 | 2300 | 2106                 | 2340 | 2600 | 2350                 | 2610 | 2900 |
| SOUND PRESSURE AT 1m (dB(A))              | 27                   | 28   | 29   | 24                   | 28   | 34   | 28                   | 35   | 39   |
| SOUND PRESSURE AT 3 m (dB(A))             | 25                   | 26   | 27   | 23                   | 26   | 32   | 26                   | 33   | 37   |
| MAXIMUM AIR TEMPERATURE (°C)              | FROM -10 TO +50      |      |      | FROM -10 TO +50      |      |      | FROM -10 TO +50      |      |      |
| REGENERATOR EFFICIENCY                    | ≤90%                 |      |      | ≤90%                 |      |      | ≤90%                 |      |      |
| HEAT EXCHANGE FILL MEDIA                  | CERAMIC              |      |      | CERAMIC              |      |      | CERAMIC              |      |      |
| TUBE DIMENSIONS (mm)                      | Ø 103                |      |      | Ø 128                |      |      | Ø 153                |      |      |
| PROTECTION                                | IP 24                |      |      | IP 24                |      |      | IP 24                |      |      |

| CODE      | DESCRIPTION  |
|-----------|--|
| ACD100013 | "COMFORT+CO2 - PICO HP2 30 WI-C CO2" WALL-MOUNTED, STATIC INTAKE/EXTRACTOR FAN WITH HEAT RECOVERY, EQUIPPED WITH EXTERNAL POWER SUPPLY |
| ACD100014 | "COMFORT+CO2 - PICO HP2 55 WI-C CO2" WALL-MOUNTED, STATIC INTAKE/EXTRACTOR FAN WITH HEAT RECOVERY, EQUIPPED WITH EXTERNAL POWER SUPPLY |
| ACD100015 | "COMFORT+CO2 - PICO HP2 80 WI-C CO2" WALL-MOUNTED, STATIC INTAKE/EXTRACTOR FAN WITH HEAT RECOVERY, EQUIPPED WITH EXTERNAL POWER SUPPLY |
| ACD100016 | "COMFORT+CO2 - PICO HP2 30 WI-C-CO2" WALL-MOUNTED, STATIC INTAKE/EXTRACTOR FAN WITH HEAT RECOVERY, EQUIPPED WITH BUILT-IN POWER SUPPLY |
| ACD100017 | "COMFORT+CO2 - PICO HP2 55 WI-C-CO2" WALL-MOUNTED, STATIC INTAKE/EXTRACTOR FAN WITH HEAT RECOVERY, EQUIPPED WITH BUILT-IN POWER SUPPLY |
| ACD100018 | "COMFORT+CO2 - PICO HP2 80 WI-C-CO2" WALL-MOUNTED, STATIC INTAKE/EXTRACTOR FAN WITH HEAT RECOVERY, EQUIPPED WITH BUILT-IN POWER SUPPLY |

FOR THE ROUND PIPE EXTENTIONS, SEE PAGE 120 OF THE CATALOGUE "PROJECT WIND"



FOR PICO SPARE PARTS SEE PAGE 33-35

\*POSSIBILITY OF CASCADE CONNECTION SEE PAGE 32

# "PICO RECO 100 WI" - WALL-MOUNTED CROSS FLOW STATIC INTAKE EXTRACTOR FAN WITH HEAT RECOVERY EQUIPPED WITH EXTERNAL POWER SUPPLY OR WITH BUILT-IN POWER SUPPLY

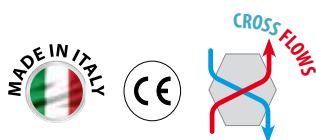
## TECHNICAL FEATURES

- FOR WALL INSTALLATION
- DISTANCE FROM FRONT PANEL TO WALL: 3,5 cm
- 3 SETTINGS OF HUMIDITY THRESHOLD: 40%, 50% AND 60%
- WI-FI CONTROL MODE (OFF-LINE)
- NO FORMATION OF CONDENSATION DURING OPERATION
- HIGH-EFFICIENCY CROSS FLOW POLYESTER HEAT EXCHANGER
- WALL OPENING Ø 204 mm
- EQUIPPED WITH G2 FILTERS
- LOW ENERGY CONSUMPTION FAN
- SUITABLE FOR CONTINUOUS OPERATION
- SUPPLIED WITH REMOTE CONTROL
- 3-SPEED OPERATION
- COLOURED LEDS FOR SETTINGS DISPLAY
- EQUIPPED WITH EXTERNAL POWER SUPPLY /BUILT-IN POWER SUPPLY 230 V
- MINIMUM THICKNESS FOR INSTALLATION: 370 mm

PICO<sup>wi</sup>  
RECO 100



WI-FI



EFFICIENCY 96%  
PICO RECO 100 WI



WI-FI CONTROL MODE

✓ SEE OPERATION MODES ON PAGES. 12-13

## ACCESSORIES:



SUPPLIED WITH REMOTE CONTROL.  
5 FUNCTIONS



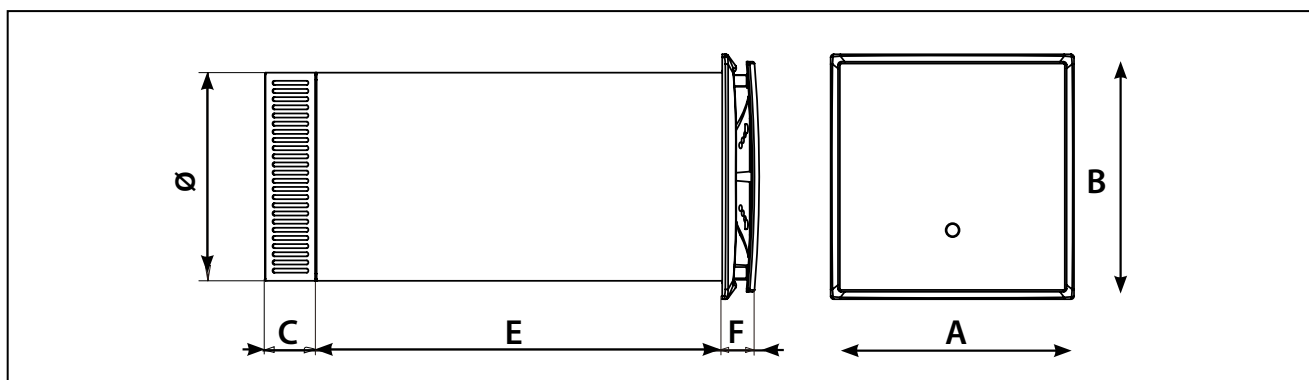
EXTERNAL POWER SUPPLY 230 V



BUILT-IN POWER SUPPLY 230 V

THREE MODULE BUILT-IN BOX NOT INCLUDED





| DIMENSIONS AND MODELS | A    | B    | C    | Ø    | E    | F    |
|-----------------------|------|------|------|------|------|------|
|                       | (mm) | (mm) | (mm) | (mm) | (mm) | (mm) |
| ACD100019             | 240  | 240  | 51   | 204  | 500  | 35   |
| ACD100020             | 240  | 240  | 51   | 204  | 500  | 35   |

| MODEL                                     | PICO RECO 100        |        |        |
|---|----------------------|--------|--------|
| SPEED                                     | MIN. 1               | MED. 2 | MAX. 3 |
| SUPPLY VOLTAGE                            | 230 Vac              |        |        |
| POWER (W)                                 | 6,6                  | 7,7    | 8,4    |
| MAXIMUM CURRENT CONSUMED (mA)             | 550                  | 640    | 700    |
| MAXIMUM AIR FLOW RATE (m <sup>3</sup> /h) | 70                   | 81     | 91     |
| RPM (min-1)                               | 3395                 | 4070   | 4500   |
| SOUND PRESSURE AT 1m (dB(A))              | 46                   | 48     | 50     |
| SOUND PRESSURE AT 3 m (dB(A))             | 43                   | 46     | 47     |
| MAXIMUM AIR TEMPERATURE (°C)              | FROM -10 °C TO +50°C |        |        |
| REGENERATOR EFFICIENCY                    | ≤95%                 |        |        |
| HEAT EXCHANGE FILL MEDIA                  | POLYESTER            |        |        |
| TUBE DIMENSIONS (mm)                      | Ø 204                |        |        |
| PROTECTION                                | IP 24                |        |        |

| CODE      | DESCRIPTION   |
|-----------|---|
| ACD100019 | "PICO RECO 100 WI" WALL-MOUNTED CROSS FLOW STATIC INTAKE EXTRACTOR FAN WITH HEAT RECOVERY EQUIPPED WITH EXTERNAL POWER SUPPLY |
| ACD100020 | "PICO RECO 100 WI" WALL-MOUNTED CROSS FLOW STATIC INTAKE EXTRACTOR FAN WITH HEAT RECOVERY EQUIPPED WITH BUILT-IN POWER SUPPLY |
| 11161370T | ROUND PIPE WITH FLOW DEFLECTOR "TT200" Ø200 - L. 1500   |



FOR PICO SPARE PARTS SEE PAGE 33-35

\*POSSIBILITY OF CASCADE CONNECTION SEE PAGE 32

# "COMFORT - PICO RECO 100 WI-C" - WALL-MOUNTED CROSS FLOW STATIC INTAKE EXTRACTOR FAN WITH HEAT RECOVERY EQUIPPED WITH EXTERNAL POWER SUPPLY OR WITH BUILT-IN POWER SUPPLY

## TECHNICAL FEATURES

- FOR WALL INSTALLATION
- DISTANCE FROM FRONT PANEL TO WALL: 3,5 CM
- 3 SETTINGS OF HUMIDITY THRESHOLD: 40%, 50% AND 60%
- WI-FI CONTROL MODE (OFF-LINE) – COMFORT
- NO FORMATION OF CONDENSATION DURING OPERATION
- HIGH-EFFICIENCY CROSS FLOW POLYESTER HEAT EXCHANGER
- WALL OPENING Ø 204 mm
- EQUIPPED WITH G2 FILTERS
- LOW ENERGY CONSUMPTION FAN
- SUITABLE FOR CONTINUOUS OPERATION
- SUPPLIED WITH REMOTE CONTROL
- 3-SPEED OPERATION
- COLOURED LEDS FOR SETTINGS DISPLAY
- EQUIPPED WITH EXTERNAL POWER SUPPLY/BUILT-IN POWER SUPPLY 230 V
- MINIMUM THICKNESS FOR INSTALLATION: 370 mm

PICO<sup>wi</sup>  
RECO 100 - C



WI-FI

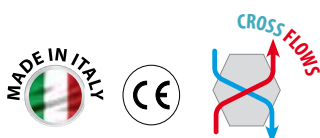
WI-FI

+



COMFORT

COMFORT



EFFICIENCY 96%  
PICO RECO 100 WI-C



WI-FI CONTROL MODE

✓ SEE OPERATION MODES ON PAGES. 12-13

## ACCESSORIES:



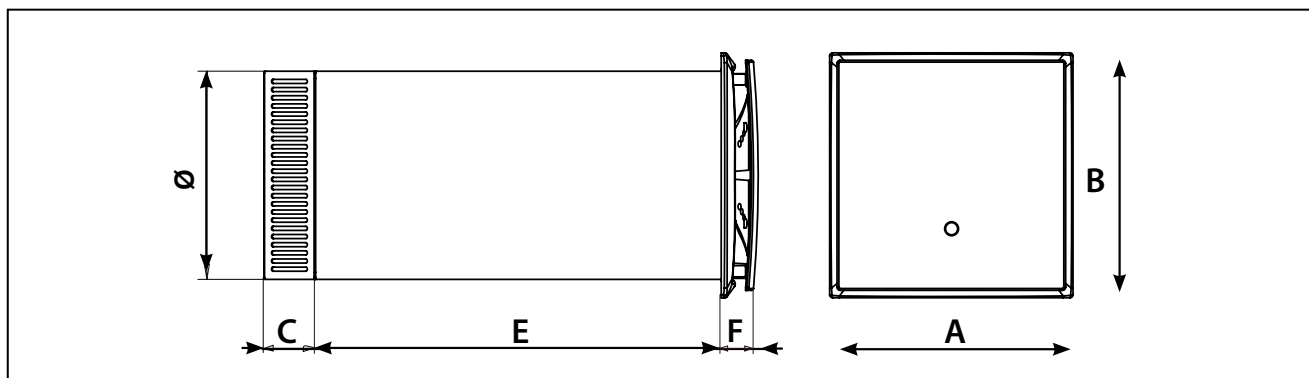
SUPPLIED WITH REMOTE CONTROL.  
7 FUNCTIONS



EXTERNAL POWER SUPPLY 230 V



BUILT-IN POWER SUPPLY 230 V  
THREE MODULE BUILT-IN BOX NOT INCLUDED



| DIMENSIONS AND MODELS | A    | B    | C    | Ø    | E    | F    |
|-----------------------|------|------|------|------|------|------|
|                       | (mm) | (mm) | (mm) | (mm) | (mm) | (mm) |
| ACD100021             | 240  | 240  | 51   | 204  | 500  | 35   |
| ACD100022             | 240  | 240  | 51   | 204  | 500  | 35   |

| MODEL                                     | PICO RECO 100        |        |        |
|---|----------------------|--------|--------|
| SPEED                                     | MIN. 1               | MED. 2 | MAX. 3 |
| SUPPLY VOLTAGE                            | 230 Vac              |        |        |
| POWER (W)                                 | 6,6                  | 7,7    | 8,4    |
| MAXIMUM CURRENT CONSUMED (mA)             | 550                  | 640    | 700    |
| MAXIMUM AIR FLOW RATE (m <sup>3</sup> /h) | 70                   | 81     | 91     |
| RPM (min <sup>-1</sup> )                  | 3395                 | 4070   | 4500   |
| SOUND PRESSURE AT 1m (dB(A))              | 46                   | 48     | 50     |
| SOUND PRESSURE AT 3 m (dB(A))             | 43                   | 46     | 47     |
| MAXIMUM AIR TEMPERATURE (°C)              | FROM -10 °C TO +50°C |        |        |
| REGENERATOR EFFICIENCY                    | ≤95%                 |        |        |
| HEAT EXCHANGE FILL MEDIA                  | POLYESTER            |        |        |
| TUBE DIMENSIONS (mm)                      | Ø 204                |        |        |
| PROTECTION                                | IP 24                |        |        |

| CODE      | DESCRIPTION   |
|-----------|---|
| ACD100021 | "COMFORT - PICO RECO 100 WI-C" WALL-MOUNTED CROSS FLOW STATIC INTAKE EXTRACTOR FAN WITH HEAT RECOVERY EQUIPPED WITH EXTERNAL POWER SUPPLY |
| ACD100022 | "COMFORT - PICO RECO 100 WI-C" WALL-MOUNTED CROSS FLOW STATIC INTAKE EXTRACTOR FAN WITH HEAT RECOVERY EQUIPPED WITH BUILT-IN POWER SUPPLY |
| 11161370T | ROUND PIPE WITH FLOW DEFLECTOR "TT200" Ø200 - L. 1500   |



FOR PICO SPARE PARTS SEE PAGE 33-35

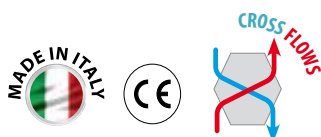
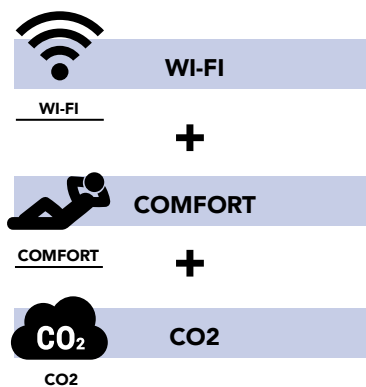
\*POSSIBILITY OF CASCADE CONNECTION SEE PAGE 32

# "COMFORT +CO2 PICO RECO 100 WI-C-CO2" - WALL-MOUNTED CROSS FLOW STATIC INTAKE EXTRACTOR FAN WITH HEAT RECOVERY EQUIPPED WITH EXTERNAL POWER SUPPLY OR WITH BUILT-IN POWER SUPPLY

## TECHNICAL FEATURES

- FOR WALL INSTALLATION
- DISTANCE FROM FRONT PANEL TO WALL: 3,5 CM
- 3 SETTINGS OF HUMIDITY THRESHOLD: 40%, 50% AND 60%
- WI-FI CONTROL MODE (OFF-LINE) – COMFORT - CO2
- NO FORMATION OF CONDENSATION DURING OPERATION
- HIGH-EFFICIENCY CROSS FLOW POLYESTER HEAT EXCHANGER
- WALL OPENING Ø 204 mm
- EQUIPPED WITH G2 FILTERS
- LOW ENERGY CONSUMPTION FAN
- SUITABLE FOR CONTINUOUS OPERATION
- SUPPLIED WITH REMOTE CONTROL
- 3-SPEED OPERATION
- COLOURED LEDS FOR SETTINGS DISPLAY
- EQUIPPED WITH EXTERNAL POWER SUPPLY/BUILT-IN POWER SUPPLY 230 V
- MINIMUM THICKNESS FOR INSTALLATION: 370 mm

PICO<sup>wi</sup>  
RECO 100 - C - CO2



EFFICIENCY 96%  
PICO RECO 100 WI-C-CO2



## WI-FI CONTROL MODE

✓ SEE OPERATION MODES ON PAGES. 12-13

## ACCESSORIES:



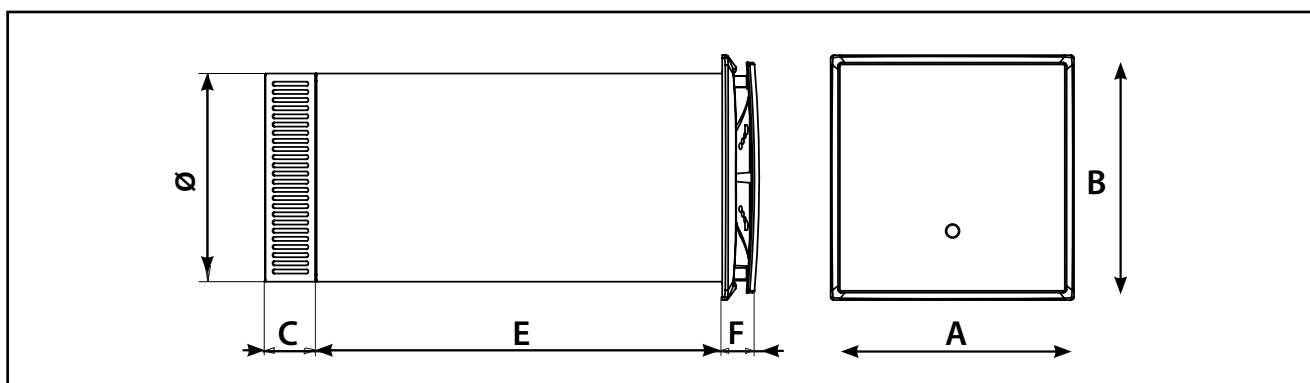
SUPPLIED WITH REMOTE CONTROL.  
9 FUNCTIONS



EXTERNAL POWER SUPPLY 230 V



BUILT-IN POWER SUPPLY 230 V  
THREE MODULE BUILT-IN BOX NOT INCLUDED



| DIMENSIONS AND MODELS | A    | B    | C    | Ø    | E    | F    |
|-----------------------|------|------|------|------|------|------|
|                       | (mm) | (mm) | (mm) | (mm) | (mm) | (mm) |
| ACD100023             | 240  | 240  | 51   | 204  | 500  | 35   |
| ACD100024             | 240  | 240  | 51   | 204  | 500  | 35   |

| MODEL                                     | PICO RECO 100        |        |        |
|---|----------------------|--------|--------|
| SPEED                                     | MIN. 1               | MED. 2 | MAX. 3 |
| SUPPLY VOLTAGE                            | 230 Vac              |        |        |
| POWER (W)                                 | 6,6                  | 7,7    | 8,4    |
| MAXIMUM CURRENT CONSUMED (mA)             | 550                  | 640    | 700    |
| MAXIMUM AIR FLOW RATE (m <sup>3</sup> /h) | 70                   | 81     | 91     |
| RPM (min-1)                               | 3395                 | 4070   | 4500   |
| SOUND PRESSURE AT 1m (dB(A))              | 46                   | 48     | 50     |
| SOUND PRESSURE AT 3 m (dB(A))             | 43                   | 46     | 47     |
| MAXIMUM AIR TEMPERATURE (°C)              | FROM -10 °C TO +50°C |        |        |
| REGENERATOR EFFICIENCY                    | ≤95%                 |        |        |
| HEAT EXCHANGE FILL MEDIA                  | POLYESTER            |        |        |
| TUBE DIMENSIONS (mm)                      | Ø 204                |        |        |
| PROTECTION                                | IP 24                |        |        |

| CODE      | DESCRIPTION   |
|-----------|---|
| ACD100023 | "COMFORT+CO2 - PICO RECO 100 WI-C-CO2" WALL-MOUNTED CROSS FLOW STATIC INTAKE EXTRACTOR FAN WITH HEAT RECOVERY EQUIPPED WITH EXTERNAL POWER SUPPLY |
| ACD100024 | "COMFORT+CO2 - PICO RECO 100 WI-C-CO2" WALL-MOUNTED CROSS FLOW STATIC INTAKE EXTRACTOR FAN WITH BUILT-IN POWER SUPPLY                             |
| 11161370T | ROUND PIPE WITH FLOW DEFLECTOR "TT200" Ø200 - L. 1500   |



FOR PICO SPARE PARTS SEE PAGE 33-35

\*POSSIBILITY OF CASCADE CONNECTION SEE PAGE 32

# PICO<sup>wi</sup> CLEAN

***MORE SIMPLE  
AND ECONOMIC!***



**IDEAL FOR:**



**LIVING ROOMS - BATHROOMS  
KITCHENS - BEDROOMS - CELLARS**



# PICO<sub>wi</sub> CLEAN

ANTI  
MOULD  
TECHNOLOGICAL

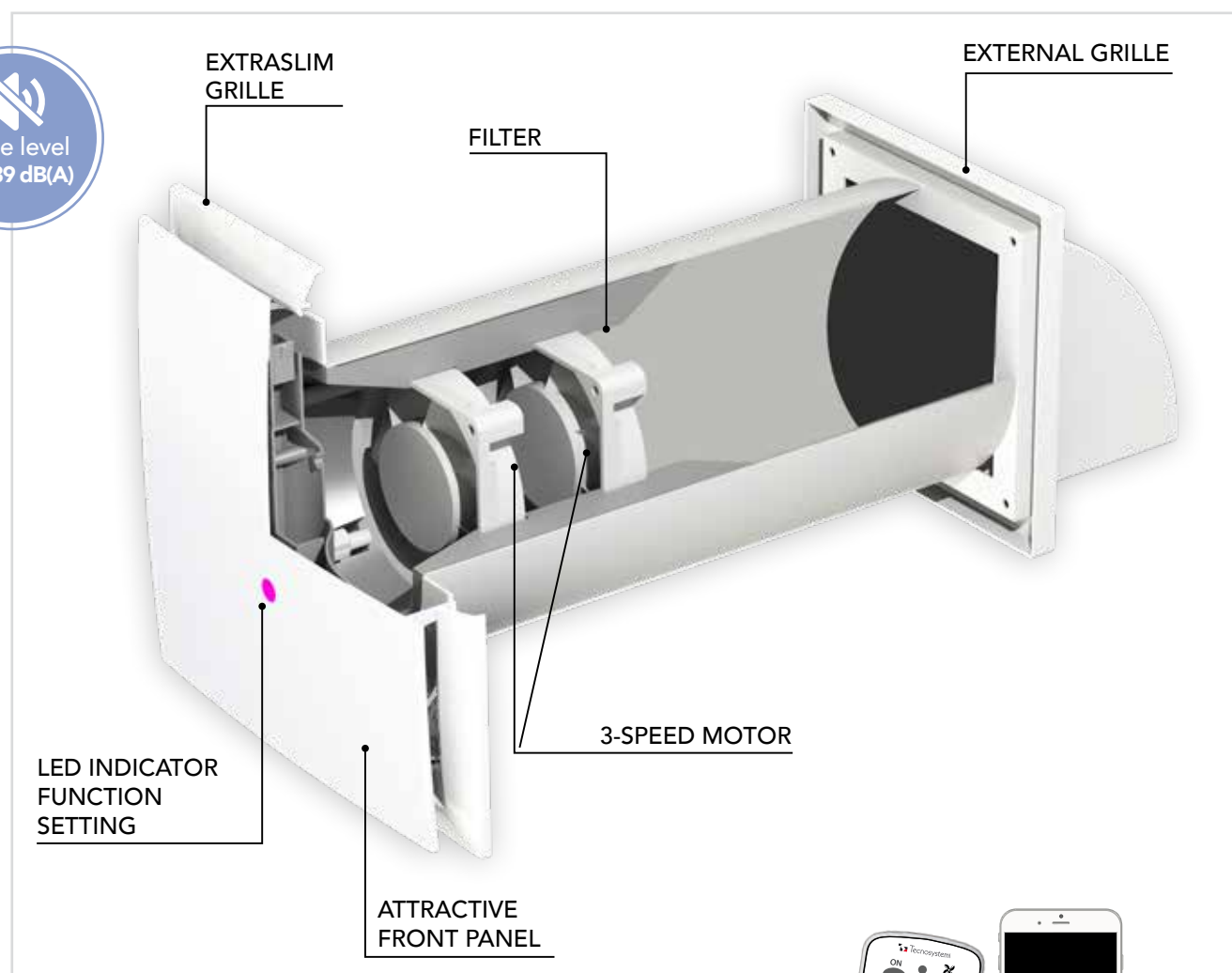


## WALL - MOUNTED INTAKE/EXTRACT FAN

THANKS TO ITS REVERSIBLE FUNCTION, THE PICO CLEAN INTAKE/EXTRACTION FAN **CREATES A COMFORTABLE MICRO-CLIMATE, WHILE AT THE SAME TIME ALLOWING AIR EXCHANGE IN HOMES.**

PICO CLEAN **REPRESENTS THE BEST SOLUTION** FOR ENERGY SAVINGS AND VENTILATION IN THE HOME OR OFFICE.

**PICO CLEAN IS EASY TO INSTALL AND MAINTAIN.** IT ALSO FEATURES A SILENT FUNCTION.



|                 |                   |
|-----------------|-------------------|
| <b>Air Flow</b> | 30 - 55 - 80 mc/h |
| <b>Ø hole</b>   | Ø 103 - 128 - 153 |
| <b>Versions</b> | WI                |



INTEGRATED  
WI FI



HUMIDISTAT  
INTEGRATED



Control through  
**REMOTE CONTROL,  
SMARTPHONES AND TABLETS**  
(OFF-LINE)



# "PICO CLEAN WI" - WALL-MOUNTED, INTAKE/EXTRACTOR FAN, EQUIPPED WITH EXTERNAL POWER SUPPLY OR WITH BUILT-IN POWER SUPPLY

## TECHNICAL FEATURES

- FOR WALL INSTALLATION
- DISTANCE FROM FRONT PANEL TO WALL : 3,5 cm
- AVAILABLE WITH AIR FLOW RATE FROM 30 TO 80 m3/h
- 3 SETTINGS OF HUMIDITY THRESHOLD: 40%, 50% AND 60%
- WI-FI CONTROL MODE (OFF-LINE)
- NO FORMATION OF CONDENSATION DURING OPERATION
- WALL OPENING Ø 103 - 128 - 153 mm
- EQUIPPED WITH G2 FILTERS
- LOW ENERGY CONSUMPTION FAN
- SUITABLE FOR CONTINUOUS OPERATION
- SUPPLIED WITH REMOTE CONTROL
- 3-SPEED OPERATION
- COLOURED LEDS FOR SETTINGS DISPLAY
- EQUIPPED WITH EXTERNAL POWER SUPPLY/BUILT-IN POWER SUPPLY 230 V
- MINIMUM THICKNESS FOR INSTALLATION: 310 mm

# PICO CLEAN

wi



WI-FI



WI-FI CONTROL MODE

✓ SEE OPERATION MODES ON PAGES. 12-13

## ACCESSORIES:



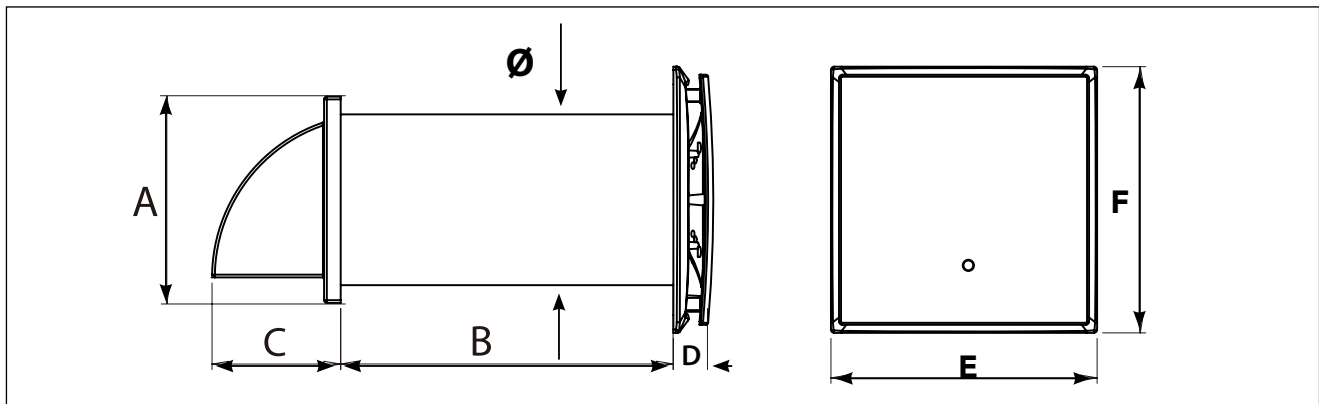
SUPPLIED WITH  
REMOTE CONTROL



EXTERNAL POWER  
SUPPLY 230 V



BUILT-IN POWER SUPPLY  
230 V  
THREE MODULE BUILT-IN BOX  
NOT INCLUDED



| DIMENSIONS AND MODELS | A    | B    | C    | Ø    | D    | E    | F    |
|-----------------------|------|------|------|------|------|------|------|
|                       | (mm) | (mm) | (mm) | (mm) | (mm) | (mm) | (mm) |
| ACD100025 / ACD100028 | 154  | 500  | 86   | 103  | 35   | 240  | 240  |
| ACD100026 / ACD100029 | 186  | 500  | 101  | 128  | 35   | 240  | 240  |
| ACD100027 / ACD100030 | 186  | 500  | 101  | 153  | 35   | 240  | 240  |

| MODEL                         | PICO CLEAN 30 WI |      |      | PICO CLEAN 55 WI |      |      | PICO CLEAN 80 WI |      |      |
|-------------------------------|------------------|------|------|------------------|------|------|------------------|------|------|
|                               | 1                | 2    | 3    | 1                | 2    | 3    | 1                | 2    | 3    |
| SPEED                         |                  |      |      |                  |      |      |                  |      |      |
| SUPPLY VOLTAGE                | 230 Vac          |      |      |                  |      |      |                  |      |      |
| POWER (W)                     | 1,3              | 1,4  | 1,4  | 1,3              | 1,6  | 2,2  | 1,7              | 2,6  | 3,6  |
| MAXIMUM CURRENT CONSUMED (mA) | 38               | 42   | 47   | 65,5             | 73   | 81   | 162              | 180  | 200  |
| MAXIMUM AIR FLOW RATE (m³/h)  | 23               | 25   | 28   | 23               | 35   | 46   | 39               | 64   | 74   |
| RPM (min-1)                   | 1863             | 2070 | 2300 | 2106             | 2340 | 2600 | 2350             | 2610 | 2900 |
| SOUND PRESSURE AT 1m (dB(A))  | 27               | 28   | 29   | 24               | 28   | 34   | 28               | 35   | 39   |
| SOUND PRESSURE AT 3 m (dB(A)) | 25               | 26   | 27   | 23               | 26   | 32   | 26               | 33   | 37   |
| MAXIMUM AIR TEMPERATURE (°C)  | FROM -10 TO +50  |      |      | FROM -10 TO +50  |      |      | FROM -10 TO +50  |      |      |
| TUBE DIMENSIONS (mm)          | Ø 103            |      |      | Ø 128            |      |      | Ø 153            |      |      |
| PROTECTION                    | IP 24            |      |      | IP 24            |      |      | IP 24            |      |      |

| CODE      | DESCRIPTION  |
|-----------|--|
| ACD100025 | "PICO CLEAN 30 WI" WALL-MOUNTED, INTAKE/EXTRACTOR FAN, EQUIPPED WITH EXTERNAL POWER SUPPLY |
| ACD100026 | "PICO CLEAN 55 WI" WALL-MOUNTED, INTAKE/EXTRACTOR FAN, EQUIPPED WITH EXTERNAL POWER SUPPLY |
| ACD100027 | "PICO CLEAN 80 WI" WALL-MOUNTED, INTAKE/EXTRACTOR FAN, EQUIPPED WITH EXTERNAL POWER SUPPLY |
| ACD100028 | "PICO CLEAN 30 WI" WALL-MOUNTED, INTAKE/EXTRACTOR FAN, EQUIPPED WITH BUILT-IN POWER SUPPLY |
| ACD100029 | "PICO CLEAN 55 WI" WALL-MOUNTED, INTAKE/EXTRACTOR FAN, EQUIPPED WITH BUILT-IN POWER SUPPLY |
| ACD100030 | "PICO CLEAN 80 WI" WALL-MOUNTED, INTAKE/EXTRACTOR FAN, EQUIPPED WITH BUILT-IN POWER SUPPLY |

FOR THE EXTENTIONS OF THE ROUND PIPE, SEE PAGE 120 OF THE CATALOGUE "PROJECT WIND"



FOR PICO SPARE PARTS SEE PAGE 33-35

\*POSSIBILITY OF CASCADE CONNECTION SEE PAGE 32

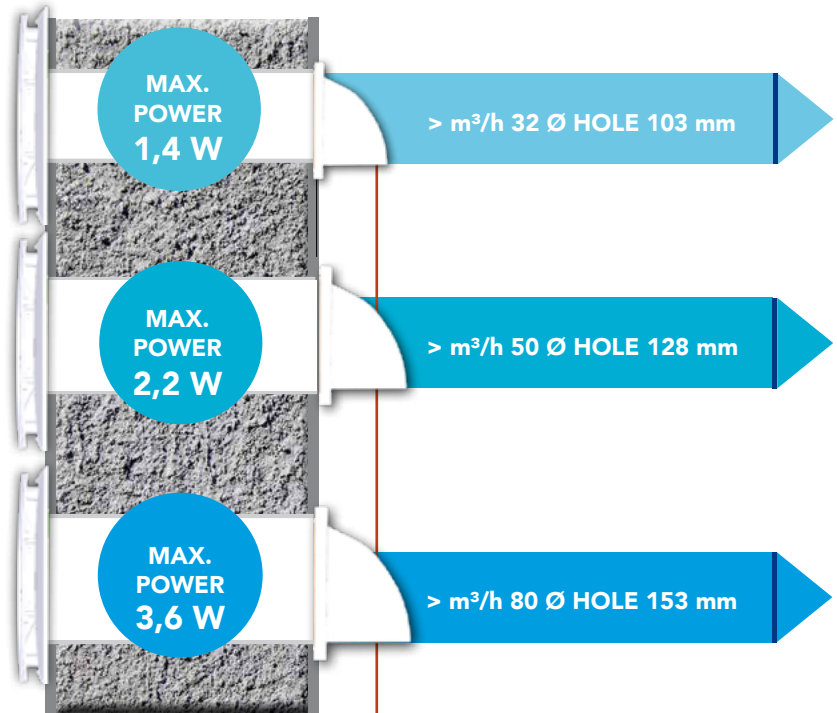


## INTAKE / EXTRACTOR

PICO<sup>wi</sup>  
CLEAN 30

PICO<sup>wi</sup>  
CLEAN 55

PICO<sup>wi</sup>  
CLEAN 80



FLEXIBLE EXTERNAL GRILLES AVAILABLE ON PAGE 33

## INSTALLATION DIAGRAM FOR MAX 4 PICO UNITS IN CASCADE

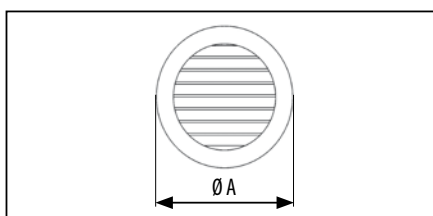


## PICO SPARE PARTS AND ACCESSORIES

### ROUND FLEXIBLES GRIDS WITH FIXING SPRINGS

#### TECHNICAL FEATURES

- FITTED WITH INSECT MESH
- AVOID IMPALCATURE
- IDEAL APARTMENT BUILDING
- TO BE INSTALLED FROM INSIDE



**TO BE INSTALLED FROM INSIDE**

| DIMENSIONS (mm) |     |                     |
|-----------------|-----|---------------------|
| MODEL           | Ø A | HOLE<br>Ø MIN / MAX |
| GET Ø 100 - 125 | 155 | 100 - 125           |
| GET Ø 125 - 160 | 190 | 125 - 160           |



FOR ITEM CODES CONSULT THE CATALOG PROJECT WIND PAGE 131

### 6-WIRE CONNECTION CABLE FOR PICO EXTRACTOR UNIT 100 m AND RJ11 CONNECTORS FOR 6-WIRE CONNECTION CABLE FOR PICO EXTRACTOR UNITS

CASCADE CONNECTION CABLE FOR UP TO 4 PICO EXTRACTOR UNITS. (MAXIMUM DISTANCE BETWEEN PICO EXTRACTOR UNITS 5 m)



PACK OF 100 PC.

| CODE     | DESCRIPTION  |
|----------|--|
| 11181232 | 6-WIRE CONNECTION CABLE FOR PICO EXTRACTOR UNIT 100 m                |
| 11181237 | RJ11 CONNECTORS FOR 6-WIRE CONNECTION CABLE FOR PICO EXTRACTOR UNITS |

## REMOTE CONTROL FOR "PICO WI / WI-C / WI-C-CO2"



| CODE     | DESCRIZIONE                            |
|----------|--|
| CDE00008 | REMOTE CONTROL FOR "PICO WI"           |
| CDE00009 | REMOTE CONTROL FOR "PICO WI - C"       |
| CDE00010 | REMOTE CONTROL FOR "PICO WI - C - CO2" |

## CIRCUIT BOARD FOR "HP2 - PICO CLEAN - PICO RECO 100"



**CIRCUIT BOARD WITHOUT WI-FI FUNCTION**

| CODE      | DESCRIPTION  |
|-----------|--|
| C20002301 | REPLACEMENT ELECTRONIC BOARD FOR "PICO HP2" - "PICO CLEAN" MODEL |
| C20002302 | REPLACEMENT ELECTRONIC BOARD FOR "PICO RECO 100" MODEL           |

## POWER SUPPLY FOR PICO FOR CASCADE INSTALLATION

POWER SUPPLY FOR CASCADE CONNECTION OF UP TO 4 "PICO HP2 80 - CLEAN 80 - RECO 100". (MAXIMUM DISTANCE BETWEEN PICO EXTRACTOR UNITS 5 m)



| CODE     | DESCRIPTION                                      |
|----------|--|
| 24500068 | POWER SUPPLY FOR "PICO" FOR CASCADE INSTALLATION |



## BUILT-IN POWER SUPPLY WITH CABLE (PHONE TYPE) FOR "PICO HP2 30/55/50/100"



| CODE     | DESCRIPTION   |
|----------|---|
| RIC00274 | BUILT-IN POWER SUPPLY WITH CABLE (PHONE TYPE) FOR PICO "HP2 30/55/50/100" |

## CERAMIC HEAT EXCHANGER WITH FILTERS FOR "PICO HP2 30- 55 - 80" AND "PICO CLEAN 30-55-80"



| CODE     | DESCRIPTION   |
|----------|---|
| RIC00190 | CERAMIC HEAT EXCHANGER WITH FILTERS FOR "PICO HP2 30" AND "PICO CLEAN 30" |
| RIC00191 | CERAMIC HEAT EXCHANGER WITH FILTERS FOR "PICO HP2 55" AND "PICO CLEAN 55" |
| RIC00192 | CERAMIC HEAT EXCHANGER WITH FILTERS FOR "PICO HP2 80" AND "PICO CLEAN 80" |

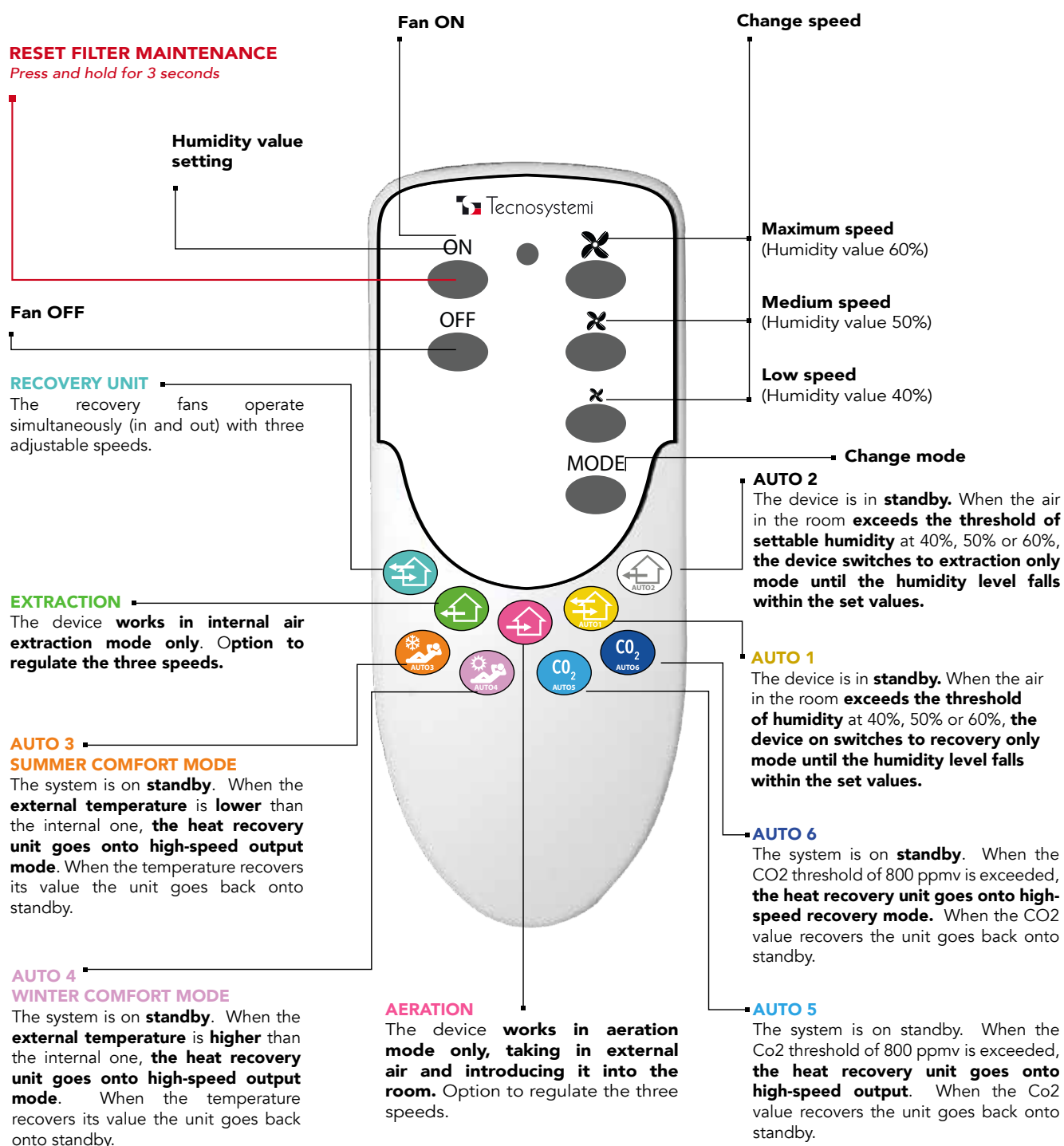
## SPARE FILTER CLASS G3 FOR PICO HP2 - 30 - 55 - 80 AND PICO RECO 100



| CODE      | DESCRIPTION                    | PACK. MIN. |
|-----------|--------------------------------|------------|
| C20002333 | FILTER Ø 100 FOR PICO HP2 - 30 | 2 PCS.     |
| C20002336 | FILTER Ø 125 FOR PICO HP2 - 55 | 2 PCS.     |
| C20002324 | FILTER Ø 150 FOR PICO HP2 - 80 | 2 PCS.     |
| C20002355 | FILTER Ø 200 FOR PICO RECO 100 | 2 PCS.     |



## REMOTE CONTROL WITH NEW FUNCTIONS



# AirPur3<sup>PLUS</sup> wi



## EASILY CONTROLLED BY SMARTPHONE AND TABLET



Heat recovery unit

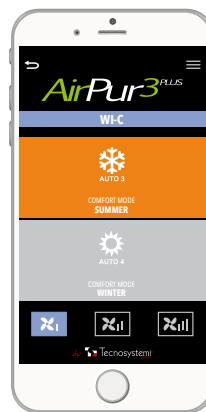


### PRACTICALITY AND CONTROL



(OFF-LINE)

All "Air Pur 3 Plus Wi" functions can also be controlled simply and intuitively via wi-fi from your smartphone or tablet. Just activate the wi-fi function on your device and select "Air Pur 3 Plus Wi" to access the system.



### IDEAL TEMPERATURE



COMFORT MODE

If the system is set on WINTER COMFORT or SUMMER COMFORT mode, it activates by exploiting the internal and external difference in temperature in order to reach the ideal internal temperature.



### CO2 MODE



Select the AUTO 5 or AUTO 6 modes to refresh the internal air and keep the internal environment healthy.

✓ SIMPLE

✓ QUICK

✓ INTUITIVE

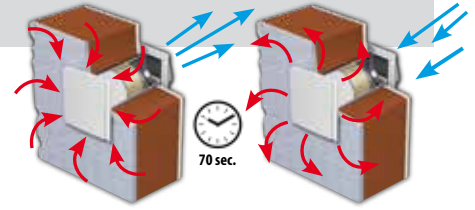
# OPERATING MODE



## RECOVERY UNIT

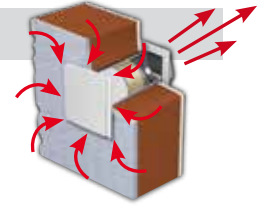
THE RECOVERY FANS OPERATE SIMULTANEOUSLY (IN AND OUT) WITH THREE ADJUSTABLE SPEEDS.

(EXTRACTION AND AERATION)



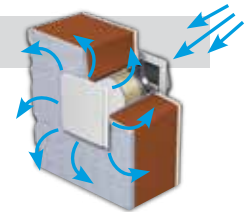
## EXTRACTION

THE DEVICE WORKS IN INTERNAL AIR EXTRACTION MODE ONLY. OPTION TO REGULATE THE THREE SPEEDS.



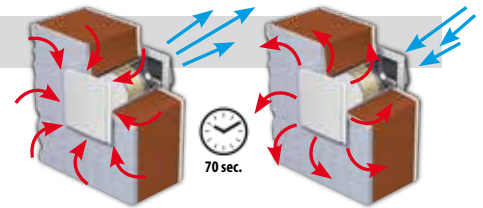
## AERATION

THE DEVICE WORKS IN AERATION MODE ONLY, TAKING IN EXTERNAL AIR AND INTRODUCING IT INTO THE ROOM. OPTION TO REGULATE THE THREE SPEEDS.



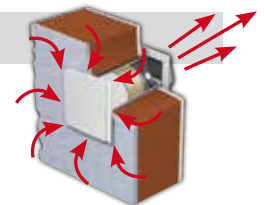
## AUTO1

THE DEVICE IS IN **STANDBY**. WHEN THE AIR IN THE ROOM **EXCEEDS THE THRESHOLD OF HUMIDITY**, AT 40%, 50% OR 60%, **THE DEVICE SWITCHES TO RECOVERY ONLY MODE UNTIL THE HUMIDITY LEVEL FALLS WITHIN THE SET VALUES.**



## AUTO2

THE DEVICE IS IN **STANDBY**. WHEN THE AIR IN THE ROOM **EXCEEDS THE THRESHOLD OF HUMIDITY** AT 40%, 50% OR 60%, **THE DEVICE SWITCHES TO EXTRACTION ONLY MODE UNTIL THE HUMIDITY LEVEL FALLS WITHIN THE SET VALUES.**

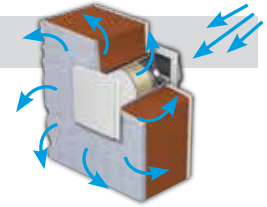


| DESCRIPTION   | REGENERATOR | EXTRACTION |
|---|-------------|------------|
| "AIR PUR 3 PLUS WI" BUILT-IN CROSS-FLOW STATIC HEAT RECOVERY UNIT MODEL 160                         | X           | X          |
| "AIR PUR 3 PLUS WI" BUILT-IN CROSS-FLOW STATIC HEAT RECOVERY UNIT MODEL 230                         | X           | X          |
| "AIR PUR 3 PLUS WI" BUILT-IN CROSS-FLOW STATIC HEAT RECOVERY UNIT MODEL 300                         | X           | X          |
| "COMFORT - AIR PUR 3 PLUS WI-C" BUILT-IN CROSS-FLOW STATIC HEAT RECOVERY UNIT MODEL 160             | X           | X          |
| "COMFORT - AIR PUR 3 PLUS WI-C" BUILT-IN CROSS-FLOW STATIC HEAT RECOVERY UNIT MODEL 230             | X           | X          |
| "COMFORT - AIR PUR 3 PLUS WI-C" BUILT-IN CROSS-FLOW STATIC HEAT RECOVERY UNIT MODEL 300             | X           | X          |
| "COMFORT+C02 - AIR PUR 3 PLUS WI-C-C02" BUILT-IN CROSS-FLOW STATIC HEAT RECOVERY UNIT MODEL 160     | X           | X          |
| "COMFORT+C02 - AIR PUR 3 PLUS WI-C-C02" BUILT-IN CROSS-FLOW STATIC HEAT RECOVERY UNIT MODEL 230     | X           | X          |
| "COMFORT+C02 - AIR PUR 3 PLUS WI-C-C02" BUILT-IN CROSS-FLOW STATIC HEAT RECOVERY UNIT MODEL 300     | X           | X          |
| "AIR PUR 3 PLUS WI" WALL MOUNTED CROSS-FLOW STATIC HEAT RECOVERY UNIT MODEL 160                     | X           | X          |
| "AIR PUR 3 PLUS WI" WALL MOUNTED CROSS-FLOW STATIC HEAT RECOVERY UNIT MODEL 230                     | X           | X          |
| "AIR PUR 3 PLUS WI" WALL MOUNTED CROSS-FLOW STATIC HEAT RECOVERY UNIT MODEL 300                     | X           | X          |
| "COMFORT - AIR PUR 3 PLUS WI-C" WALL MOUNTED CROSS-FLOW STATIC HEAT RECOVERY UNIT MODEL 160         | X           | X          |
| "COMFORT - AIR PUR 3 PLUS WI-C" WALL MOUNTED CROSS-FLOW STATIC HEAT RECOVERY UNIT MODEL 230         | X           | X          |
| "COMFORT - AIR PUR 3 PLUS WI-C" WALL MOUNTED CROSS-FLOW STATIC HEAT RECOVERY UNIT MODEL 300         | X           | X          |
| "COMFORT+C02 - AIR PUR 3 PLUS WI-C-C02" WALL MOUNTED CROSS-FLOW STATIC HEAT RECOVERY UNIT MODEL 160 | X           | X          |
| "COMFORT+C02 - AIR PUR 3 PLUS WI-C-C02" WALL MOUNTED CROSS-FLOW STATIC HEAT RECOVERY UNIT MODEL 230 | X           | X          |
| "COMFORT+C02 - AIR PUR 3 PLUS WI-C-C02" WALL MOUNTED CROSS-FLOW STATIC HEAT RECOVERY UNIT MODEL 300 | X           | X          |



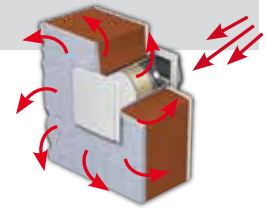
## AUTO3 - SUMMER COMFORT MODE

THE SYSTEM IS ON **STANDBY**. WHEN THE **EXTERNAL TEMPERATURE IS LOWER** THAN THE INTERNAL ONE, **THE HEAT RECOVERY UNIT GOES ONTO HIGH-SPEED OUTPUT MODE**. WHEN THE TEMPERATURE RECOVERS ITS VALUE THE UNIT GOES BACK ONTO **STANDBY**.



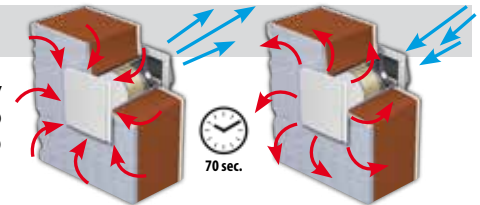
## AUTO4 - WINTER COMFORT MODE

THE SYSTEM IS ON **STANDBY**. WHEN THE **EXTERNAL TEMPERATURE IS HIGHER** THAN THE INTERNAL ONE, **THE HEAT RECOVERY UNIT GOES ONTO HIGH-SPEED OUTPUT MODE**. WHEN THE TEMPERATURE RECOVERS ITS VALUE THE UNIT GOES BACK ONTO **STANDBY**.



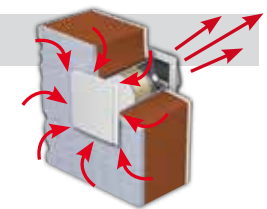
## AUTO5

THE SYSTEM IS ON **STANDBY**. WHEN THE CO2 THRESHOLD OF 800 PPMV IS EXCEEDED, **THE HEAT RECOVERY UNIT GOES ONTO HIGH-SPEED OUTPUT**. WHEN THE CO2 VALUE RECOVERS THE UNIT GOES BACK ONTO **STANDBY**.



## AUTO6

THE SYSTEM IS ON **STANDBY**. WHEN THE CO2 THRESHOLD OF 800 PPMV IS EXCEEDED, **THE HEAT RECOVERY UNIT GOES ONTO HIGH-SPEED RECOVERY MODE**. WHEN THE CO2 VALUE RECOVERS THE UNIT GOES BACK ONTO **STANDBY**.



## FILTER MAINTENANCE

AFTER 1,500 WORKING HOURS, THE RED LED FLASHES TO INDICATE THE NEED FOR MAINTENANCE ON THE FILTERS AND HEAT EXCHANGER PACK

## SETTING THE LEVEL OF HUMIDITY

WHEN THE BLUE LED TURNS ON, IT INDICATES ACCESS TO THE HUMIDITY VALUE SETTINGS MODE. IT IS POSSIBLE TO SET THE HUMIDITY THRESHOLD ON THREE DIFFERENT VALUES 40%, 50%, 60%

| AERATION | SETTING HUMIDITY VALUE | WI-FI | AUTO 1 | AUTO 2 | AUTO 3 | AUTO 4 | AUTO 5 | AUTO 6 | INSTRUCTIONS FILTER MAINTENANCE |
|----------|------------------------|-------|--------|--------|--------|--------|--------|--------|---------------------------------|
| X        | X                      | X     | X      | X      |        |        |        |        | X                               |
| X        | X                      | X     | X      | X      |        |        |        |        | X                               |
| X        | X                      | X     | X      | X      |        |        |        |        | X                               |
| X        | X                      | X     | X      | X      | X      | X      |        |        | X                               |
| X        | X                      | X     | X      | X      | X      | X      |        |        | X                               |
| X        | X                      | X     | X      | X      | X      | X      | X      | X      | X                               |
| X        | X                      | X     | X      | X      | X      | X      | X      | X      | X                               |
| X        | X                      | X     | X      | X      | X      | X      | X      | X      | X                               |
| X        | X                      | X     | X      | X      |        |        |        |        | X                               |
| X        | X                      | X     | X      | X      |        |        |        |        | X                               |
| X        | X                      | X     | X      | X      | X      | X      |        |        | X                               |
| X        | X                      | X     | X      | X      | X      | X      |        |        | X                               |
| X        | X                      | X     | X      | X      | X      | X      |        |        | X                               |
| X        | X                      | X     | X      | X      | X      | X      | X      | X      | X                               |
| X        | X                      | X     | X      | X      | X      | X      | X      | X      | X                               |
| X        | X                      | X     | X      | X      | X      | X      | X      | X      | X                               |

# "AIR PUR 3 PLUS WI" BUILT-IN AND WALL-MOUNTED HEAT RECOVERY UNIT MODELS 160 - 230 - 300

CHARACTERISED BY AN **ATTRACTIVE DESIGN** TECNOSYSTEMI'S BUILT-IN HEAT RECOVERY UNITS ARE **EASY TO INSTALL** AND **OFFER HIGH LEVELS OF PERFORMANCE**.



WI-FI

WI-FI

3 MODELS AVAILABLE, ALL SUPPLIED WITH A REMOTE CONTROL AND WITH WI-FI OFF LINE DEVICE AND APP.

THE NEW PANEL **COMPLETE WITH LEDs**, ENABLES THE USER TO CHECK THE UNIT'S OPERATION AND TO ALSO MAKE SETTINGS MANUALLY .

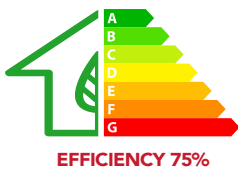


## AirPur<sup>3</sup> PLUS wi

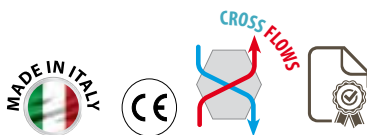


BUILT-IN MODEL

WALL-MOUNTED MODEL



WI-FI CONTROL MODE



### ACCESSORIES



REMOTE CONTROL INCLUDED



REAR VIEW



EXTERNAL AESTHETIC GRID

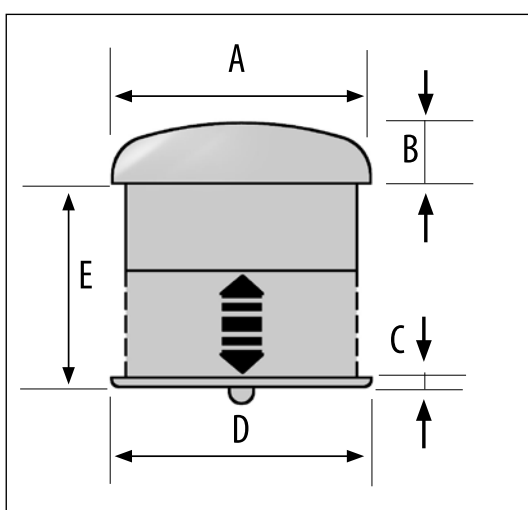
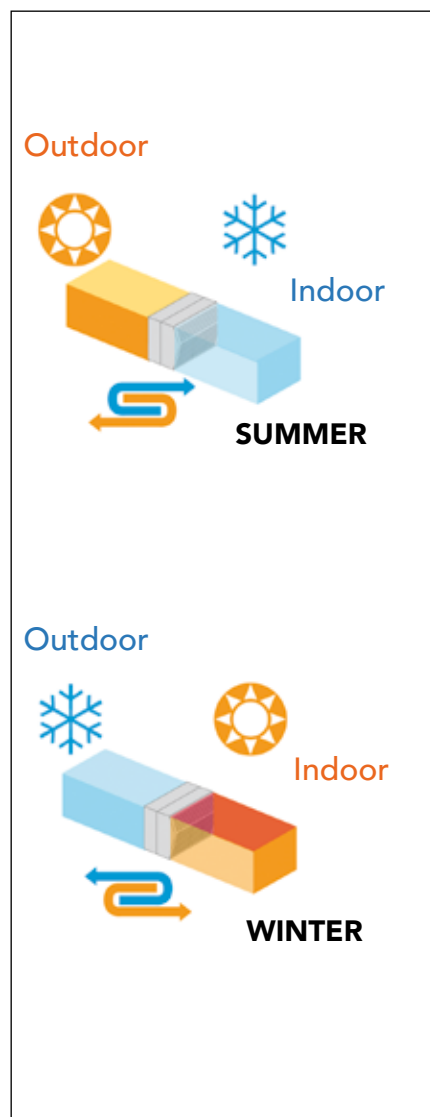


EXTRACTABLE PLASTIC EXCHANGE PACK



# "AIR PUR 3 PLUS WI" - BUILT-IN MODEL 160 - 230 - 300

| MODEL  | 160 WI    | 230 WI    | 300 WI    |
|--|-----------|-----------|-----------|
| SUPPLY VOLTAGE   | 230 V     | 230 V     | 230 V     |
| FREQUENCY  | 50 Hz     | 50 Hz     | 50 Hz     |
| MAXIMUM POWER  | 30 W      | 70 W      | 70 W      |
| PROTECTION RATING  | IP 20     |           |           |
| HEAT EXCHANGE EFFICIENCY<br>(IN RELATION TO THE<br>THREE SPEEDS)     | I°: 76%   | I°: 72%   | I°: 67%   |
|  | II°: 74%  | II°: 70%  | II°: 64%  |
|  | III°: 73% | III°: 68% | III°: 60% |
| AIR OUTPUT m <sup>3</sup> /h<br>(IN RELATION TO THE<br>THREE SPEEDS) | I°: 70    | I°: 92    | I°: 150   |
|  | II°: 120  | II°: 166  | II°: 264  |
|  | III°: 161 | III°: 230 | III°: 300 |
| MAX. NOISE LEVEL<br>dB(A)  | I°: 36    | I°: 36    | I°: 40    |
|  | II°: 44   | II°: 45   | II°: 51   |
|  | III°: 48  | III°: 49  | III°: 53  |
| WEIGHT kg  | 18        | 19        | 19        |
| Ø HOLE IN WALL (mm)  | 230 x 490 | 230 x 490 | 230 x 490 |



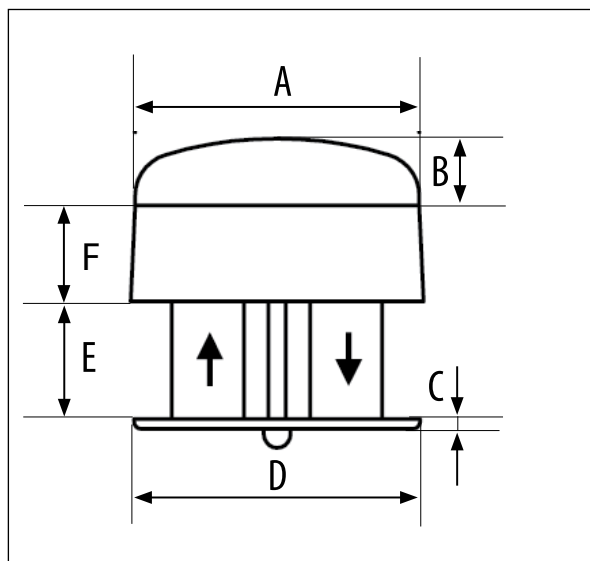
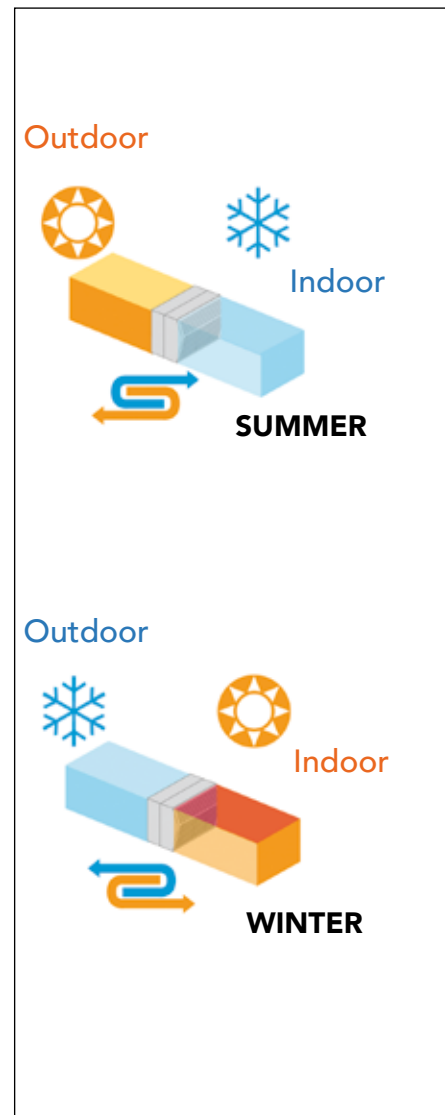
| MODEL 160 / 230 / 300 WI |         |
|--------------------------|---------|
| DIMENSIONS               | (mm)    |
| A                        | 532     |
| B                        | 125     |
| C                        | 19      |
| D                        | 536     |
| E                        | 220/400 |
| INTERNAL GRID HEIGHT     | 265     |
| EXTERNAL GRID HEIGHT     | 292     |
| HEAT RECOVERY UNIT BOX   | 220     |

AVAILABLE FROM APRIL 2020

| CODE      | DESCRIPTION   |
|-----------|---|
| ACD200005 | "AIR PUR 3 PLUS WI" BUILT-IN CROSS-FLOW STATIC HEAT RECOVERY UNIT MODEL 160 |
| ACD200006 | "AIR PUR 3 PLUS WI" BUILT-IN CROSS-FLOW STATIC HEAT RECOVERY UNIT MODEL 230 |
| ACD200007 | "AIR PUR 3 PLUS WI" BUILT-IN CROSS-FLOW STATIC HEAT RECOVERY UNIT MODEL 300 |

# "AIR PUR 3 PLUS WI" - WALL-MOUNTED MODEL 160 - 230 - 300

| MODEL  | 160 WI    | 230 WI    | 300 WI    |
|--|-----------|-----------|-----------|
| SUPPLY VOLTAGE   | 230 V     | 230 V     | 230 V     |
| FREQUENCY  | 50 Hz     | 50 Hz     | 50 Hz     |
| MAXIMUM POWER  | 30 W      | 70 W      | 70 W      |
| PROTECTION RATING  | IP 20     |           |           |
| HEAT EXCHANGE EFFICIENCY<br>(IN RELATION TO THE<br>THREE SPEEDS)     | I°: 76%   | I°: 72%   | I°: 67%   |
|  | II°: 74%  | II°: 70%  | II°: 64%  |
|  | III°: 73% | III°: 68% | III°: 60% |
| AIR OUTPUT m <sup>3</sup> /h<br>(IN RELATION TO THE<br>THREE SPEEDS) | I°: 70    | I°: 92    | I°: 150   |
|  | II°: 120  | II°: 166  | II°: 264  |
|  | III°: 161 | III°: 230 | III°: 300 |
| MAX SOUND RATING dB(A)<br>(IN RELATION TO THE<br>THREE SPEEDS)       | I°: 36    | I°: 36    | I°: 40    |
|  | II°: 44   | II°: 45   | II°: 51   |
|  | III°: 48  | III°: 49  | III°: 53  |
| WEIGHT kg  | 21        | 22        | 22        |
| Ø HOLE IN WALL (mm)  | 170       | 170       | 170       |



| MODEL 160 / 230 / 300 WI |      |
|--------------------------|------|
| DIMENSIONS               | (mm) |
| A                        | 532  |
| B                        | 125  |
| C                        | 19   |
| D                        | 536  |
| E                        | 400  |
| F                        | 220  |
| INTERNAL GRID HEIGHT     | 265  |
| EXTERNAL GRID HEIGHT     | 292  |
| HEAT RECOVERY UNIT BOX   | 289  |

AVAILABLE FROM APRIL 2020

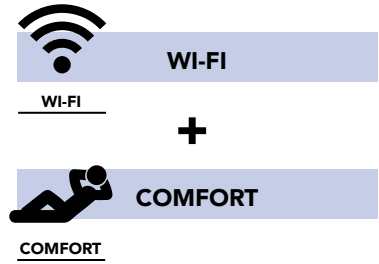
| CODE      | DESCRIPTION   |
|-----------|---|
| ACD200014 | "AIR PUR 3 PLUS WI" WALL MOUNTED CROSS-FLOW STATIC HEAT RECOVERY UNIT MODEL 160 |
| ACD200015 | "AIR PUR 3 PLUS WI" WALL MOUNTED CROSS-FLOW STATIC HEAT RECOVERY UNIT MODEL 230 |
| ACD200016 | "AIR PUR 3 PLUS WI" WALL MOUNTED CROSS-FLOW STATIC HEAT RECOVERY UNIT MODEL 300 |

# "AIR PUR 3 PLUS WI-C" BUILT-IN AND WALL-MOUNTED HEAT RECOVERY UNIT MODELS 160 - 230 - 300

CHARACTERISED BY AN **INNOVATIVE DESIGN** THAT IS BOTH ATTRACTIVE AND HIGHLY FUNCTIONAL, TECNOSYSTEMI'S BUILT-IN HEAT RECOVERY UNITS ARE **EASY TO INSTALL** AND **OFFER HIGH LEVELS OF PERFORMANCE**.

3 MODELS AVAILABLE, ALL SUPPLIED WITH A REMOTE CONTROL AND WITH WI-FI OFF LINE DEVICE AND APP.

THE PANEL **COMPLETE WITH LEDS**, ENABLES THE USER TO CHECK THE UNIT'S OPERATION AND TO ALSO MAKE SETTINGS MANUALLY .



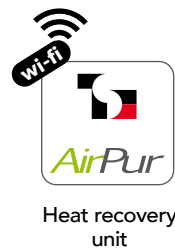
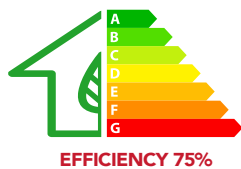
## AirPur3<sup>PLUS</sup> wi-c



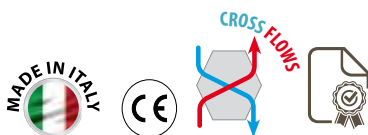
**BUILT-IN MODEL**



**WALL-MOUNTED MODEL**



**WI-FI CONTROL MODE**



### ACCESSORIES



**REMOTE CONTROL INCLUDED**



**REAR VIEW**



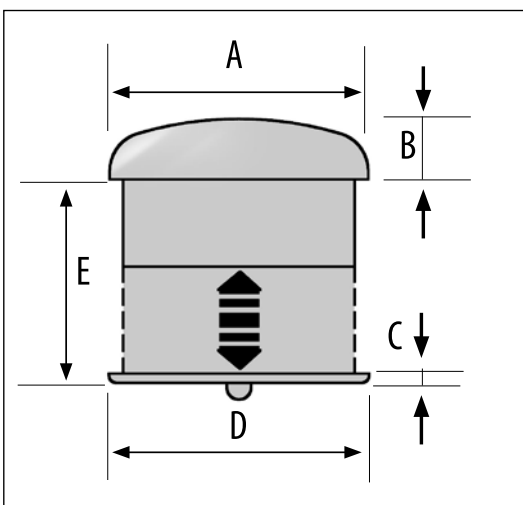
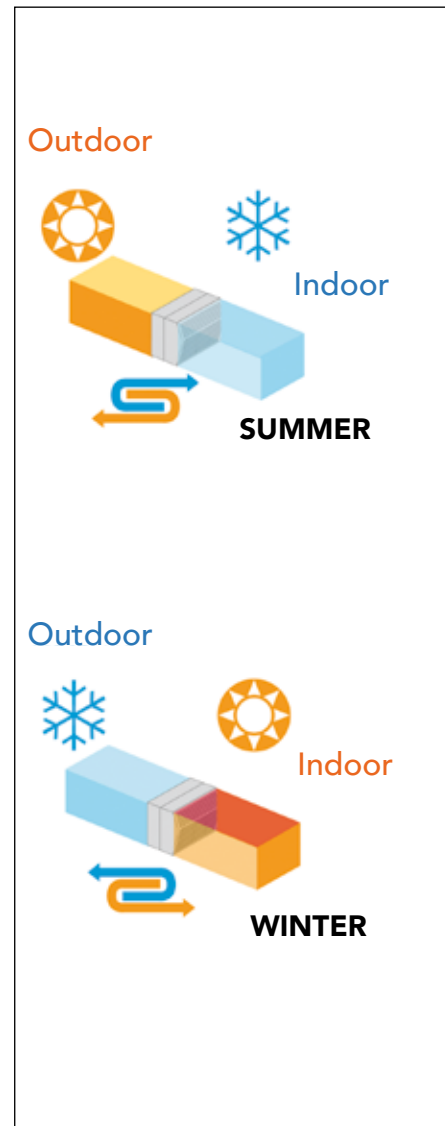
**EXTERNAL AESTHETIC GRID**



**EXTRACTABLE PLASTIC EXCHANGE PACK**

# "AIR PUR 3 PLUS WI-C" - BUILT-IN MODEL 160 - 230 - 300

| MODEL  | 160 WI-C  | 230 WI-C  | 300 WI-C  |
|--|-----------|-----------|-----------|
| SUPPLY VOLTAGE   | 230 V     | 230 V     | 230 V     |
| FREQUENCY  | 50 Hz     | 50 Hz     | 50 Hz     |
| MAXIMUM POWER  | 30 W      | 70 W      | 70 W      |
| PROTECTION RATING  | IP 20     |           |           |
| HEAT EXCHANGE EFFICIENCY (IN RELATION TO THE THREE SPEEDS)     | I°: 76%   | I°: 72%   | I°: 67%   |
|  | II°: 74%  | II°: 70%  | II°: 64%  |
|  | III°: 73% | III°: 68% | III°: 60% |
| AIR OUTPUT m <sup>3</sup> /h (IN RELATION TO THE THREE SPEEDS) | I°: 70    | I°: 92    | I°: 150   |
|  | II°: 120  | II°: 166  | II°: 264  |
|  | III°: 161 | III°: 230 | III°: 300 |
| MAX SOUND RATING dB(A) (IN RELATION TO THE THREE SPEEDS)       | I°: 36    | I°: 36    | I°: 40    |
|  | II°: 44   | II°: 45   | II°: 51   |
|  | III°: 48  | III°: 49  | III°: 53  |
| WEIGHT kg  | 18        | 19        | 19        |
| Ø HOLE IN WALL (mm)  | 230 x 490 | 230 x 490 | 230 x 490 |



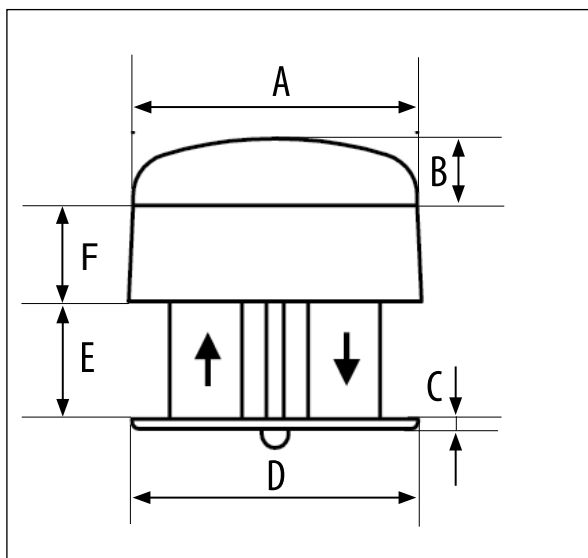
| MODEL 160 / 230 / 300 WI-C |         |
|----------------------------|---------|
| DIMENSIONS                 | (mm)    |
| A                          | 532     |
| B                          | 125     |
| C                          | 19      |
| D                          | 536     |
| E                          | 220/400 |
| INTERNAL GRID HEIGHT       | 265     |
| EXTERNAL GRID HEIGHT       | 292     |
| HEAT RECOVERY UNIT BOX     | 220     |

AVAILABLE FROM APRIL 2020

| CODE      | DESCRIPTION   |
|-----------|---|
| ACD200008 | "COMFORT - AIR PUR 3 PLUS WI-C" BUILT-IN CROSS-FLOW STATIC HEAT RECOVERY UNIT MODEL 160 |
| ACD200009 | "COMFORT - AIR PUR 3 PLUS WI-C" BUILT-IN CROSS-FLOW STATIC HEAT RECOVERY UNIT MODEL 230 |
| ACD200010 | "COMFORT - AIR PUR 3 PLUS WI-C" BUILT-IN CROSS-FLOW STATIC HEAT RECOVERY UNIT MODEL 300 |

# "AIR PUR 3 PLUS WI-C"- WALL-MOUNTED MODEL 160 - 230 - 300

| MODEL  | 160 WI-C  | 230 WI-C  | 300 WI-C  |
|--|-----------|-----------|-----------|
| SUPPLY VOLTAGE   | 230 V     | 230 V     | 230 V     |
| FREQUENCY  | 50 Hz     | 50 Hz     | 50 Hz     |
| MAXIMUM POWER  | 30 W      | 70 W      | 70 W      |
| PROTECTION RATING  | IP 20     |           |           |
| HEAT EXCHANGE EFFICIENCY (IN RELATION TO THE THREE SPEEDS)     | I°: 76%   | I°: 72%   | I°: 67%   |
|  | II°: 74%  | II°: 70%  | II°: 64%  |
|  | III°: 73% | III°: 68% | III°: 60% |
| AIR OUTPUT m <sup>3</sup> /h (IN RELATION TO THE THREE SPEEDS) | I°: 70    | I°: 92    | I°: 150   |
|  | II°: 120  | II°: 166  | II°: 264  |
|  | III°: 161 | III°: 230 | III°: 300 |
| MAX SOUND RATING dB(A) (IN RELATION TO THE THREE SPEEDS)       | I°: 36    | I°: 36    | I°: 40    |
|  | II°: 44   | II°: 45   | II°: 51   |
|  | III°: 48  | III°: 49  | III°: 53  |
| WEIGHT kg  | 21        | 22        | 22        |
| Ø HOLE IN WALL (mm)  | 170       | 170       | 170       |



| MODEL 160 / 230 / 300 WI-C |      |
|----------------------------|------|
| DIMENSIONS                 | (mm) |
| A                          | 532  |
| B                          | 125  |
| C                          | 19   |
| D                          | 536  |
| E                          | 400  |
| F                          | 220  |
| INTERNAL GRID HEIGHT       | 265  |
| EXTERNAL GRID HEIGHT       | 292  |
| HEAT RECOVERY UNIT BOX     | 289  |

AVAILABLE FROM APRIL 2020

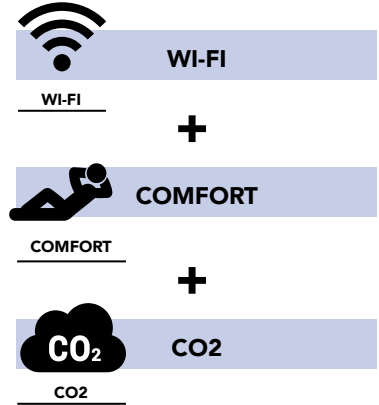
| CODE      | DESCRIPTION   |
|-----------|---|
| ACD200017 | "COMFORT - AIR PUR 3 PLUS WI-C" WALL MOUNTED CROSS-FLOW STATIC HEAT RECOVERY UNIT MODEL 160 |
| ACD200018 | "COMFORT - AIR PUR 3 PLUS WI-C" WALL MOUNTED CROSS-FLOW STATIC HEAT RECOVERY UNIT MODEL 230 |
| ACD200019 | "COMFORT - AIR PUR 3 PLUS WI-C" WALL MOUNTED CROSS-FLOW STATIC HEAT RECOVERY UNIT MODEL 300 |

# "AIR PUR 3 PLUS WI-C-CO2" BUILT-IN AND WALL-MOUNTED HEAT RECOVERY UNIT MODELS 160 - 230 - 300

CHARACTERISED BY AN **INNOVATIVE DESIGN** THAT IS BOTH ATTRACTIVE AND HIGHLY FUNCTIONAL, TECNOSYSTEMI'S BUILT-IN HEAT RECOVERY UNITS ARE **EASY TO INSTALL** AND **OFFER HIGH LEVELS OF PERFORMANCE**.

3 MODELS AVAILABLE, ALL SUPPLIED WITH A REMOTE CONTROL AND WITH WI-FI OFF LINE DEVICE AND APP.

THE PANEL **COMPLETE WITH LEDS**, ENABLES THE USER TO CHECK THE UNIT'S OPERATION AND TO ALSO MAKE SETTINGS MANUALLY .



**AirPur3<sup>PLUS</sup>**  
wi-c-co2

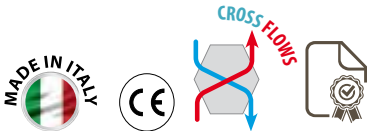


**BUILT-IN MODEL**

**WALL-MOUNTED MODEL**



**WI-FI CONTROL MODE**



## ACCESSORIES



**REMOTE CONTROL INCLUDED**



**REAR VIEW**



**EXTERNAL AESTHETIC GRID**

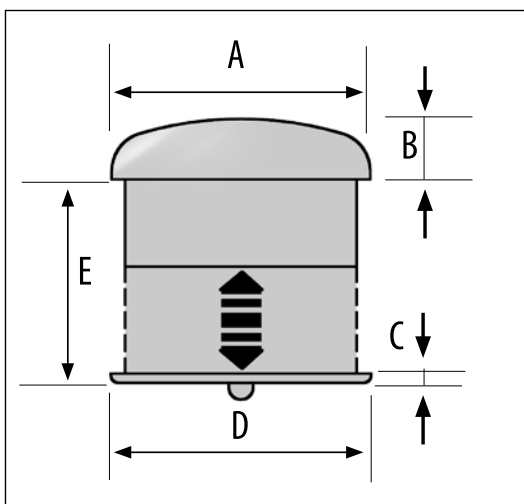
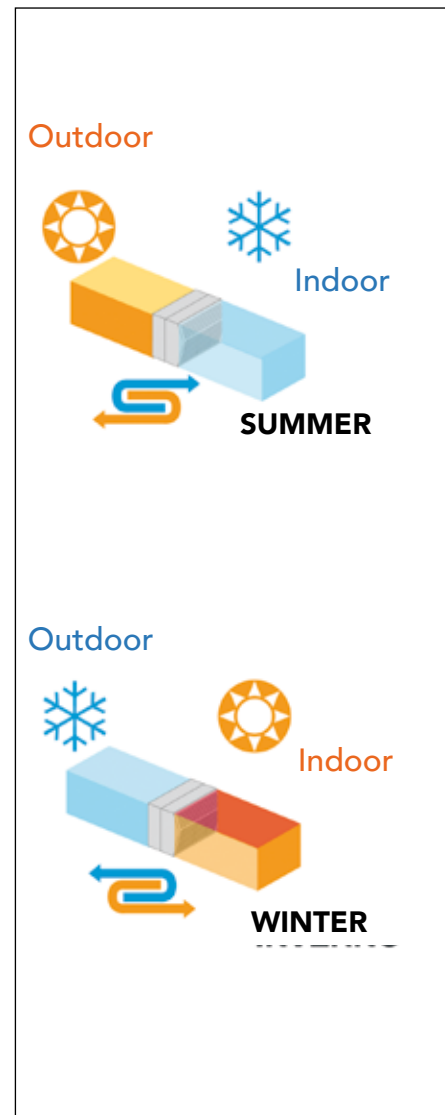


**EXTRACTABLE PLASTIC EXCHANGE PACK**



# "AIR PUR 3 PLUS WI-C-CO2" - BUILT-IN MODEL 160 - 230 - 300

| MODEL  | 160<br>WI-C-CO2 | 230<br>WI-C-CO2 | 300<br>WI-C-CO2 |
|--|-----------------|-----------------|-----------------|
| SUPPLY VOLTAGE   | 230 V           | 230 V           | 230 V           |
| FREQUENCY  | 50 Hz           | 50 Hz           | 50 Hz           |
| MAXIMUM POWER  | 30 W            | 70 W            | 70 W            |
| PROTECTION RATING  | IP 20           |                 |                 |
| HEAT EXCHANGE EFFICIENCY<br>(IN RELATION TO THE<br>THREE SPEEDS)     | I°: 76%         | I°: 72%         | I°: 67%         |
|  | II°: 74%        | II°: 70%        | II°: 64%        |
|  | III°: 73%       | III°: 68%       | III°: 60%       |
| AIR OUTPUT m <sup>3</sup> /h<br>(IN RELATION TO THE<br>THREE SPEEDS) | I°: 70          | I°: 92          | I°: 150         |
|  | II°: 120        | II°: 166        | II°: 264        |
|  | III°: 161       | III°: 230       | III°: 300       |
| MAX SOUND RATING dB(A)<br>(IN RELATION TO THE<br>THREE SPEEDS)       | I°: 36          | I°: 36          | I°: 40          |
|  | II°: 44         | II°: 45         | II°: 51         |
|  | III°: 48        | III°: 49        | III°: 53        |
| WEIGHT kg  | 18              | 19              | 19              |
| Ø HOLE IN WALL(mm)   | 230 x 490       | 230 x 490       | 230 x 490       |



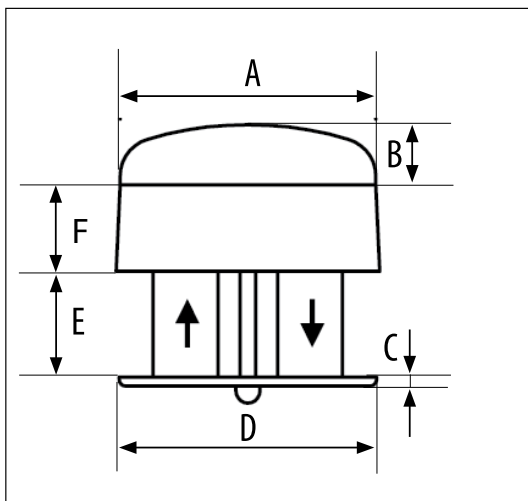
| MODEL 160 / 230 / 300 WI-C-CO2 |         |
|--------------------------------|---------|
| DIMENSIONS                     | (mm)    |
| A                              | 532     |
| B                              | 125     |
| C                              | 19      |
| D                              | 536     |
| E                              | 220/400 |
| INTERNAL GRID HEIGHT           | 265     |
| EXTERNAL GRID HEIGHT           | 292     |
| HEAT RECOVERY UNIT BOX         | 220     |

AVAILABLE FROM APRIL 2020

| CODE      | DESCRIPTION   |
|-----------|---|
| ACD200011 | "COMFORT+CO2 AIR PUR 3 PLUS WI-C-CO2" BUILT-IN CROSS-FLOW STATIC HEAT RECOVERY UNIT MODEL 160 |
| ACD200012 | "COMFORT+CO2 AIR PUR 3 PLUS WI-C-CO2" BUILT-IN CROSS-FLOW STATIC HEAT RECOVERY UNIT MODEL 230 |
| ACD200013 | "COMFORT+CO2 AIR PUR 3 PLUS WI-C-CO2" BUILT-IN CROSS-FLOW STATIC HEAT RECOVERY UNIT MODEL 300 |

# "AIR PUR 3 PLUS WI-C-CO2" WALL-MOUNTED HEAT RECOVERY UNIT MODELS 160 - 230 - 300

| MODEL  | 160<br>WI-C-CO2 | 230<br>WI-C-CO2 | 300<br>WI-C-CO2 |
|--|-----------------|-----------------|-----------------|
| SUPPLY VOLTAGE   | 230 V           | 230 V           | 230 V           |
| FREQUENCY  | 50 Hz           | 50 Hz           | 50 Hz           |
| MAXIMUM POWER  | 30 W            | 70 W            | 70 W            |
| PROTECTION RATING  | IP 20           |                 |                 |
| HEAT EXCHANGE EFFICIENCY<br>(IN RELATION TO THE<br>THREE SPEEDS)     | I°: 76%         | I°: 72%         | I°: 67%         |
|  | II°: 74%        | II°: 70%        | II°: 64%        |
|  | III°: 73%       | III°: 68%       | III°: 60%       |
| AIR OUTPUT m <sup>3</sup> /h<br>(IN RELATION TO THE<br>THREE SPEEDS) | I°: 70          | I°: 92          | I°: 150         |
|  | II°: 120        | II°: 166        | II°: 264        |
|  | III°: 161       | III°: 230       | III°: 300       |
| MAX SOUND RATING dB(A)<br>(IN RELATION TO THE<br>THREE SPEEDS)       | I°: 36          | I°: 36          | I°: 40          |
|  | II°: 44         | II°: 45         | II°: 51         |
|  | III°: 48        | III°: 49        | III°: 53        |
| WEIGHT kg  | 21              | 22              | 22              |
| Ø HOLE IN WALL (mm)  | 170             | 170             | 170             |



| MODEL 160 / 230 / 300 WI-C-CO2 |      |
|--------------------------------|------|
| DIMENSIONS                     | (mm) |
| A                              | 532  |
| B                              | 125  |
| C                              | 19   |
| D                              | 536  |
| E                              | 400  |
| F                              | 220  |
| INTERNAL GRID HEIGHT           | 265  |
| EXTERNAL GRID HEIGHT           | 292  |
| HEAT RECOVERY UNIT BOX         | 289  |

AVAILABLE FROM APRIL 2020

| CODE      | DESCRIPTION   |
|-----------|---|
| ACD200020 | "COMFORT+CO2 AIR PUR 3 PLUS WI-C-CO2" WALL MOUNTED CROSS-FLOW STATIC HEAT RECOVERY UNIT MODEL 160 |
| ACD200021 | "COMFORT+CO2 AIR PUR 3 PLUS WI-C-CO2" WALL MOUNTED CROSS-FLOW STATIC HEAT RECOVERY UNIT MODEL 230 |
| ACD200022 | "COMFORT+CO2 AIR PUR 3 PLUS WI-C-CO2" WALL MOUNTED CROSS-FLOW STATIC HEAT RECOVERY UNIT MODEL 300 |

# BUILT-IN AND WALL-MOUNTED HEAT RECOVERY UNIT MODELS 160 - 230 - 300

CHARACTERISED BY AN INNOVATIVE DESIGN THAT IS BOTH ATTRACTIVE AND HIGHLY FUNCTIONAL, TECNOSYSTEMI'S BUILT-IN HEAT RECOVERY UNITS ARE EASY TO INSTALL AND OFFER HIGH LEVELS OF PERFORMANCE.

3 MODELS ARE AVAILABLE, ALL SUPPLIED WITH A REMOTE CONTROL DEVICE THAT SWITCHES THE UNIT ON/OFF AND REGULATES THE 3 OPERATING SPEEDS.

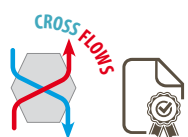
THE NEW PANEL COMPLETE WITH LEDS, ENABLES THE USER TO CHECK THE UNIT'S OPERATION AND TO ALSO MAKE SETTINGS MANUALLY



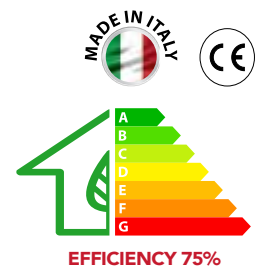
**BUILT-IN MODEL**

**WALL-MOUNTED MODEL**

- ✓ 2 CROSS FLOW HEAT EXCHANGER IN PLASTIC, REMOVABLE AND WASHABLE
- ✓ ELEGANT DESIGN, FITTING TO ALL INTERIOR DESIGNS
- ✓ EQUIPPED WITH THE REMOTE CONTROL, 3 SPEEDS AND 5 OPERATING MODES
- ✓ DASHBOARD WITH 5 MULTI-FUNCTIONAL LEDS
- ✓ INCORPORATED HYGROSTAT WITH 40/50/60% SETTINGS



**ACCESSORIES**



**REMOTE CONTROL INCLUDED**



**REAR VIEW**



**EXTERNAL AESTHETIC GRID**



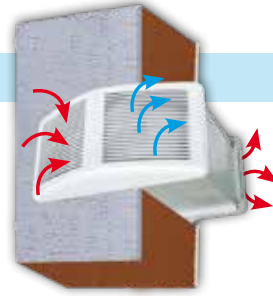
**EXTRACTABLE PLASTIC EXCHANGE PACK**

# OPERATING MODES



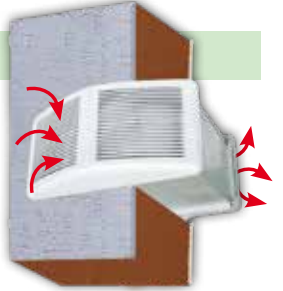
## RECOVERY

THE DEVICE WORKS AT THE SAME TIME IN EXTRACTION MODE AND IN AERATION MODE, WITH THE OPTION TO REGULATE THE THREE SPEEDS.



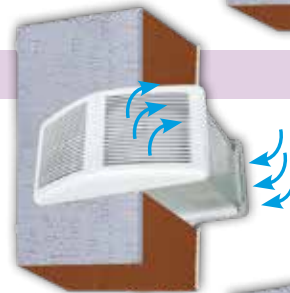
## EXTRACTION

THE DEVICE WORKS IN INTERNAL AIR EXTRACTION MODE ONLY, WITH THE OPTION TO REGULATE THE THREE SPEEDS.



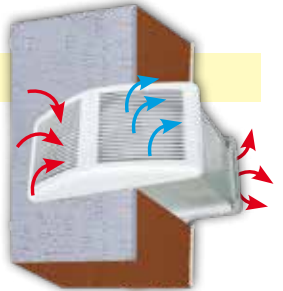
## AERATION

THE DEVICE WORKS IN AERATION MODE ONLY, ASPIRATING EXTERNAL AIR AND INTRODUCING IT INTO THE ROOM. OPTION TO REGULATE THE THREE SPEEDS PROVIDED.



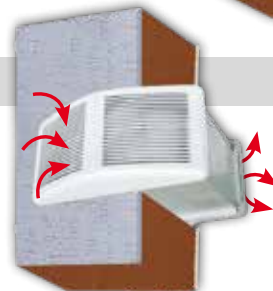
## AUTO1

THE DEVICE IS IN STANDBY. WHEN THE AIR IN THE ROOM EXCEEDS THE HUMIDITY LEVEL, THAT CAN BE SET AT 40%, 50% OR 60%, THE DEVICE SWITCHES INTO EXTRACTION / AERATION MODE UNTIL THE HUMIDITY LEVEL FALLS WITHIN THE SET VALUE.



## AUTO2

THE DEVICE IS IN STANDBY. WHEN THE AIR IN THE ROOM EXCEEDS THE HUMIDITY LEVEL, THAT CAN BE SET AT 40%, 50% OR 60%, THE DEVICE SWITCHES INTO EXTRACTION ONLY MODE UNTIL THE HUMIDITY LEVEL FALLS WITHIN THE SET VALUE.



## FILTER MAINTENANCE

THE RED FLASHING LED INDICATES THAT FILTER MAINTENANCE IS REQUIRED.

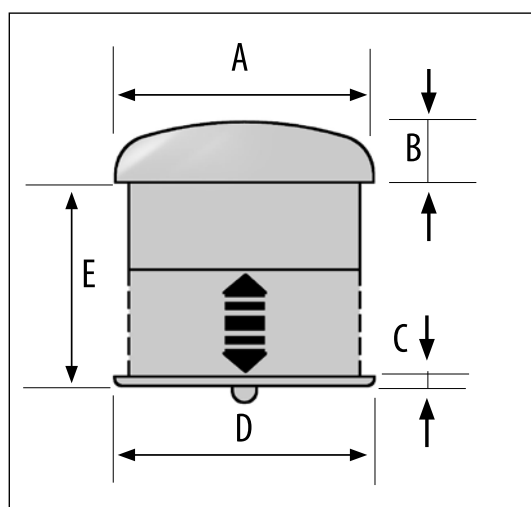
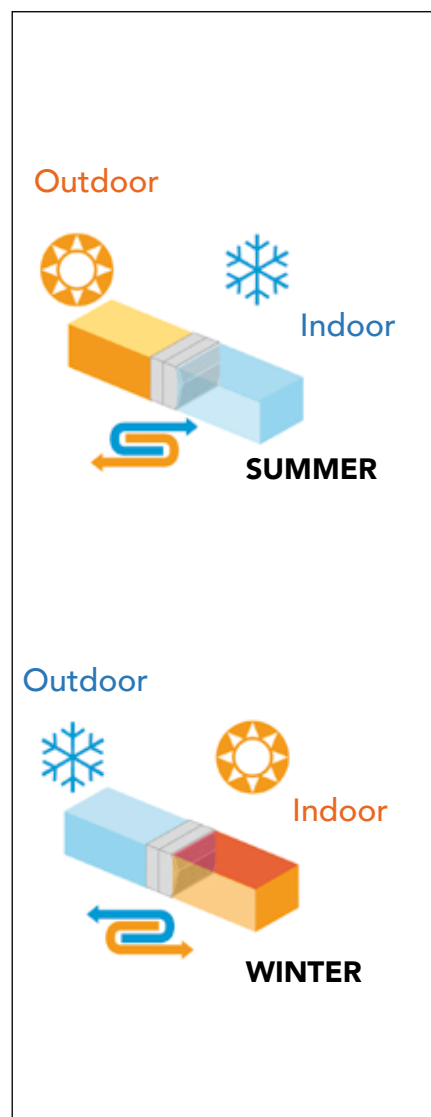
## SETTING THE LEVEL OF HUMIDITY

WHEN THE BLUE LED TURNS ON, IT INDICATES ACCESS TO THE HUMIDITY VALUE SETTINGS MODE. IT IS POSSIBLE TO SET THE HUMIDITY THRESHOLD ON THREE DIFFERENT VALUES 40%, 50%, 60%

REMOTE CONTROL DEVICE INCLUDED

## TECHNICAL FEATURES BUILT-IN MODEL

| MODEL                          | 160       | 230       | 300       |
|--------------------------------|-----------|-----------|-----------|
| SUPPLY VOLTAGE                 | 230 V     | 230 V     | 230 V     |
| FREQUENCY                      | 50 Hz     | 50 Hz     | 50 Hz     |
| MAXIMUM POWER                  | 30 W      | 70 W      | 70 W      |
| PROTECTION RATING              | IP 20     |           |           |
| AIR EXCHANGE EFFICIENCY        | I°: 76%   | I°: 72%   | I°: 67%   |
|                                | II°: 74%  | II°: 70%  | II°: 64%  |
|                                | III°: 73% | III°: 68% | III°: 60% |
| AIR DELIVERY M <sup>3</sup> /H | I°: 70    | I°: 92    | I°: 150   |
|                                | II°: 120  | II°: 166  | II°: 264  |
|                                | III°: 161 | III°: 230 | III°: 300 |
| MAX. NOISE LEVEL DB(A)         | I°: 36    | I°: 36    | I°: 40    |
|                                | II°: 44   | II°: 45   | II°: 51   |
|                                | III°: 48  | III°: 49  | III°: 53  |
| WEIGHT kg                      | 18        | 19        | 19        |
| Ø HOLE IN WALL (mm)            | 230 x 490 | 230 x 490 | 230 x 490 |

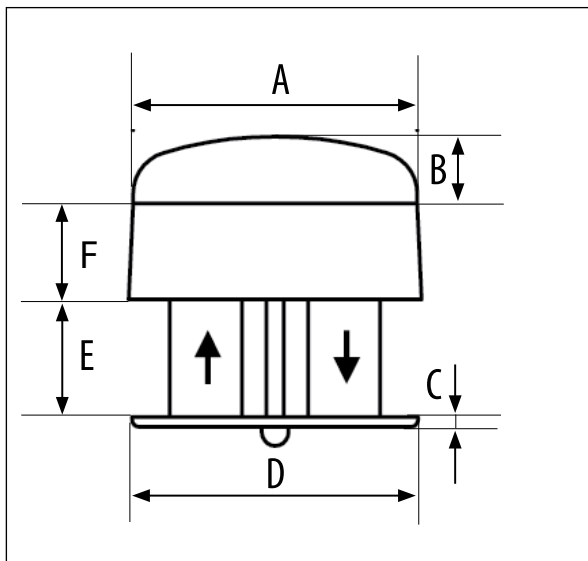
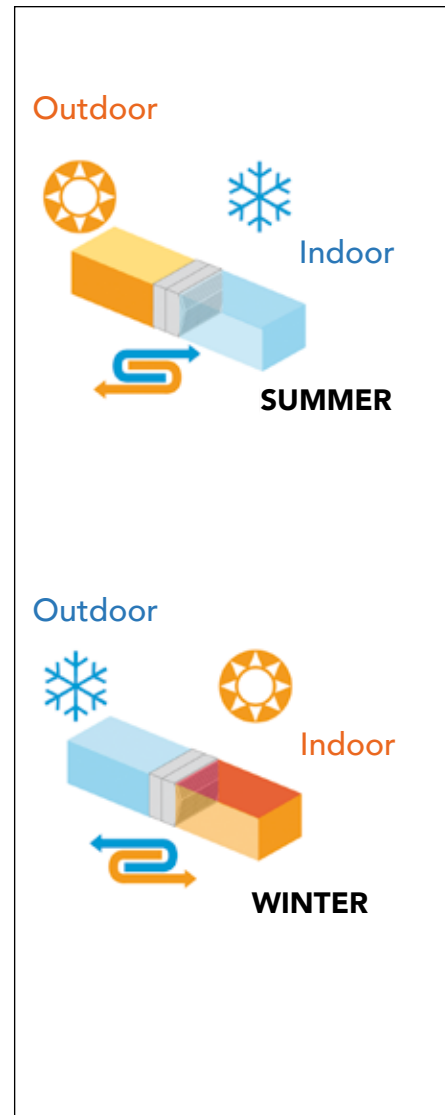


| DIMENSIONS                   | (mm)    |
|------------------------------|---------|
| <b>MODEL 160 / 230 / 300</b> |         |
| A                            | 532     |
| B                            | 125     |
| C                            | 19      |
| D                            | 536     |
| E                            | 220/400 |
| INTERNAL GRID HEIGHT         | 265     |
| EXTERNAL GRID HEIGHT         | 292     |
| HEAT RECOVERY UNIT BOX       | 220     |

| CODE      | DESCRIPTION   |
|-----------|---|
| ACD100031 | BUILT-IN CROSS-FLOW STATIC HEAT RECOVERY UNIT MODEL 160 |
| ACD100032 | BUILT-IN CROSS-FLOW STATIC HEAT RECOVERY UNIT MODEL 230 |
| ACD100033 | BUILT-IN CROSS-FLOW STATIC HEAT RECOVERY UNIT MODEL 300 |

## TECHNICAL FEATURES WALL-MOUNTED MODEL

| MODEL  | 160       | 230       | 300       |
|--|-----------|-----------|-----------|
| SUPPLY VOLTAGE   | 230 V     | 230 V     | 230 V     |
| FREQUENCY  | 50 Hz     | 50 Hz     | 50 Hz     |
| MAXIMUM POWER  | 30 W      | 70 W      | 70 W      |
| PROTECTION RATING  | IP 20     |           |           |
| HEAT EXCHANGE EFFICIENCY<br>(IN RELATION TO THE<br>THREE SPEEDS)     | I°: 76%   | I°: 72%   | I°: 67%   |
|  | II°: 74%  | II°: 70%  | II°: 64%  |
|  | III°: 73% | III°: 68% | III°: 60% |
| AIR OUTPUT m <sup>3</sup> /h<br>(IN RELATION TO THE<br>THREE SPEEDS) | I°: 70    | I°: 92    | I°: 150   |
|  | II°: 120  | II°: 166  | II°: 264  |
|  | III°: 161 | III°: 230 | III°: 300 |
| MAX SOUND RATING dB(A)<br>(IN RELATION TO THE<br>THREE SPEEDS)       | I°: 36    | I°: 36    | I°: 40    |
|  | II°: 44   | II°: 45   | II°: 51   |
|  | III°: 48  | III°: 49  | III°: 53  |
| WEIGHT kg  | 21        | 22        | 22        |
| Ø HOLE IN WALL (mm)  | 170       | 170       | 170       |



| DIMENSIONS                   | (mm) |
|------------------------------|------|
| <b>MODEL 160 / 230 / 300</b> |      |
| A                            | 532  |
| B                            | 125  |
| C                            | 19   |
| D                            | 536  |
| E                            | 400  |
| F                            | 220  |
| INTERNAL GRID HEIGHT         | 265  |
| EXTERNAL GRID HEIGHT         | 292  |
| HEAT RECOVERY UNIT BOX       | 289  |

| CODE      | DESCRIPTION   |
|-----------|---|
| ACD100034 | WALL MOUNTED CROSS-FLOW STATIC HEAT RECOVERY UNIT MODEL 160 |
| ACD100035 | WALL MOUNTED CROSS-FLOW STATIC HEAT RECOVERY UNIT MODEL 230 |
| ACD100036 | WALL MOUNTED CROSS-FLOW STATIC HEAT RECOVERY UNIT MODEL 300 |



# TOTAL AIR<sup>EVO PLUS wi</sup>

## EASILY CONTROLLED BY SMARTPHONE AND TABLET

THE HEAT RECOVERY UNIT IS PROVIDED WITH ETHERNET, WHICH CONNECTS YOU TO THE UNIT WHEN CONNECTED TO THE LOCAL NETWORK ROUTER BY MEANS OF A TOTAL AIR INTERFACE ON YOUR CELL PHONE.

IF YOU DO NOT HAVE A NETWORK CONNECTION, YOU CAN CONNECT THE UNIT DIRECTLY TO A WI-FI AERIAL AND CHECK THE SIGNAL ON YOUR SMART PHONE OR TABLET.



Heat recovery unit

### COOLING

**For use in summer.** If the outdoor temperature is above the indoor one, **the machine operates as a normal heat recovery unit.** If the outdoor temperature is below the indoor one (e.g. during the night), **the machine automatically inputs air straight from outside**, bypassing the heat exchanger pack and saving energy.

### SETTING

This function is used to view the time-setting parameters.

### ALARM

The icon shows that the **heat recovery filters are dirty** and need maintenance.

### CLEAN (optional)

To activate if the system includes a CO<sub>2</sub> or VOC sensor (Volatile Organic Compounds). **The machine turns on automatically** to change the air for the set cooling or heating function.

### HEATING

**For use in winter.** If the outdoor temperature is below the indoor one, **the machine operates as a normal heat recovery unit.** If the outdoor temperature is above the indoor one (e.g. during the day), **the machine automatically inputs air straight from outside**, bypassing the heat exchanger pack and saving energy.

### RESERVED AREA

**Configuration of the heat recovery unit functions.** This function can only be used by the installer or after-sales service personnel.



Low speed

Medium speed

Maximum speed

✓ SIMPLE

✓ QUICK

✓ INTUITIVE

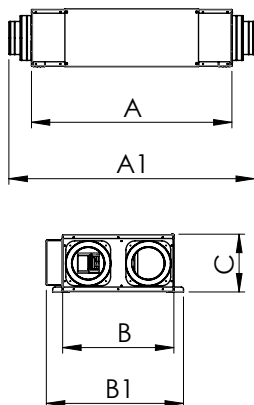
# HIGH-EFFICIENCY, CEILING MOUNTED, DUCTED STATIC HEAT RECOVERY UNITS WITH AUTOMATIC MECHANICAL BYPASS

## TECHNICAL FEATURES

- FOR SUSPENDED CEILING INSTALLATIONS
- COMPLETE WITH WALL CONTROL PANEL WITH DIRTY FILTER ALARM
- PROVIDED WITH AN ETHERNET BOARD
- POWER SUPPLY: 230V - 50 Hz
- GRADE G4 EXTRACTABLE FILTER
- COUPLING: Ø 150 mm
- HIGH-EFFICIENCY POLYSTYRENE EXCHANGE PACK
- REMOVABLE SUPPLY AND RETURN FILTERS
- EQUIPPED WITH CONDENSATE DRAIN COUPLING
- EQUIPPED WITH AUTOMATIC DRIVE MECHANICAL BY PASS

CEILING MOUNTED

ON REQUEST GRADE F6 - F7 - F8 FILTERS



### DIMENSIONS

| A   | A1   | B   | B1  | C   |
|-----|------|-----|-----|-----|
| 850 | 1050 | 500 | 615 | 260 |

# TOTAL AIR 200P EVO PLUS wi



WI-FI

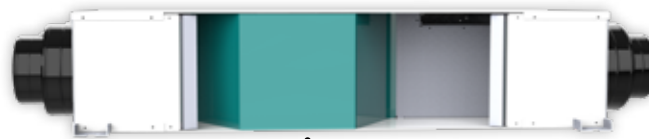
THIS HEAT RECOVERY UNIT **HAS BEEN DEVELOPED TO SAVE THERMAL ENERGY** BY RECOVERING THE HEAT, IT GRANTS **ENERGY SAVING** BOTH IN DOMESTIC AND COMMERCIAL BUILDINGS.

IT SUPPLIES THE CONTINUOUS CHANGE OF AIR IN HOUSES, OFFICES, HOTELS AND OTHER ENVIRONMENTS THROUGH THE MECHANICAL VENTILATION.

**IT FILTERS AND WARMS UP THE INLET AIR BY USING THE WARMTH LEFT BY THE EXHAUST AIR.**



SIDE VIEW



FILTER LATERAL EXTRACTION

FILTER LATERAL EXTRACTION

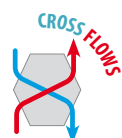
EXCHANGE PACK LATERAL EXTRACTION



Heat recovery unit



WI-FI CONTROL MODE



WALL CONTROL PANEL

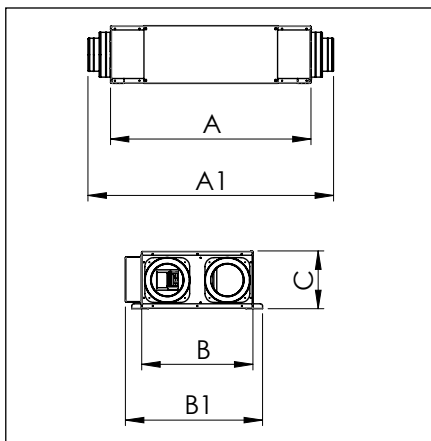
# HIGH-EFFICIENCY, CEILING MOUNTED, DUCTED STATIC HEAT RECOVERY UNITS WITH AUTOMATIC MECHANICAL BYPASS

## TECHNICAL FEATURES

- FOR SUSPENDED CEILING INSTALLATIONS
- COMPLETE WITH WALL CONTROL PANEL WITH DIRTY FILTER ALARM
- PROVIDED WITH AN ETHERNET BOARD
- POWER SUPPLY: 230 V - 50 Hz
- GRADE G4 EXTRACTABLE FILTER
- COUPLING: Ø 150 mm
- HIGH-EFFICIENCY POLYSTYRENE EXCHANGE PACK
- REMOVABLE SUPPLY AND RETURN FILTERS
- EQUIPPED WITH CONDENSATE DRAIN COUPLING
- EQUIPPED WITH AUTOMATIC DRIVE MECHANICAL BY PASS

CEILING MOUNTED

ON REQUEST GRADE F6 - F7 - F8 FILTERS



| DIMENSIONS |      |     |     |     |
|------------|------|-----|-----|-----|
| A          | A1   | B   | B1  | C   |
| 850        | 1050 | 500 | 615 | 260 |

# TOTAL AIR 200Y EVO PLUS wi



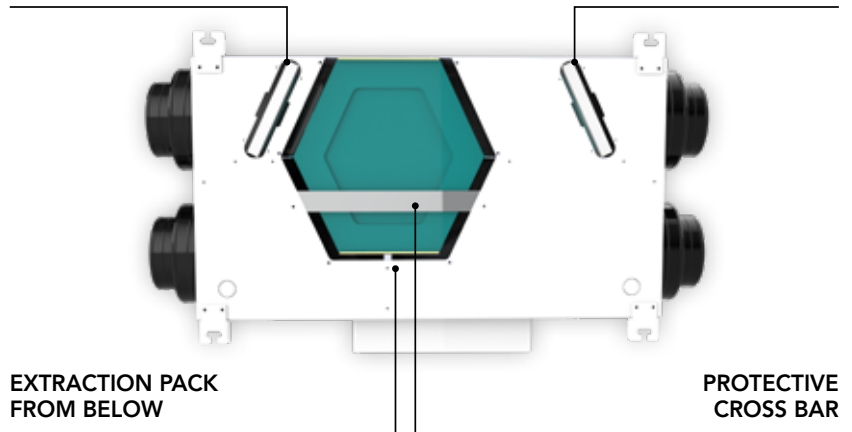
WI-FI



LOWER VIEW

FILTER LATERAL EXTRACTION

FILTER LATERAL EXTRACTION



EXTRACTION PACK FROM BELOW

PROTECTIVE CROSS BAR

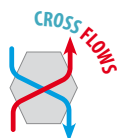
N.B. TO REMOVE THE FILTERS AND EXCHANGE PACK, FIRST REMOVE THE LOCKING CROSS BAR



Heat recovery unit



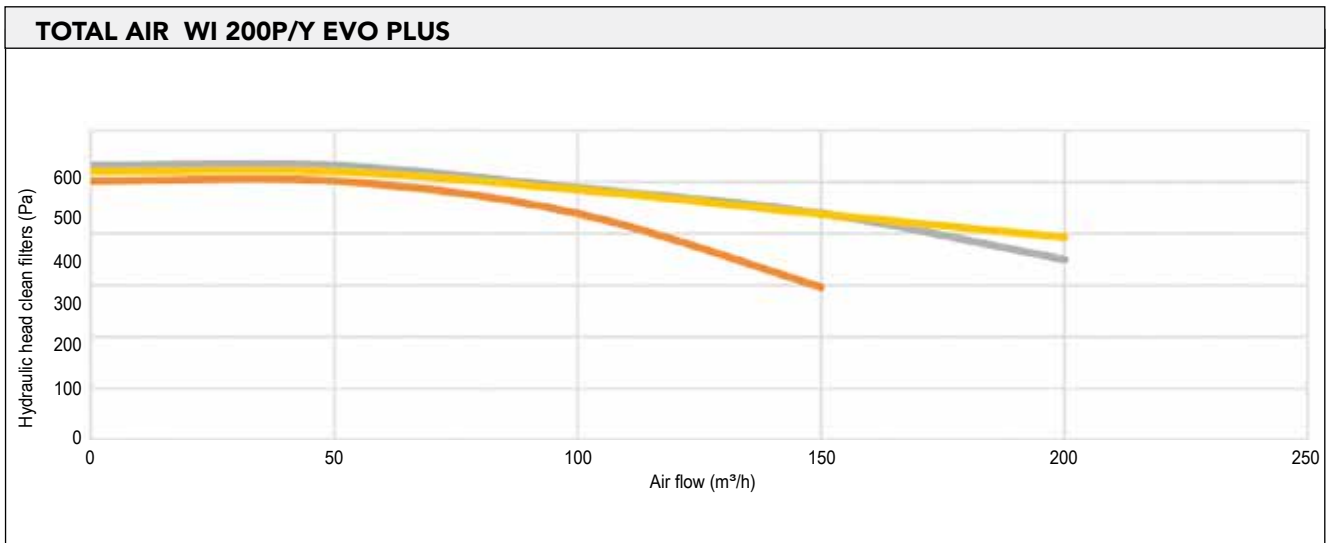
WI-FI CONTROL MODE



WALL CONTROL PANEL

# TOTAL AIR WI 200P - 200Y

— V1 — V2 — V3



## TECHNICAL FEATURES:

| MODEL                          | TOTAL AIR WI 200P/Y            |
|--------------------------------|--------------------------------|
| VOLTAGE 50 Hz (V)              | 1 - 230V                       |
| MOTORS MAXIMUM RATED POWER (W) | 200                            |
| MOTORS CURRENT (A)             | 1,94                           |
| FLOW-SPEED (m³/h)              | 200                            |
| NOISE AT 3 mt dB(A)            | 38                             |
| CASE MATERIAL                  | ELECTRO-GALVANISED METAL SHEET |
| INSULATION                     | CLOSED POLYETHYLENE CELL 3 mm  |
| FILTER: SUPPLY / RETURN        | G4                             |
| DUCTS DIAMETER (mm)            | Ø150/200                       |
| EFFICIENCY                     | 92%                            |
| TYPE OF HEAT RECOVERY UNIT     | CROSS - FLOW                   |

AVAILABLE FROM FEBRUARY 2020

| CODE      | DESCRIPTION  |
|-----------|--|
| ACD200001 | HIGH EFFICIENCY 'TOTAL AIR 200P EVO PLUS' WI CEILING HEAT RECOVERY UNIT                            |
| ACD200003 | HIGH EFFICIENCY 'TOTAL AIR 200Y EVO PLUS' WI CEILING HEAT RECOVERY UNIT WITH INSPECTION FROM BELOW |

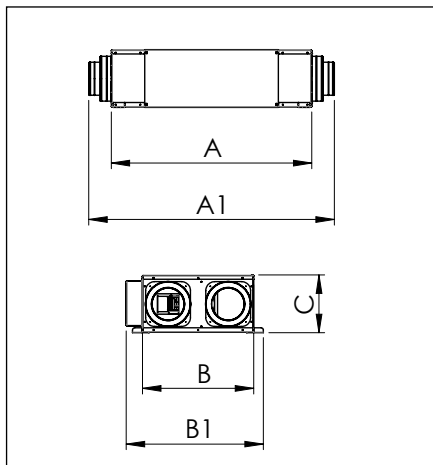
# HIGH-EFFICIENCY, CEILING MOUNTED, DUCTED STATIC HEAT RECOVERY UNITS WITH AUTOMATIC MECHANICAL BYPASS

## TECHNICAL FEATURES

- FOR SUSPENDED CEILING INSTALLATIONS
- COMPLETE WITH WALL CONTROL PANEL WITH DIRTY FILTER ALARM
- POWER SUPPLY: 230V - 50 Hz
- GRADE G4 EXTRACTABLE FILTER
- COUPLING: Ø 150 mm
- HIGH-EFFICIENCY POLYSTYRENE EXCHANGE PACK
- REMOVABLE SUPPLY AND RETURN FILTERS
- EQUIPPED WITH CONDENSATE DRAIN COUPLING
- EQUIPPED WITH AUTOMATIC DRIVE MECHANICAL BY PASS

CEILING MOUNTED

ON REQUEST GRADE F6 - F7 - F8 FILTERS



### DIMENSIONS TOTAL AIR 200P EVO PLUS (mm)

| A   | A1   | B   | B1  | C   |
|-----|------|-----|-----|-----|
| 850 | 1050 | 500 | 615 | 260 |



WALL CONTROL PANEL

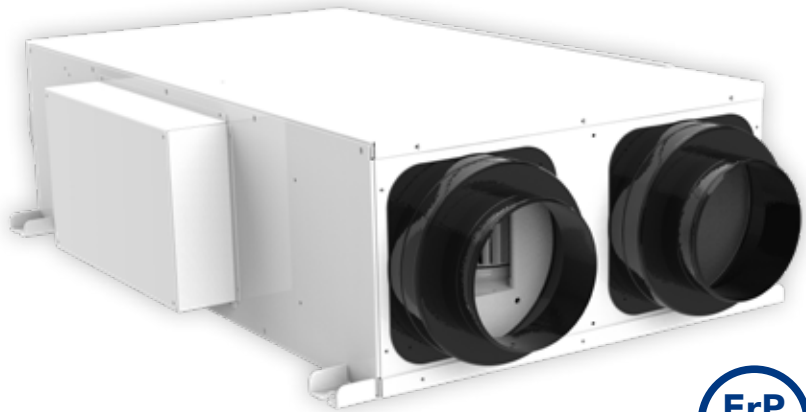
# TOTAL AIR 200P EVO PLUS



THIS HEAT RECOVERY UNIT **HAS BEEN DEVELOPED TO SAVE THERMAL ENERGY** BY RECOVERING THE HEAT, IT GRANTS **ENERGY SAVING** BOTH IN DOMESTIC AND COMMERCIAL BUILDINGS.

IT SUPPLIES THE CONTINUOUS CHANGE OF AIR IN HOUSES, OFFICES, HOTELS AND OTHER ENVIRONMENTS THROUGH THE MECHANICAL VENTILATION.

**IT FILTERS AND WARMS UP THE INLET AIR BY USING THE WARMTH LEFT BY THE EXHAUST AIR.**



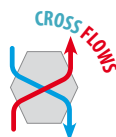
SIDE VIEW



FILTER LATERAL EXTRACTION

FILTER LATERAL EXTRACTION

EXCHANGE PACK LATERAL EXTRACTION



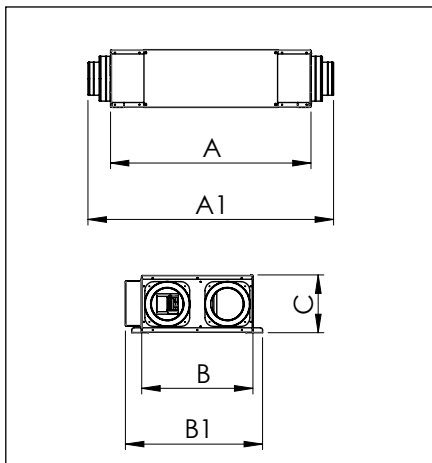
# HIGH-EFFICIENCY, CEILING MOUNTED, DUCTED STATIC HEAT RECOVERY UNITS WITH AUTOMATIC MECHANICAL BYPASS

## TECHNICAL FEATURES

- FOR SUSPENDED CEILING INSTALLATIONS
- COMPLETE WITH WALL CONTROL PANEL WITH DIRTY FILTER ALARM
- POWER SUPPLY: 230 V - 50 Hz
- GRADE G4 EXTRACTABLE FILTER
- COUPLING: Ø 150 mm
- HIGH-EFFICIENCY POLYSTYRENE EXCHANGE PACK
- REMOVABLE SUPPLY AND RETURN FILTERS
- EQUIPPED WITH CONDENSATE DRAIN COUPLING
- EQUIPPED WITH AUTOMATIC DRIVE MECHANICAL BY PASS

CEILING MOUNTED

ON REQUEST GRADE F6 - F7 - F8 FILTERS



### DIMENSIONS TOTAL AIR 200Y EVO PLUS (mm)

| A   | A1   | B   | B1  | C   |
|-----|------|-----|-----|-----|
| 850 | 1050 | 500 | 615 | 260 |



WALL CONTROL PANEL

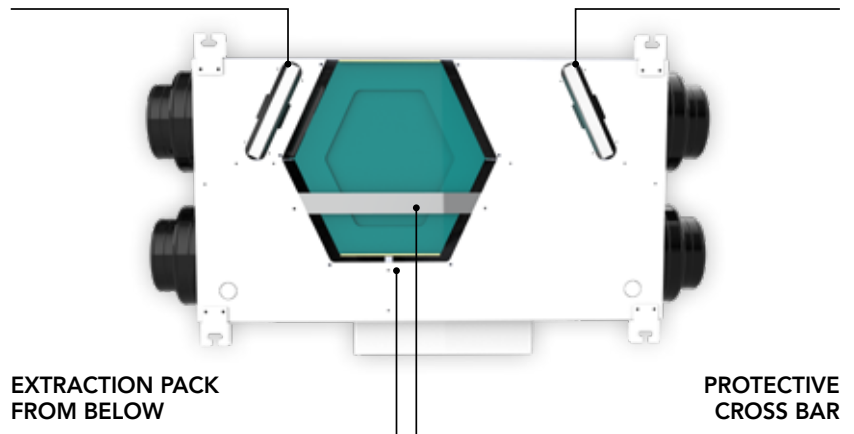
# TOTAL AIR 200Y EVO PLUS



LOWER VIEW

FILTER LATERAL EXTRACTION

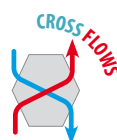
FILTER LATERAL EXTRACTION



EXTRACTION PACK FROM BELOW

PROTECTIVE CROSS BAR

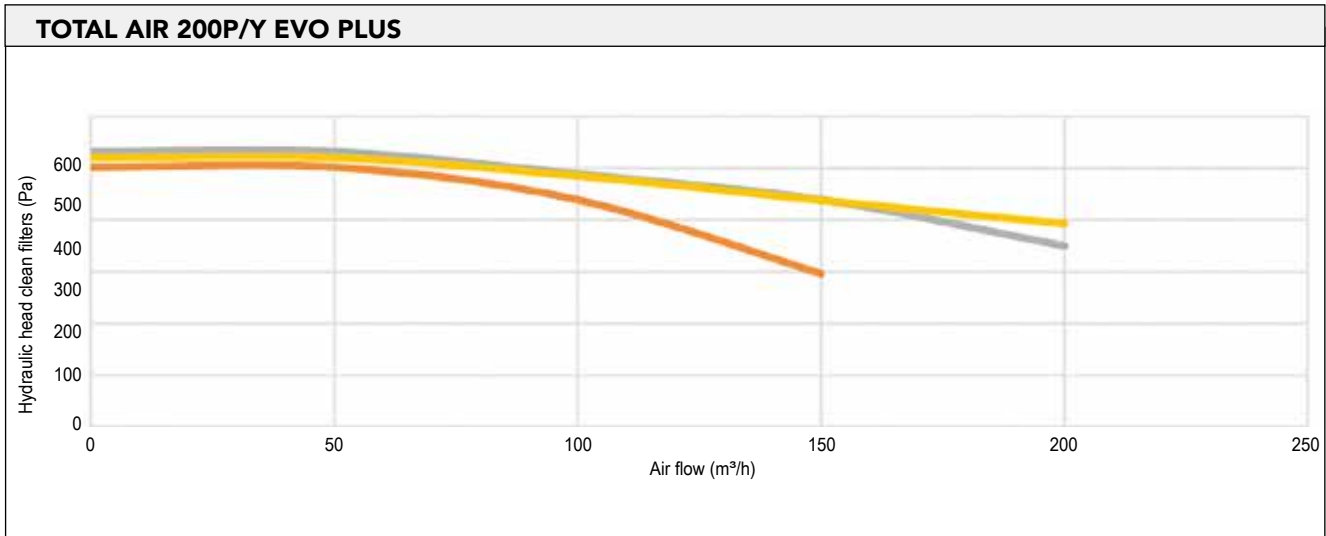
**N.B. TO REMOVE THE FILTERS AND EXCHANGE PACK, FIRST REMOVE THE LOCKING CROSS BAR**





# TOTAL AIR 200P - 200Y

— V1 — V2 — V3



| TECHNICAL FEATURES:            |                                |
|--------------------------------|--------------------------------|
| MODEL                          | TOTAL AIR 200P/Y               |
| VOLTAGE 50 Hz (V)              | 1 - 230V                       |
| MOTORS MAXIMUM RATED POWER (W) | 200                            |
| MOTORS CURRENT (A)             | 1,94                           |
| FLOW-SPEED (m³/h)              | 200                            |
| NOISE AT 3 mt dB(A)            | 38                             |
| CASE MATERIAL                  | ELECTRO-GALVANISED METAL SHEET |
| INSULATION                     | CLOSED POLYETHYLENE CELL 3 mm  |
| FILTER: SUPPLY / RETURN        | G4                             |
| DUCTS DIAMETER (mm)            | Ø150/200                       |
| EFFICIENCY                     | 92%                            |
| TYPE OF HEAT RECOVERY UNIT     | CROSS - FLOW                   |

| CODE      | DESCRIPTION   |
|-----------|---|
| ACD200024 | HIGH EFFICIENCY 'TOTAL AIR 200P EVO PLUS' CEILING HEAT RECOVERY UNIT                            |
| ACD200026 | HIGH EFFICIENCY 'TOTAL AIR 200Y EVO PLUS' CEILING HEAT RECOVERY UNIT WITH INSPECTION FROM BELOW |



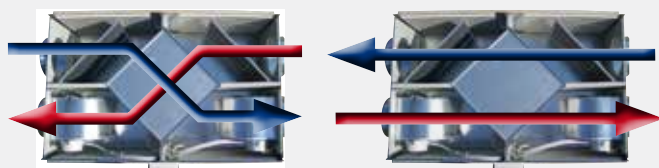
# STATIC CEILING-DUCTABLE HEAT



HEATING BATTERY  
ELECTRIC OR HOT-WATER  
OPERATED (AVAILABLE ON REQUEST)



HIGH-EFFICIENCY REMOVABLE  
AND WASHABLE  
PLASTIC EXCHANGE UNIT



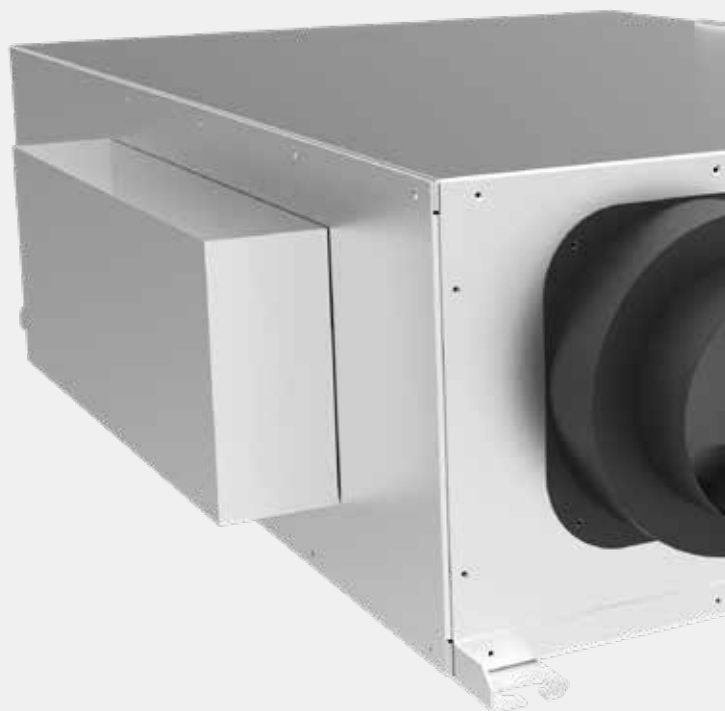
RETURN-SUPPLY



ELECTRONIC BY-PASS



FILTER MAINTENANCE ALARM



## CONTROL PANEL



OPERATING MODE



FAN SPEED



FILTER MAINTENANCE ALARM

set

SET POINT SETTING



CURRENT AND ACTIVE TIME SLOT



ACTUATOR IN OPERATION



# RECOVERY UNITS

# AIRPUR

EVO PLUS



THE AOP SYSTEM CAN OXIDIZE MICRO-ORGANISMS (BACTERIA, VIRUSES, MOLDS), GASES, ODORS AND VOLATILE ORGANIC COMPOUNDS WITHIN FRACTIONS OF A SECOND AND RESTORE OXYGEN AND HYDROGEN. OFTEN, A 99% REDUCTION IS REACHED WITHIN A 24-HR PERIOD.

## FINE DUST FILTER F6 - F7 - F8 (ON REQUEST)



# STATIC CEILING-DUCTABLE HEAT RECOVERY UNITS WITH AUTOMATIC MECHANICAL BY BASS

## TECHNICAL FEATURES

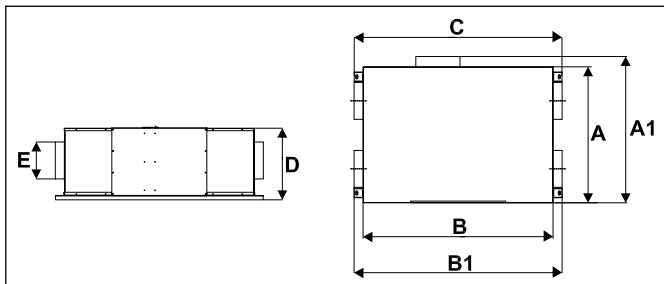
- EXCHANGE UNIT IN PLASTIC MATERIAL
- GRADE G4 EXTRACTABLE FILTER
- CONDENSATE DRAIN COUPLING
- INTERNAL INSULATION
- HEATING BATTERY (ON REQUEST)
- ANCHORING BRACKETS
- EQUIPPED WITH AUTOMATIC DRIVE MECHANICAL BY PASS
- COMPLETE WITH WALL CONTROL PANEL WITH DIRTY FILTER ALARM

# AIRPUR

## EVO PLUS



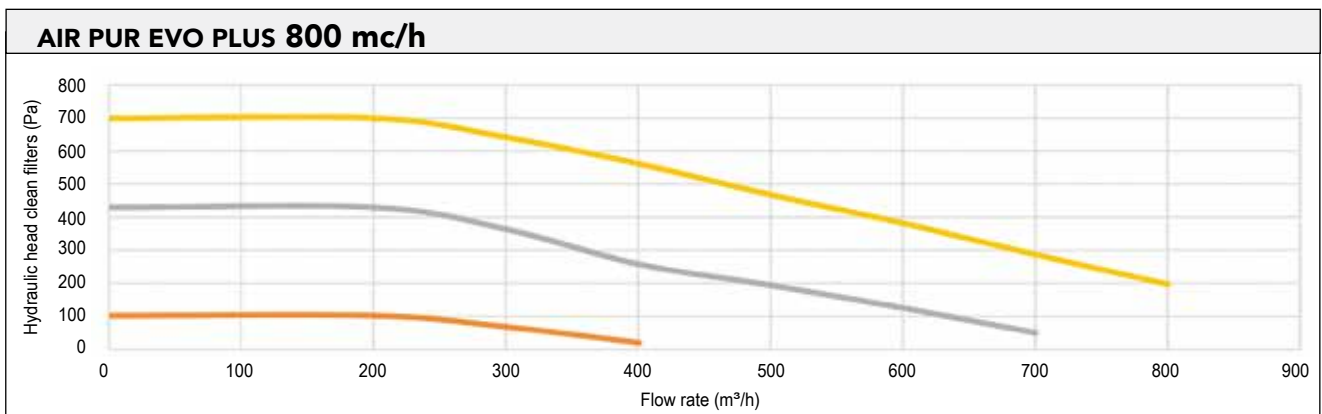
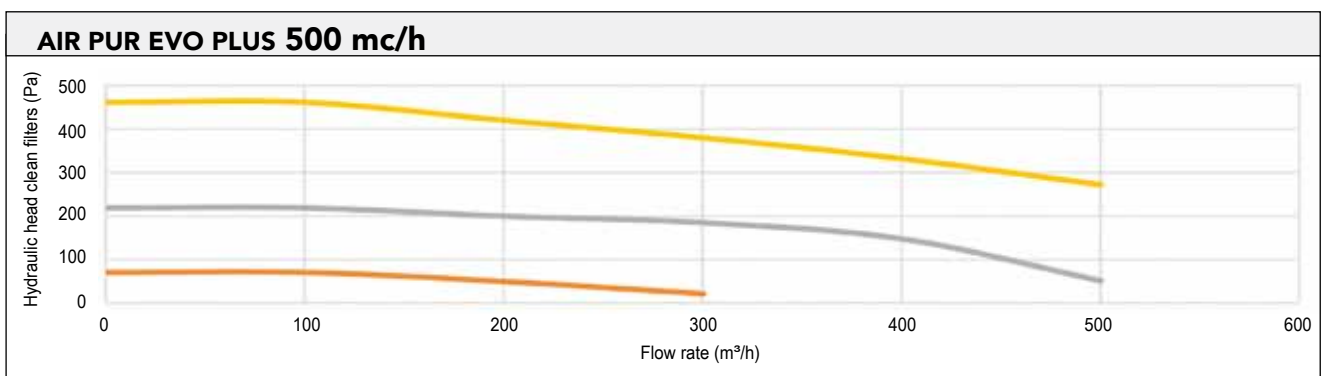
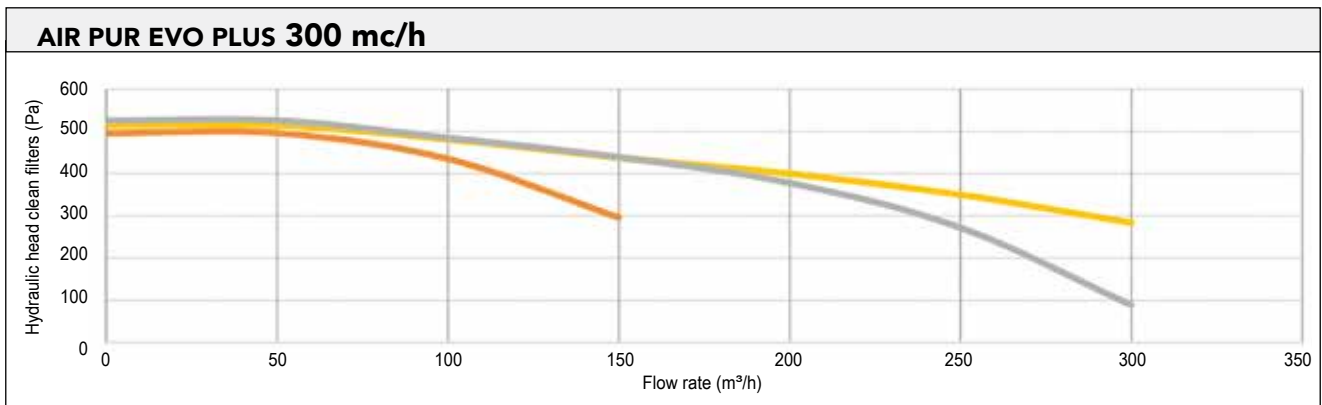
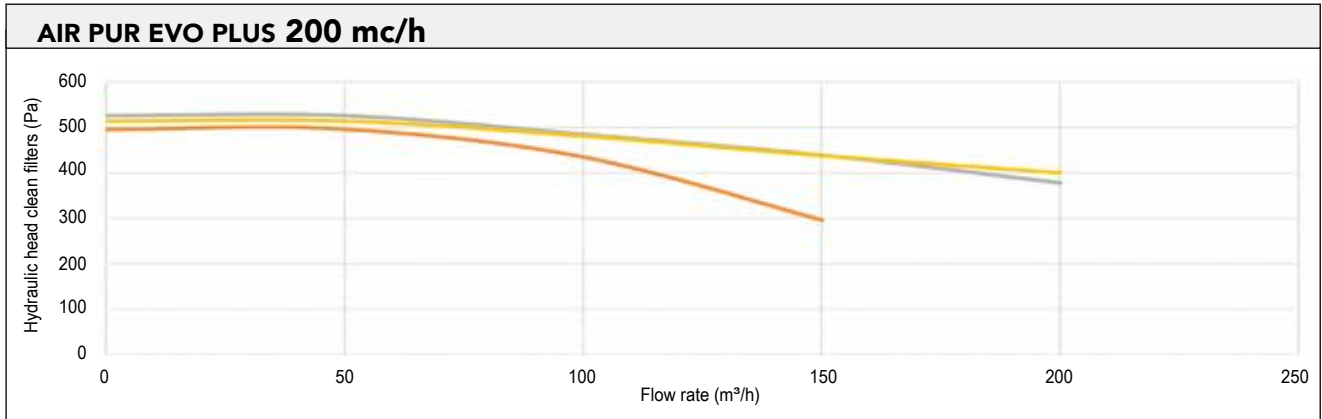
FILTERS CLASS F6-F7-F8  
ON REQUEST



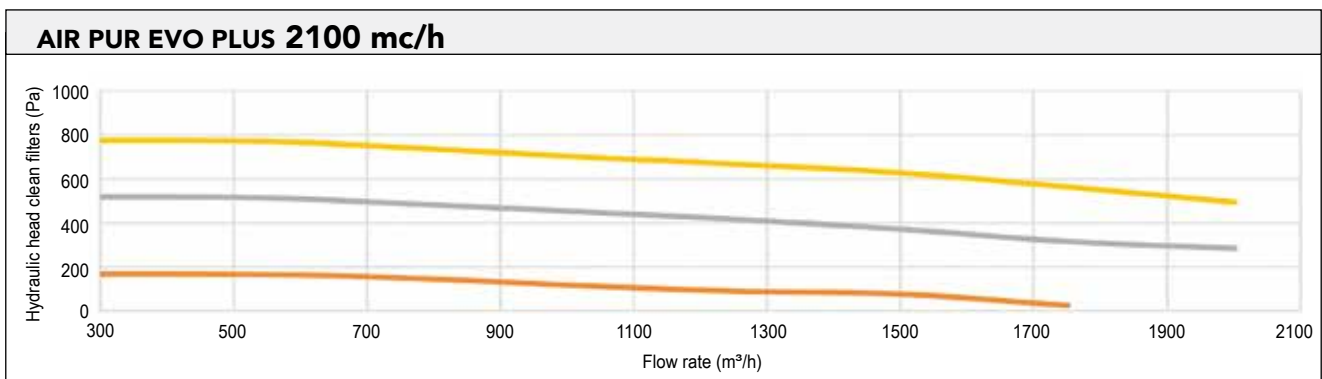
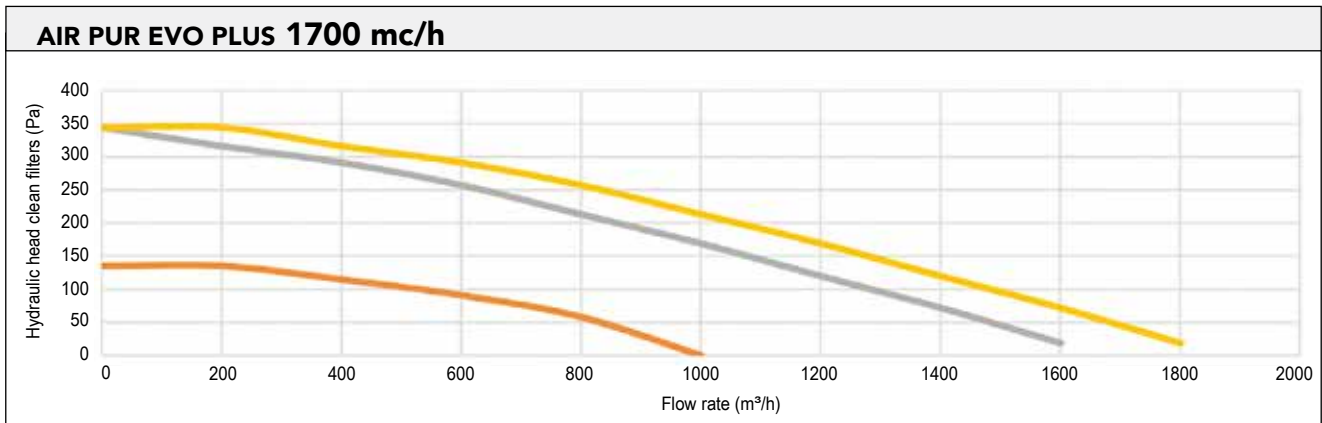
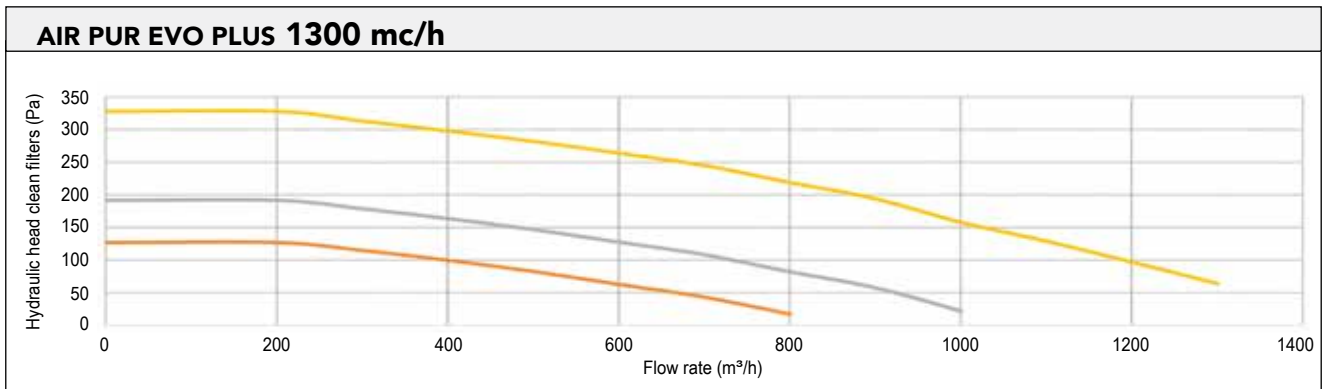
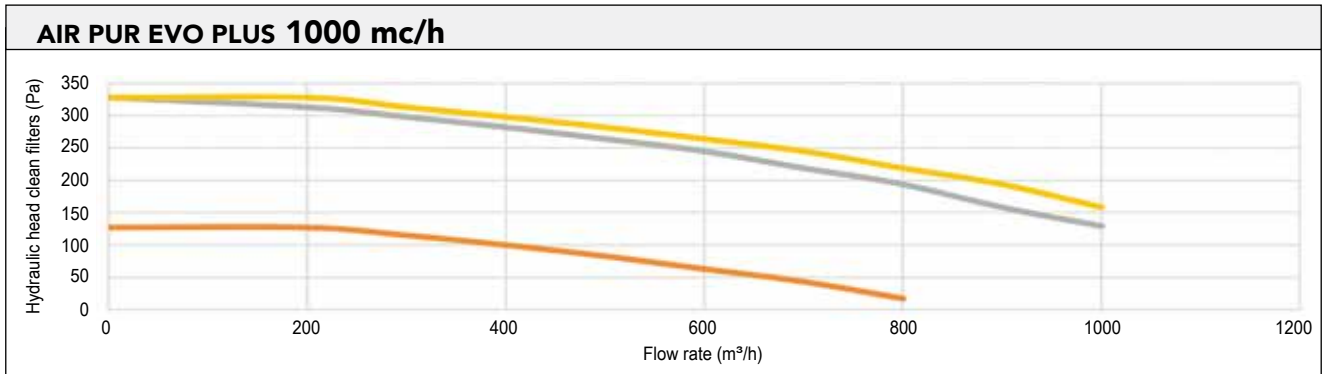
| MODEL          | AIR FLOW<br>m <sup>3</sup> /h | PRESSURE<br>(Pa) | EXCHANGE<br>EFFICIENCY (%) | Noise level<br>dB(A) | Volt          | Absorption<br>(W) | WEIGHT (kg) |
|----------------|-------------------------------|------------------|----------------------------|----------------------|---------------|-------------------|-------------|
| 200E EVO PLUS  | 200                           | 490              | 75                         | 38                   | 230/50 Hz     | 200               | 55          |
| 300E EVO PLUS  | 300                           | 430              | 75                         | 40                   | 230/50 Hz     | 200               | 55          |
| 500E EVO PLUS  | 500                           | 400              | 75                         | 42                   | 230/50 Hz     | 280               | 70          |
| 800E EVO PLUS  | 800                           | 400              | 75                         | 58                   | 230/50 Hz     | 420               | 84          |
| 1000E EVO PLUS | 1000                          | 340              | 74                         | 62                   | 230/50 Hz     | 1100              | 129         |
| 1300E EVO PLUS | 1300                          | 330              | 74                         | 65                   | 230/50 Hz     | 1100              | 135         |
| 1700E EVO PLUS | 1700                          | 315              | 72                         | 65                   | 230/50 Hz     | 1100              | 203         |
| 2100E EVO PLUS | 2100                          | 710              | 70                         | 68                   | 230/50 Hz     | 2080              | 207         |
| 2500E EVO PLUS | 2500                          | 690              | 70                         | 62                   | 230/50 Hz     | 2080              | 211         |
| 3000E EVO PLUS | 3000                          | 440              | 70                         | 64                   | 230/50 Hz     | 2080              | 225         |
| 4000E EVO PLUS | 4000                          | 540              | 70                         | 79                   | 400 V /3~50Hz | 3000              | 290         |

| CODE     | MODEL                    | DIMENSIONS (mm) |      |      |      |      |     |     |
|----------|--------------------------|-----------------|------|------|------|------|-----|-----|
|          |                          | A               | A1   | B    | B1   | C    | D   | E   |
| 12500020 | "AIR PUR 200E EVO PLUS"  | 650             | 720  | 950  | 1147 | 1006 | 280 | 150 |
| 12500050 | "AIR PUR 300E EVO PLUS"  | 650             | 720  | 950  | 1147 | 1006 | 280 | 150 |
| 12500080 | "AIR PUR 500E EVO PLUS"  | 750             | 820  | 1100 | 1297 | 1156 | 320 | 200 |
| 12500140 | "AIR PUR 800E EVO PLUS"  | 750             | 820  | 1100 | 1223 | 1156 | 377 | 250 |
| 12500170 | "AIR PUR 1000E EVO PLUS" | 930             | 1000 | 1300 | 1423 | 1421 | 490 | 250 |
| 12500200 | "AIR PUR 1300E EVO PLUS" | 930             | 1000 | 1300 | 1423 | 1421 | 490 | 250 |
| 12500230 | "AIR PUR 1700E EVO PLUS" | 1100            | 1170 | 1500 | 1623 | 1621 | 490 | 300 |
| 12500260 | "AIR PUR 2100E EVO PLUS" | 1300            | 1370 | 1600 | 1723 | 1721 | 540 | 350 |
| 12500290 | "AIR PUR 2500E EVO PLUS" | 1300            | 1370 | 1600 | 1723 | 1721 | 540 | 350 |
| 12500320 | "AIR PUR 3000E EVO PLUS" | 1300            | 1370 | 1600 | 1723 | 1721 | 540 | 350 |
| 12500350 | "AIR PUR 4000E EVO PLUS" | 1400            | 1470 | 1793 | 1793 | 1791 | 688 | 450 |

— V1 — V2 — V3

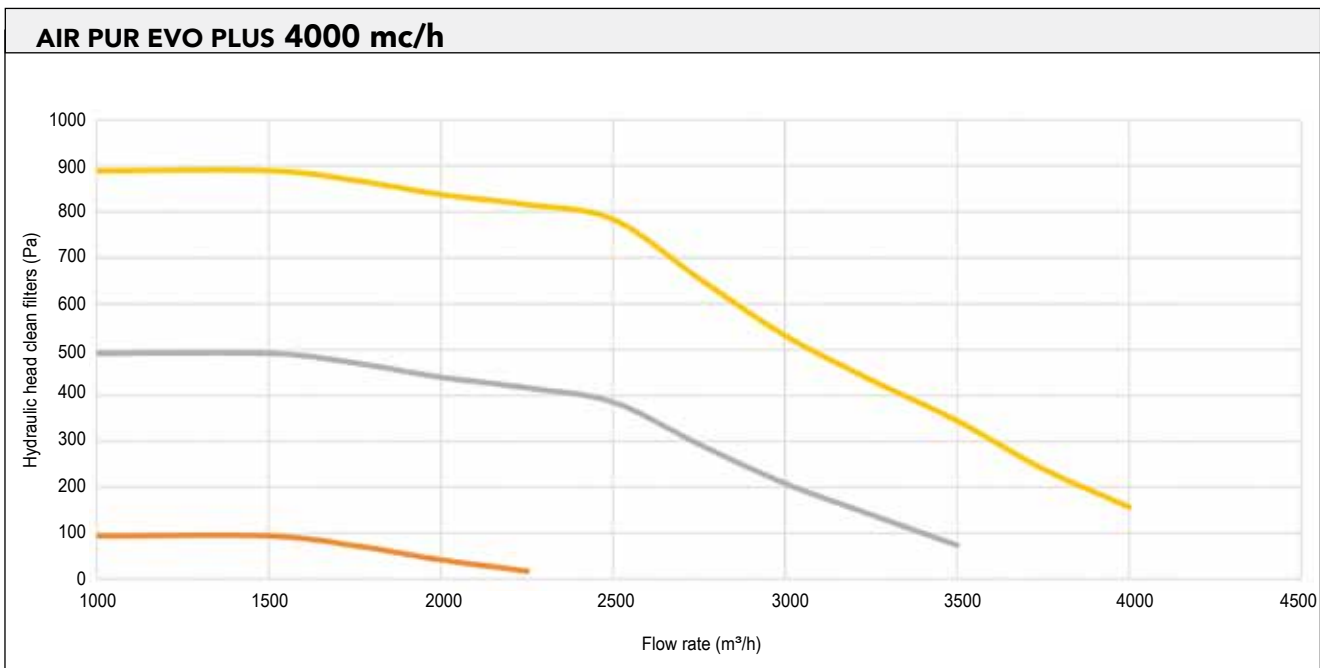
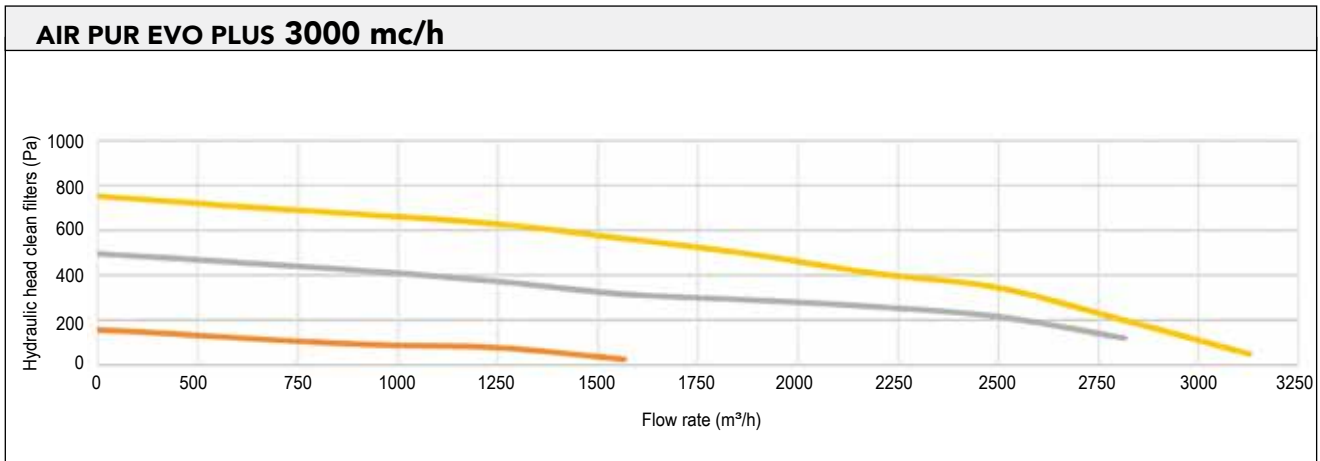
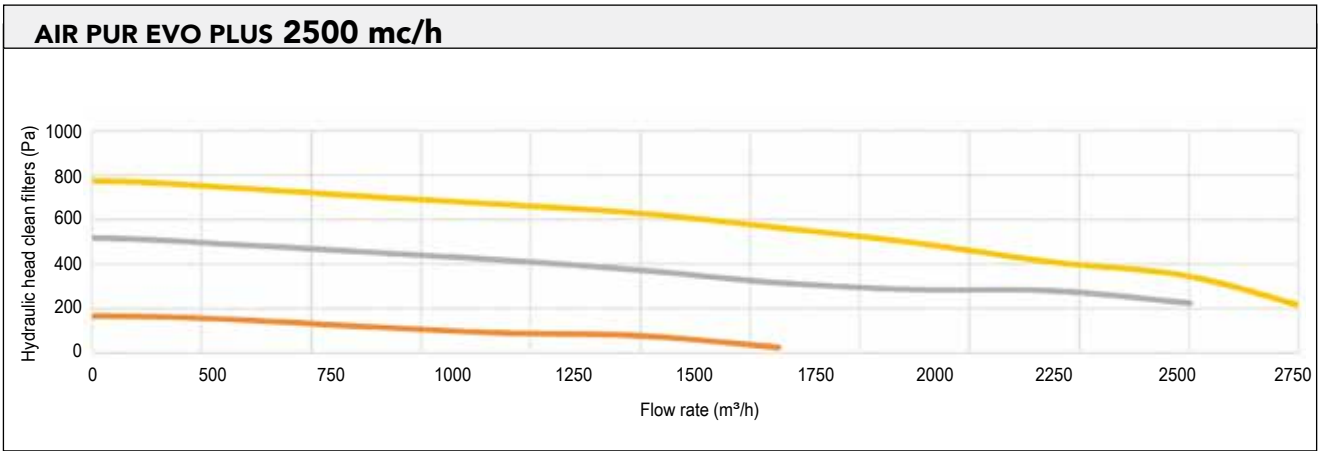


— V1 — V2 — V3





— V1 — V2 — V3



# STATIC CEILING-DUCTABLE HEAT RECOVERY UNITS WITH MECHANICAL BY PASS

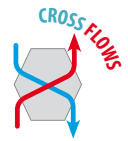
## TECHNICAL FEATURES

- EXCHANGE UNIT IN PLASTIC MATERIAL
- GRADE G4 EXTRACTABLE FILTER
- ATTACCO PER SCARICO CONDENSA
- CONDENSATE DRAIN COUPLING
- INTERNAL INSULATION
- HEATING BATTERY (ON REQUEST)
- ANCHORING BRACKETS
- EQUIPPED WITH AUTOMATIC DRIVE MECHANICAL BY PASS
- COMPLETE WITH WALL CONTROL PANEL WITH DIRTY FILTER ALARM

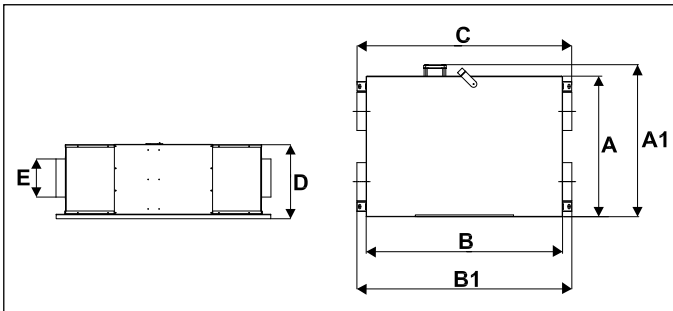
FILTERS CLASS F6-F7-F8  
ON REQUEST



# AIRPUR EVO



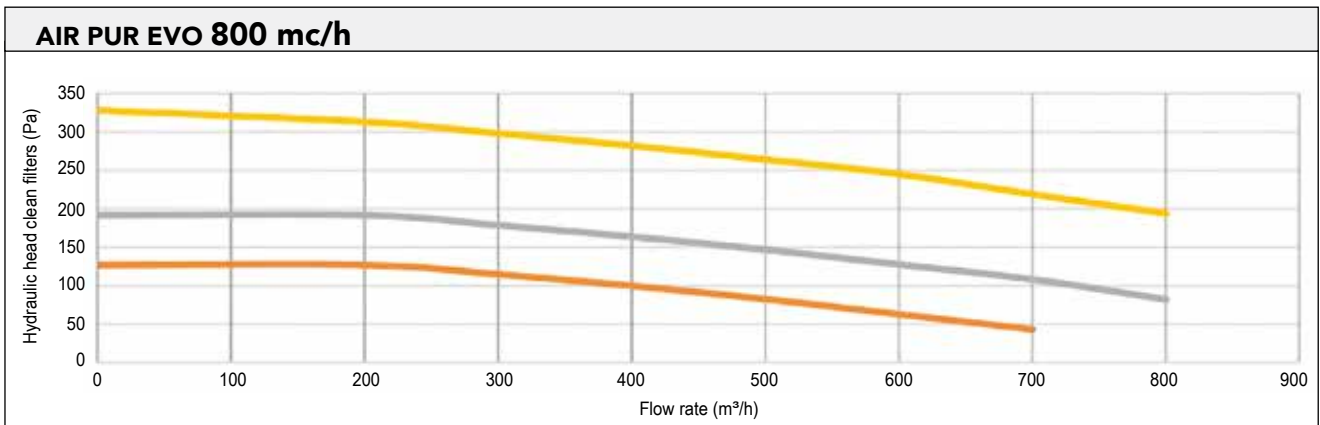
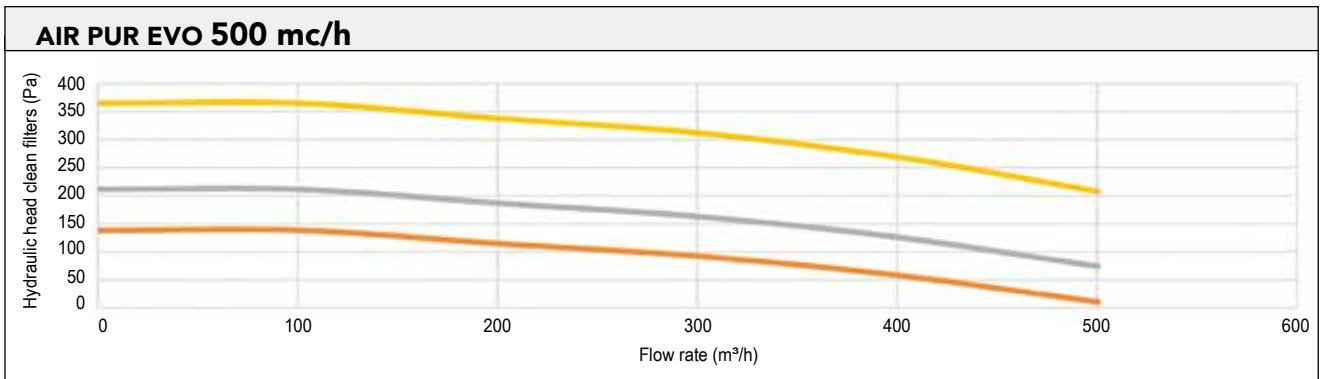
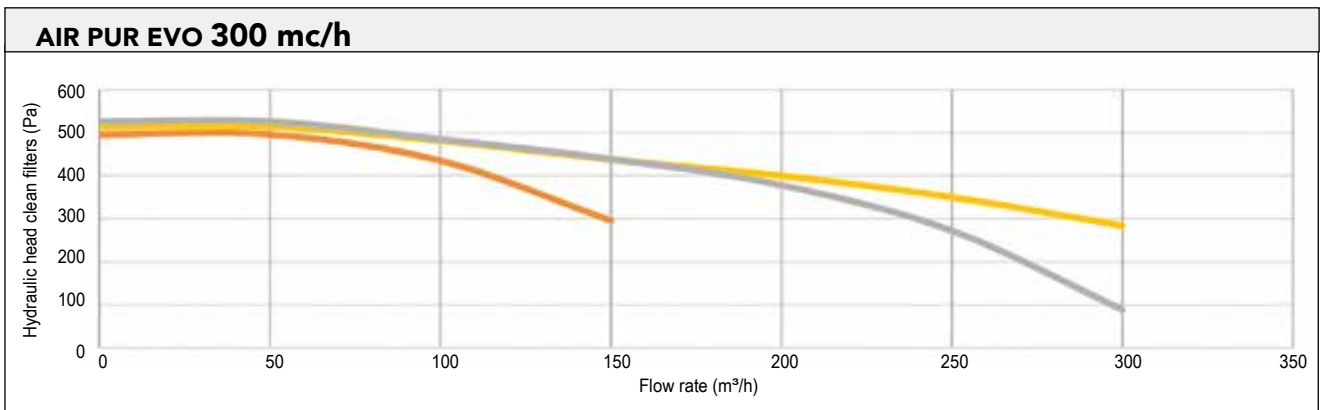
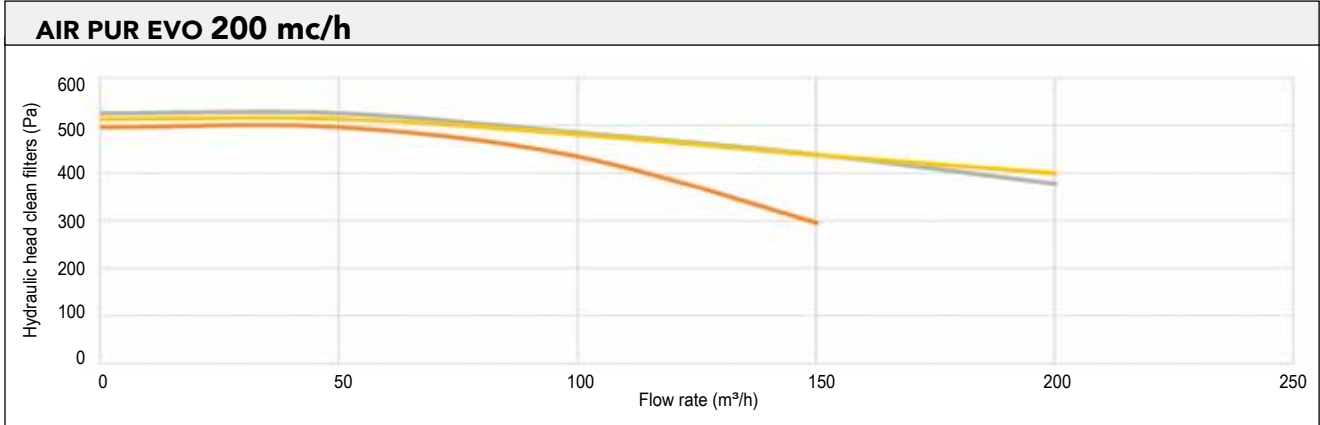
EQUIPPED WITH SPEED CONTROL



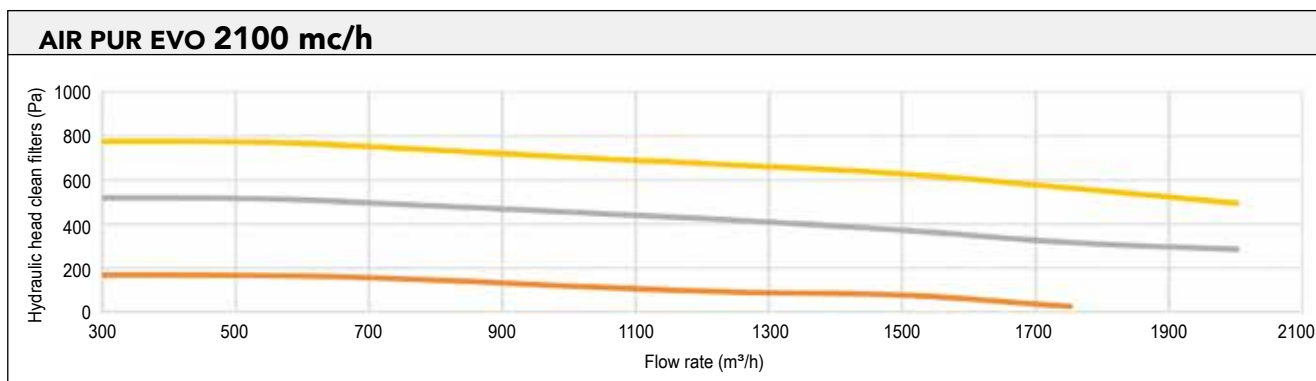
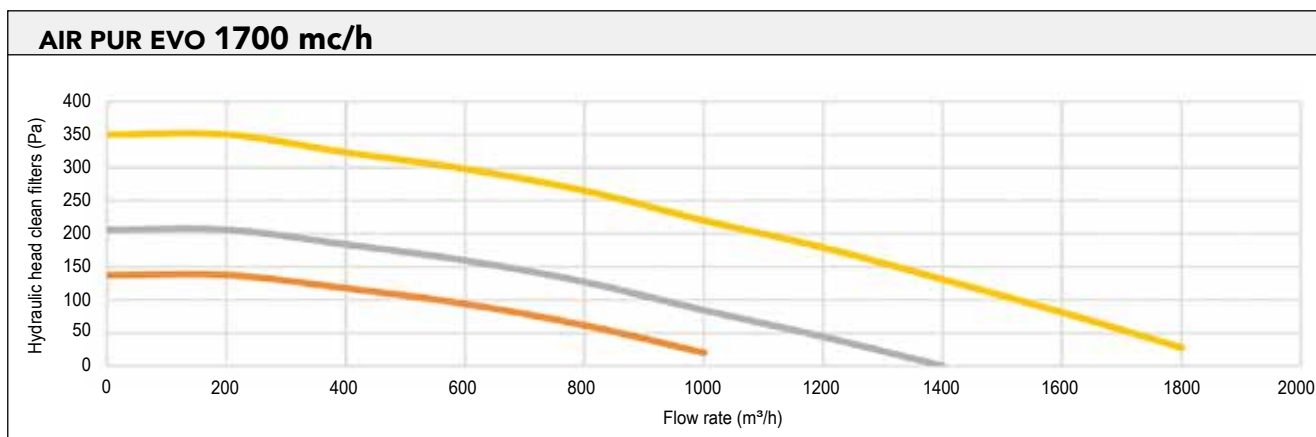
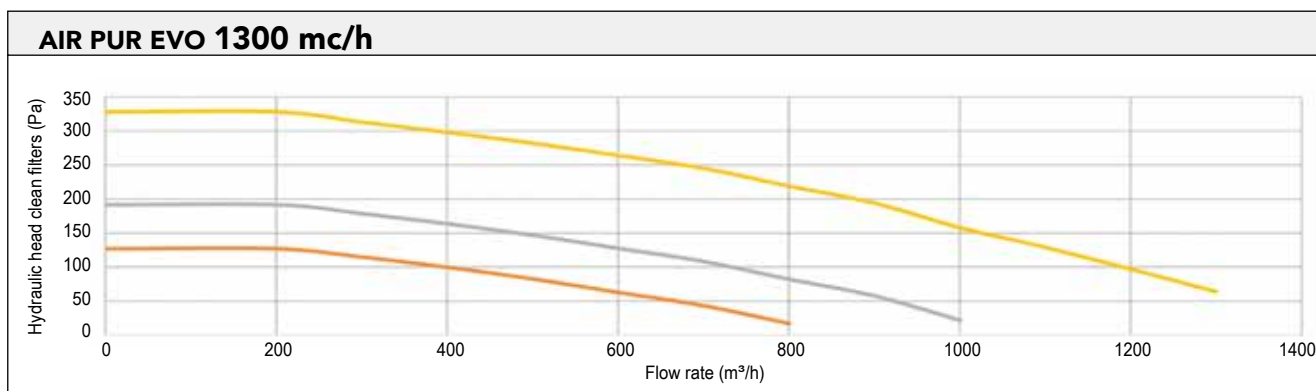
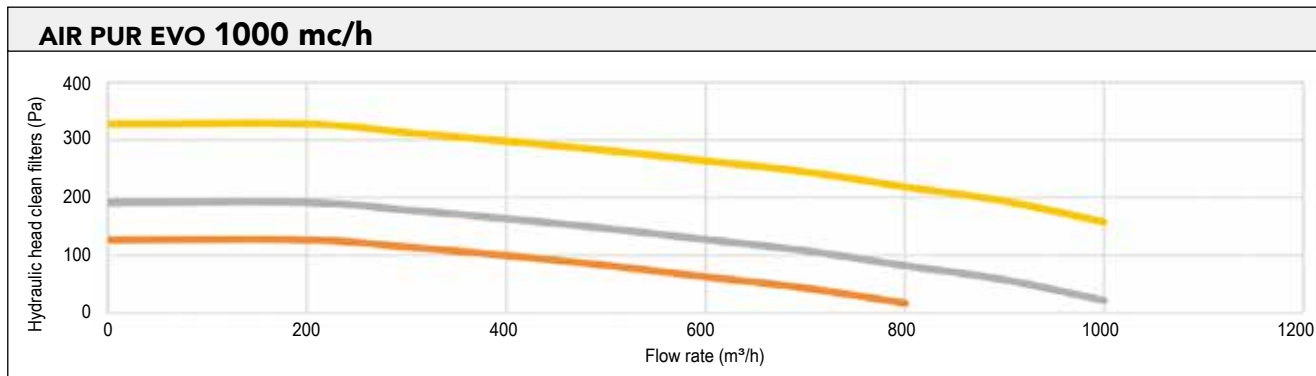
| MODEL     | AIR FLOW m <sup>3</sup> /h | PRESSURE (Pa) | EXCHANGE EFFICIENCY (%) | Noise level dB(A) | Volt           | Absorption (W) | WEIGHT (kg) |
|-----------|----------------------------|---------------|-------------------------|-------------------|----------------|----------------|-------------|
| 200E EVO  | 200                        | 510           | 75                      | 38                | 230/50 Hz      | 200            | 50          |
| 300E EVO  | 300                        | 320           | 75                      | 40                | 230/50 Hz      | 200            | 50          |
| 500E EVO  | 500                        | 330           | 75                      | 42                | 230/50 Hz      | 356            | 68          |
| 800E EVO  | 800                        | 340           | 75                      | 58                | 230/50 Hz      | 600            | 95          |
| 1000E EVO | 1000                       | 330           | 74                      | 62                | 230/50 Hz      | 600            | 129         |
| 1300E EVO | 1300                       | 320           | 74                      | 65                | 230/50 Hz      | 600            | 135         |
| 1700E EVO | 1700                       | 290           | 72                      | 65                | 230/50 Hz      | 800            | 193         |
| 2100E EVO | 2100                       | 390           | 70                      | 68                | 230/50 Hz      | 1100           | 198         |
| 2500E EVO | 2500                       | 360           | 70                      | 62                | 230/50 Hz      | 1100           | 224         |
| 3000E EVO | 3000                       | 320           | 70                      | 64                | 230/50 Hz      | 1100           | 225         |
| 4000E EVO | 4000                       | 700           | 70                      | 79                | 400 V / 3~50Hz | 3000           | 290         |

| CODE     | MODEL               | A    | A1   | B    | B1   | C    | D   | E   |
|----------|---------------------|------|------|------|------|------|-----|-----|
| 12500010 | "AIR PUR 200E EVO"  | 650  | 720  | 950  | 1147 | 1006 | 280 | 150 |
| 12500040 | "AIR PUR 300E EVO"  | 650  | 720  | 950  | 1147 | 1006 | 280 | 150 |
| 12500070 | "AIR PUR 500E EVO"  | 750  | 820  | 1100 | 1297 | 1156 | 320 | 200 |
| 12500130 | "AIR PUR 800E EVO"  | 750  | 820  | 1100 | 1223 | 1156 | 377 | 250 |
| 12500160 | "AIR PUR 1000E EVO" | 930  | 1000 | 1300 | 1423 | 1421 | 490 | 250 |
| 12500190 | "AIR PUR 1300E EVO" | 930  | 1000 | 1300 | 1423 | 1421 | 490 | 250 |
| 12500220 | "AIR PUR 1700E EVO" | 1100 | 1170 | 1500 | 1623 | 1621 | 490 | 300 |
| 12500250 | "AIR PUR 2100E EVO" | 1300 | 1370 | 1600 | 1723 | 1721 | 540 | 350 |
| 12500280 | "AIR PUR 2500E EVO" | 1300 | 1370 | 1600 | 1723 | 1721 | 540 | 350 |
| 12500310 | "AIR PUR 3000E EVO" | 1300 | 1370 | 1600 | 1723 | 1721 | 540 | 350 |
| 12500340 | "AIR PUR 4000E EVO" | 1400 | 1470 | 1670 | 1793 | 1791 | 688 | 450 |

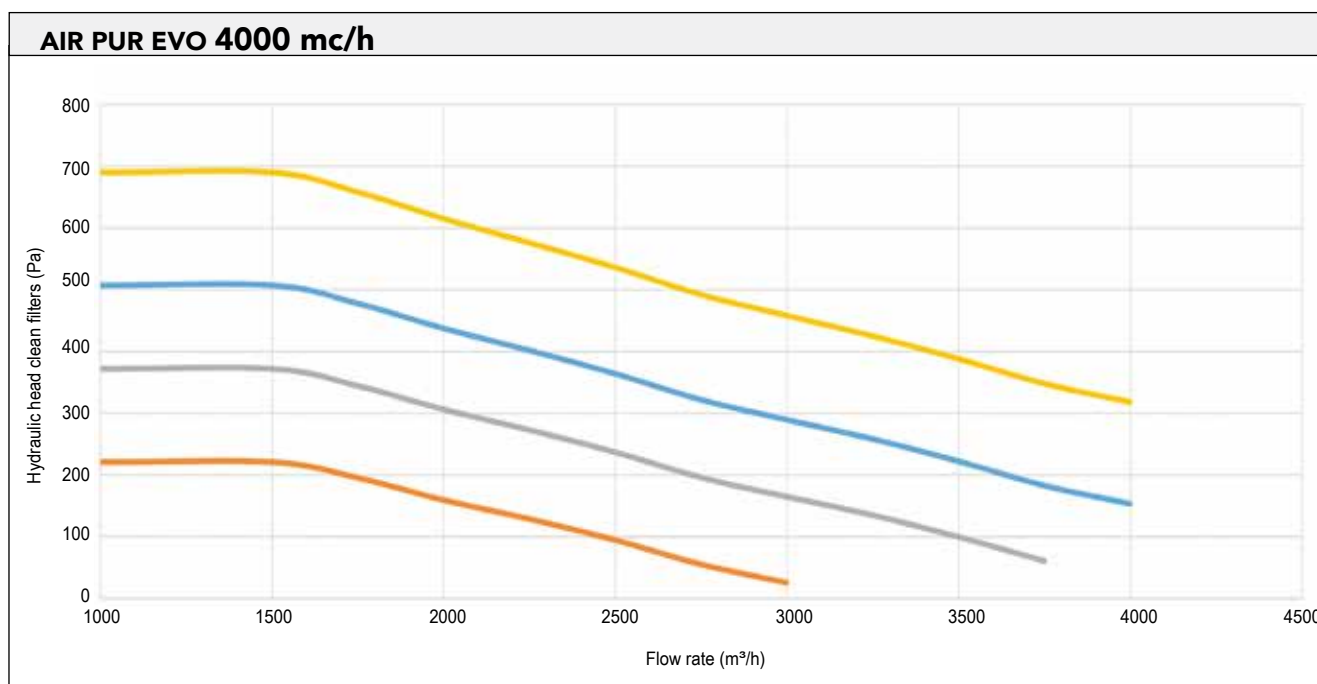
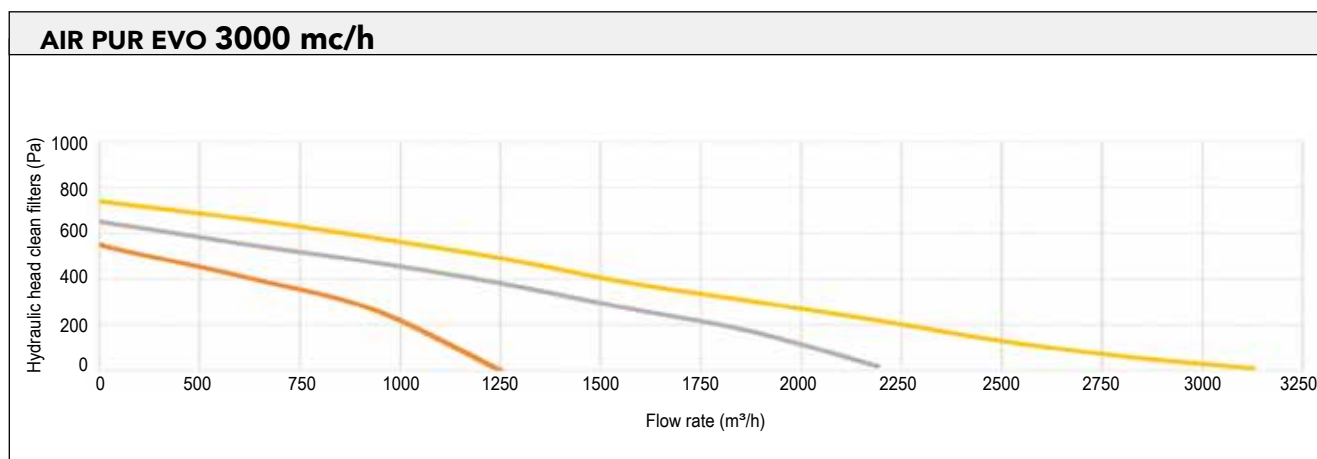
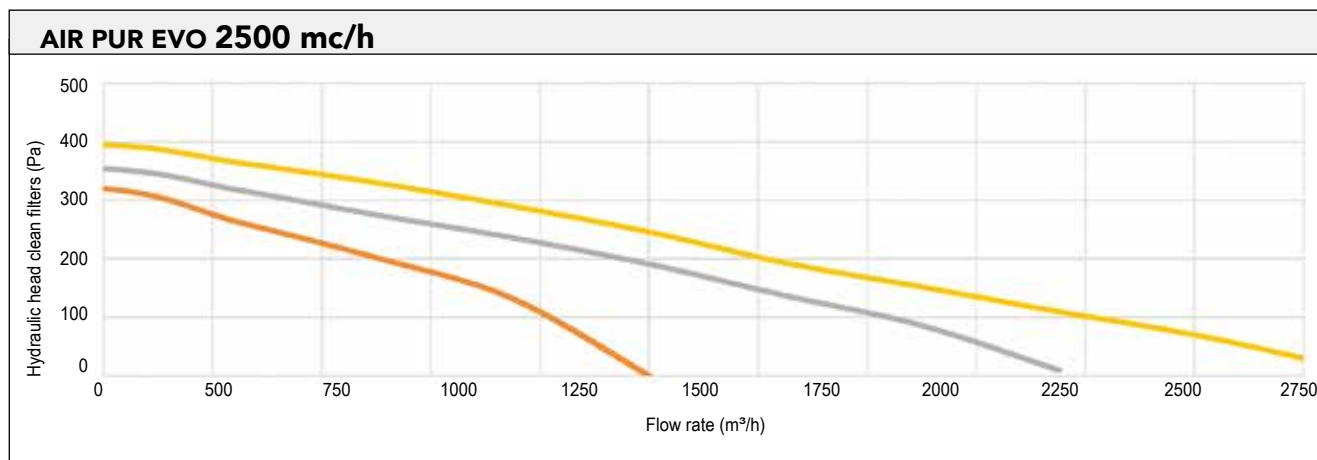
V1 V2 V3



— V1 — V2 — V3



— V1 — V2 — V3



# HIGH-EFFICIENCY CEILING-MOUNTED STATIC VERTICAL HEAT RECOVERY UNITS

## TECHNICAL FEATURES

- CLASS (SEC): B
- DECLARED TYPE: UVR BIDIRECTIONAL
- INSTALLED DRIVE TYPE: SPEED
- SHIFTER
- HEAT RECOVERY SYSTEM:
  - RECOVERY
  - HEAT RECOVERY EFFICIENCY: 85,00 %
  - MAX FLOW: 0.0850 m<sup>3</sup>/s
  - POWER CONSUMED AT MAX FLOW: 170 W/h
  - SOUND LEVEL: (LWA): 62 Lwa
  - REFERENCE FLOW RATE: 0.0590 m<sup>3</sup>/s
  - REFERENCE PRESSURE: 50 Pa
  - GRADE G7 EXTRACTABLE FILTER

ON REQUEST GRADE  
F6 - F8 FILTERS

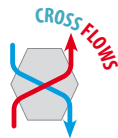
# TOTAL

## AIR

200V · 300V · 500V  
EVO PLUS

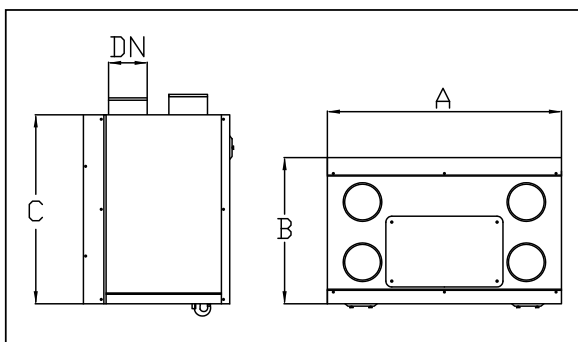


CONTROL PANEL



## AVAILABLE ON REQUEST

| FEATURES           | TOTAL AIR 200V | TOTAL AIR 300V | TOTAL AIR 500V |
|--------------------|----------------|----------------|----------------|
| VOLT (V / Hz)      | 230 - 50       | 230 - 50       | 230 - 50       |
| CONSUMED POWER (W) | 170            | 170            | 340            |
| NOISE LEVEL dB(A)  | 62             | 60             | 66             |
| FLOW RATE (mc/h)   | 304            | 373            | 470            |

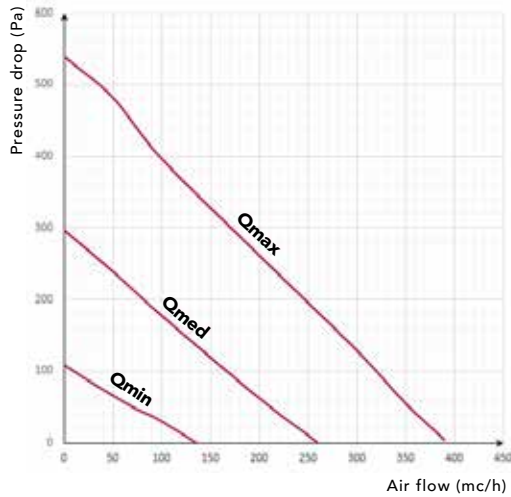


| MODEL                   | DIMENSIONS (mm) |     |     |     |
|-------------------------|-----------------|-----|-----|-----|
|                         | A               | B   | C   | DN  |
| TOTAL AIR 200V EVO PLUS | 785             | 575 | 590 | 160 |
| TOTAL AIR 300V EVO PLUS | 785             | 735 | 590 | 160 |
| TOTAL AIR 500V EVO PLUS | 785             | 735 | 590 | 160 |

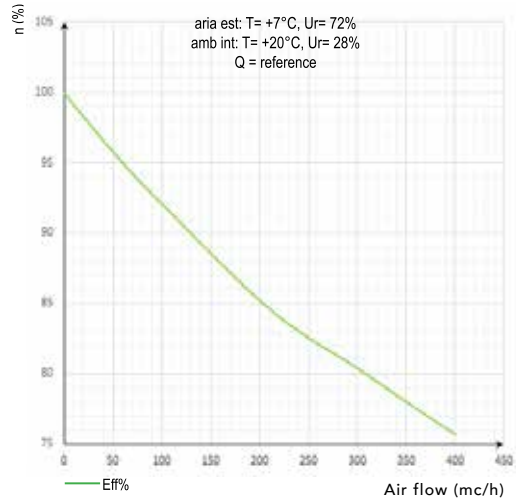


### TOTAL AIR 200 EVO PLUS

**AERUALIC PERFORMANCE (WINTER)**

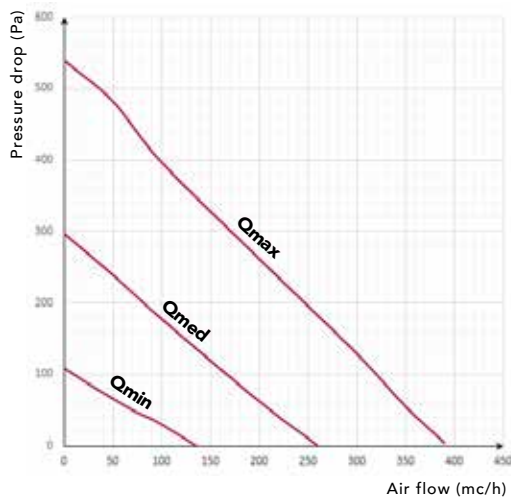


**THERMAL EFFICIENCY**

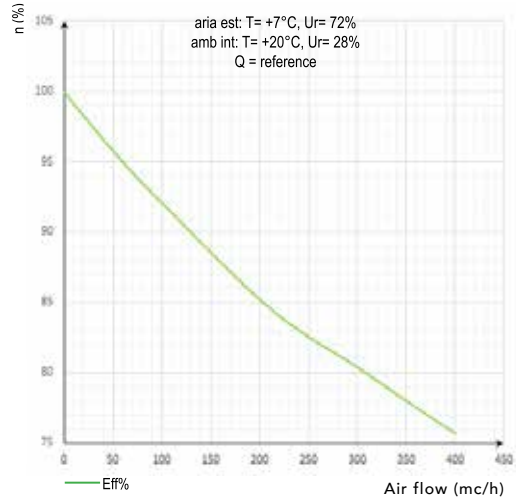


### TOTAL AIR 300 EVO PLUS

**AERUALIC PERFORMANCE (WINTER)**

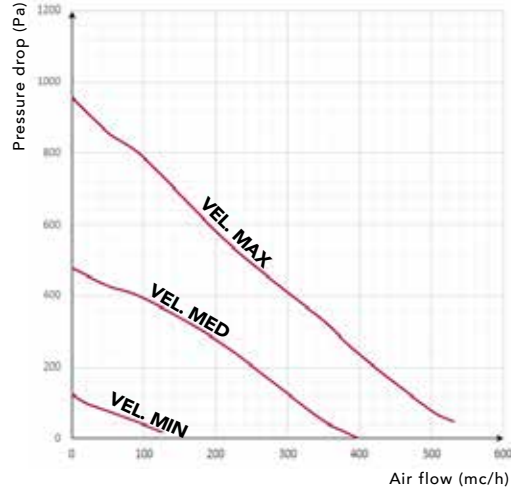


**THERMAL EFFICIENCY**

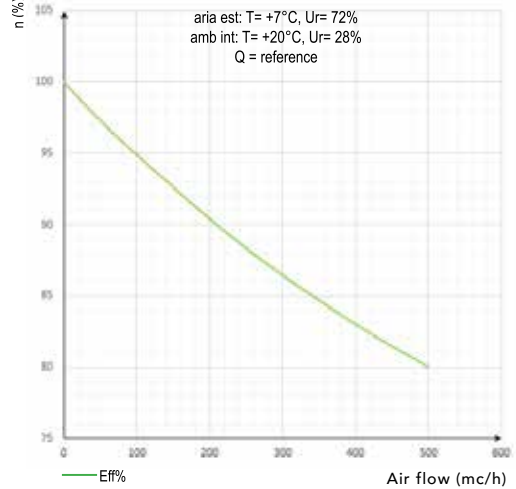


### TOTAL AIR 500 EVO PLUS

**AERUALIC PERFORMANCE (WINTER)**



**THERMAL EFFICIENCY**



| CODE     | DESCRIPTION  |
|----------|--|
| 12501000 | HEAT RECOVERY UNIT, VERTICAL TOTAL AIR 200V EVO PLUS |
| 12501010 | HEAT RECOVERY UNIT, VERTICAL TOTAL AIR 300V EVO PLUS |
| 12501020 | HEAT RECOVERY UNIT, VERTICAL TOTAL AIR 500V EVO PLUS |

# SUSPENDED-CEILING MOUNTED HEAT RECOVERY UNITS WITH BUILT-IN DEHUMIDIFIER



UNIT TO EXCHANGE INDOOR WITH FRESH OUTDOOR AIR THROUGH A HIGH-EFFICIENCY HEAT RECOVERY VENTILATOR. THE AIR FLOW IS INCREASED BY PARTIALLY RECIRCULATING INDOOR AIR, THUS ALLOWING TO DEHUMIDIFY THE AIR AND INTEGRATE THE HEATING-COOLING POWER OF THE RADIANT HVAC SYSTEM.

## DURING THE SUMMER PERIOD (COMPRESSOR ON), THE UNIT CAN WORK IN 2 MODES:

- MOD. 1). AIR RENEWAL DEHUMIDIFIER: THE UNIT CONDENSES PARTIALLY IN WATER AND PARTIALLY IN AIR THROUGH A PLATE CONDENSER, THUS YIELDING DEHUMIDIFIED AIR.
- MOD. 2: AIR RENEWAL + DEHUMIDIFIER + COOL AIR INTEGRATION: THE UNIT CONDENSED TOTALLY IN WATER, THUS YIELDING DEHUMIDIFIED AND COOLED AIR.

## DURING THE WINTER PERIOD (COMPRESSOR OFF):

- THE HYDRONIC BATTERY IS SUPPLIED WITH HOT WATER FROM THE HEATING SYSTEM AND FUNCTIONS AS A HEAT FAN.



WITH CONTROL PANEL

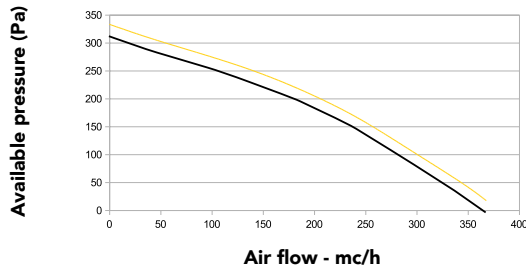


## AVAILABLE ON REQUEST

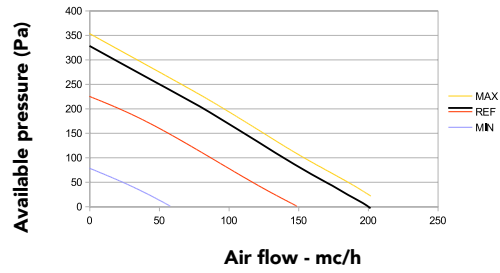
| DESCRIPTION   | UNIT OF MEASURE   | MODEL 300 / 150                 | MODEL 500 / 250                 |
|---|-------------------|---------------------------------|---------------------------------|
| <b>FUNCTION: HEAT RECOVERY VENTILATOR ONLY</b>  | m <sup>3</sup> /h | 150 m <sup>3</sup> /h           | 250 m <sup>3</sup> /h           |
| <b>FUNCTION: HEAT RECOVERY VENTILATOR + DEHUMIDIFIER + AIR COOLER</b>   | m <sup>3</sup> /h | 300 m <sup>3</sup> /h           | 500 m <sup>3</sup> /h           |
| <b>UNIT CEILING-MOUNT INTERNAL DIMENSIONS</b>   | L x P x H (mm)    | 820 x 1220 x 255                | 960 x 1220 x 330                |
| <b>COLLAR COUPLING DIMENSIONS (CIRCULAR): INTERNAL AIR INTAKE, EXTERNAL AIR EXPULSION INTERNAL AIR RECOVERY</b> | mm                | 3 x 125                         | 3 x 160                         |
| <b>COLLAR COUPLING DIMENSIONS (CIRCULAR): INTERNAL AMBIENT AIR RECIRCULATION</b>                                | mm                | 1 x 160                         | 1 x 200                         |
| <b>COUPLING DIMENSIONS (RECTANGULAR) INTERNAL AMBIENT AIR DELIVERY OUTLET</b>                                   | B. x H. (mm)      | 350 x 180                       | 490 x 255                       |
| <b>WEIGHT</b>   | Kg.               | 72                              | 91                              |
| <b>SUPPLY VOLTAGE</b>   | V/Hz              | 1 - 230/50                      | 1 - 230/50                      |
| <b>PROTECTION GRADE</b>   | IP                | IP44                            | IP44                            |
| <b>CURRENT</b>  | A                 | 3.8                             | 6.1                             |
| <b>ACOUSTIC DATA: AVERAGE SOUND PRESSURE AD 1 m DISTANCE</b>  | dB(A)             | 48,4                            | 52,7                            |
| <b>ACOUSTIC DATA: AVERAGE SOUND PRESSURE AD 3 m DISTANCE</b>  | dB(A)             | 40,7                            | 45                              |
| <b>REFRIGERANT GAS</b>  | -                 | R 134a                          | R 134a                          |
| <b>FILTERS (WASHABLE)</b>   | -                 | <b>F7 (G2 ON RECIRCULATION)</b> | <b>F7 (G2 ON RECIRCULATION)</b> |

**MODEL 300 - 150**

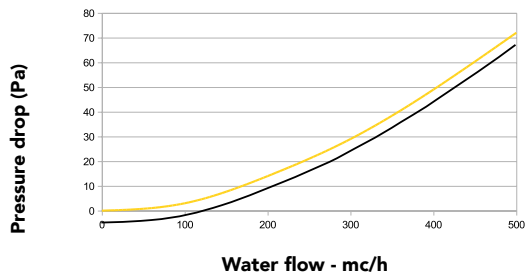
**AERAILIC PERFORMANCES  
INTEGRATION / DEHUMIDIFICATION**



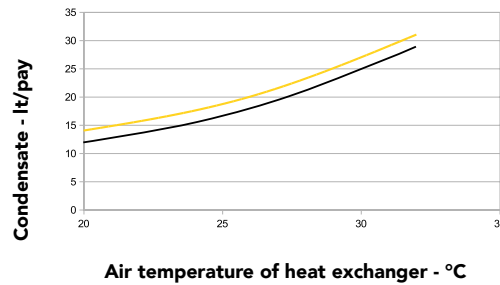
**VENTILATION AERAILIC  
PERFORMANCES**



**PRESSURE DROP HYDRONIC  
PERFORMANCE OF THE HEAT EXCHANGER**

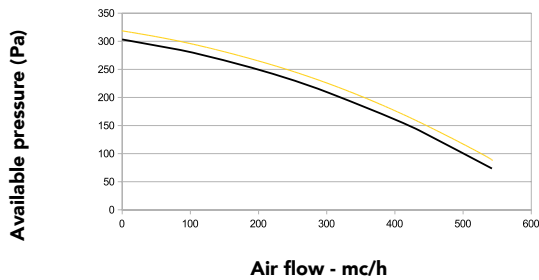


**DEHUMIDIFICATION CAPACITY**

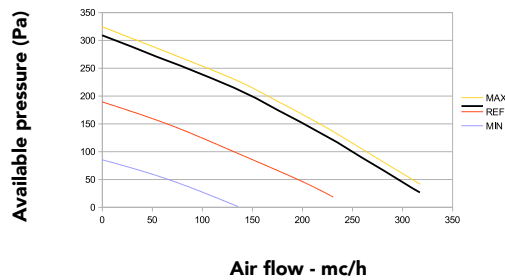


**MODEL 500 - 250**

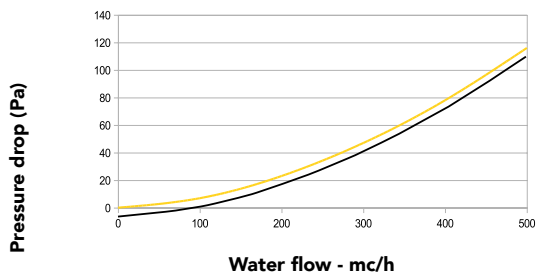
**AERAILIC PERFORMANCES  
INTEGRATION / DEHUMIDIFICATION**



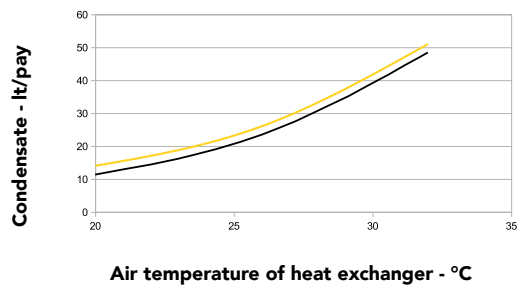
**VENTILATION AERAILIC  
PERFORMANCES**



**PRESSURE DROP HYDRONIC  
PERFORMANCE OF THE HEAT EXCHANGER**



**DEHUMIDIFICATION CAPACITY**



| CODE     | DESCRIPTION   |
|----------|---|
| 30200020 | SUSPENDED-CEILING MOUNTED HEAT RECOVERY UNIT WITH BUILT-IN DEHUMIDIFIER 300 / 150 |
| 30200030 | SUSPENDED-CEILING MOUNTED HEAT RECOVERY UNIT WITH BUILT-IN DEHUMIDIFIER 500 / 250 |



# ENTHALPIC HEAT RECOVERY UNITS

RANGE FROM 200 TO 1300 m<sup>3</sup>/h



REMOVABLE HIGH PERFORMANCE HEAT EXCHANGER



EXTERNAL INSULATION



FASTENING BRACKETS



FILLING MATERIAL INSPECTION HATCH

# Hi-Tech **PUR**



**ELECTRONIC BYPASS**



**PROVIDED WITH RINGS FOR DUCTED PIPE CONNECTIONS**



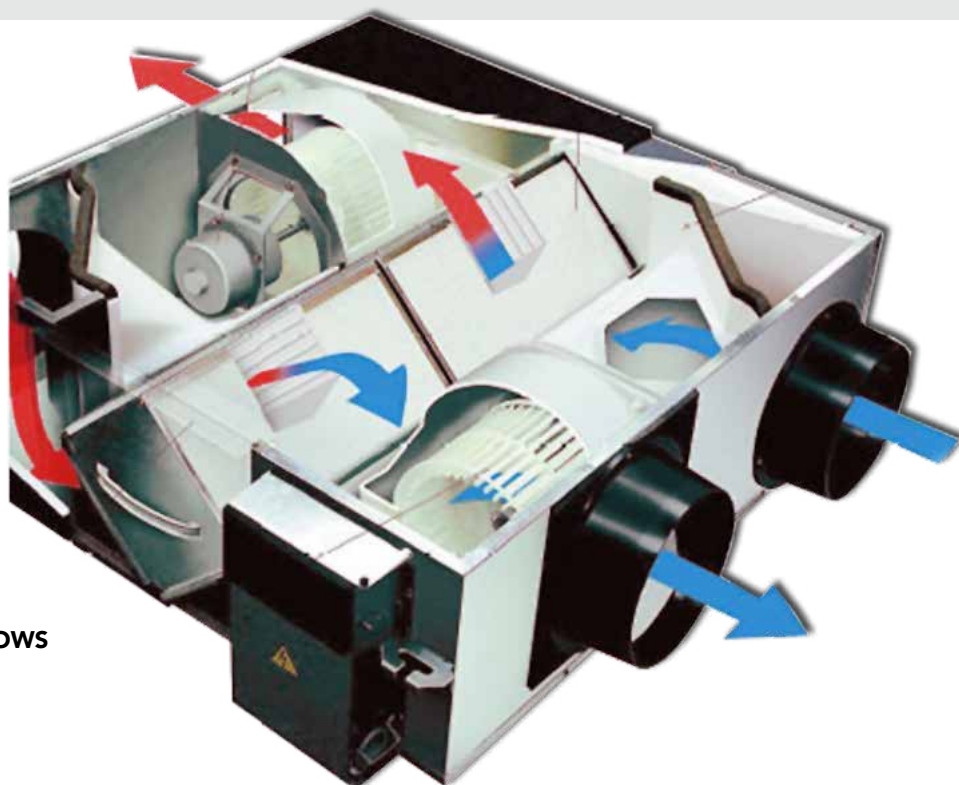
**MOTORS WITH POLYSTYRENE INSULATION**



**WIRED ELECTRONIC CONTROLLER**

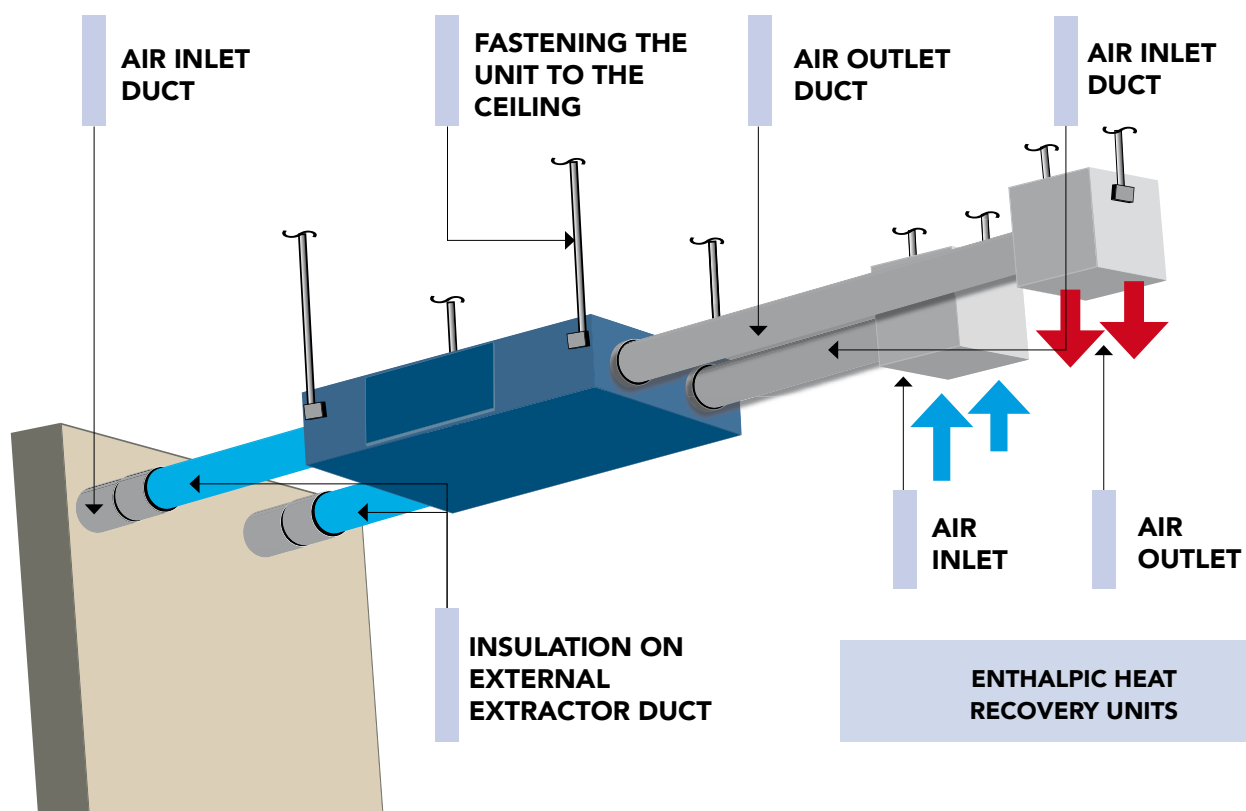
# TECHNICAL DIAGRAMS FOR ENTHALPIC HEAT RECOVERY UNITS

## Hi-Tech Pur



DETAIL OF AIR FLOWS  
INSIDE THE UNIT

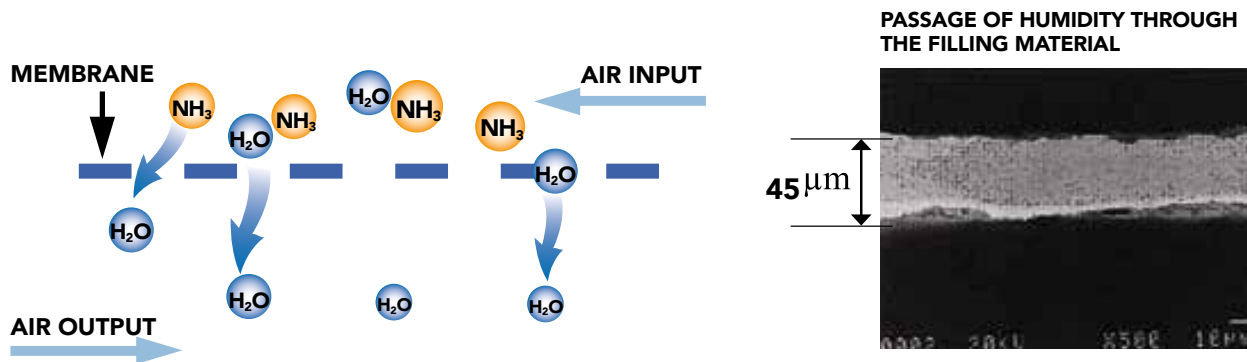
### INSTALLATION DRAWING OF A HEAT RECOVERY UNIT



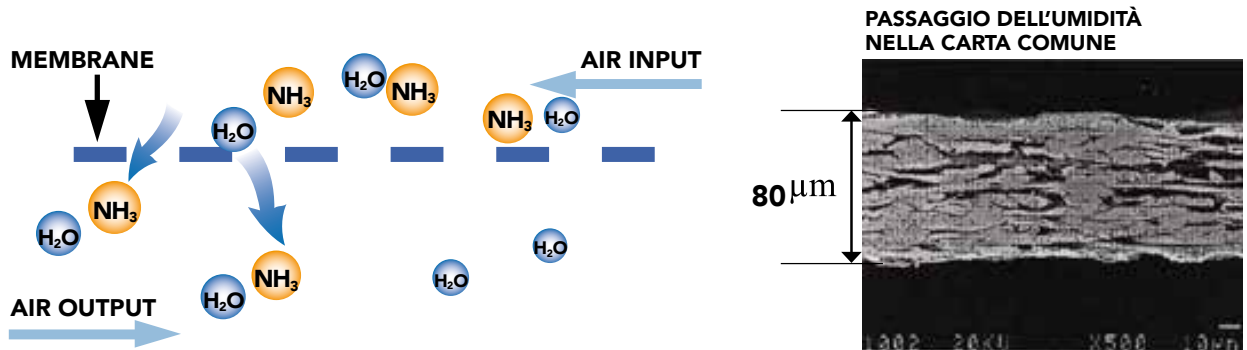


# DIAGRAM OF FLOW OF HUMIDITY INSIDE THE HEAT EXCHANGER

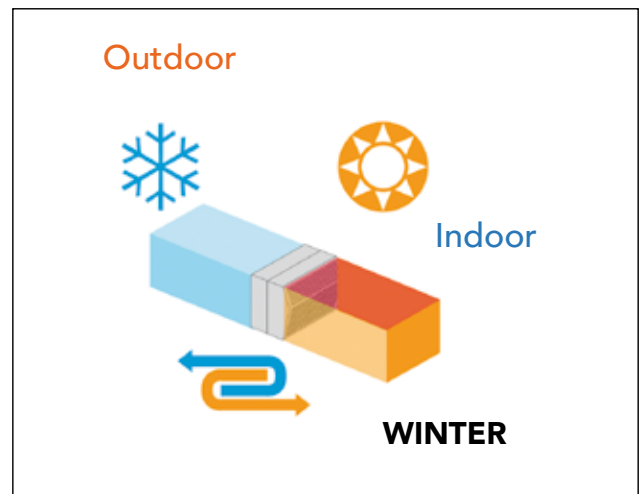
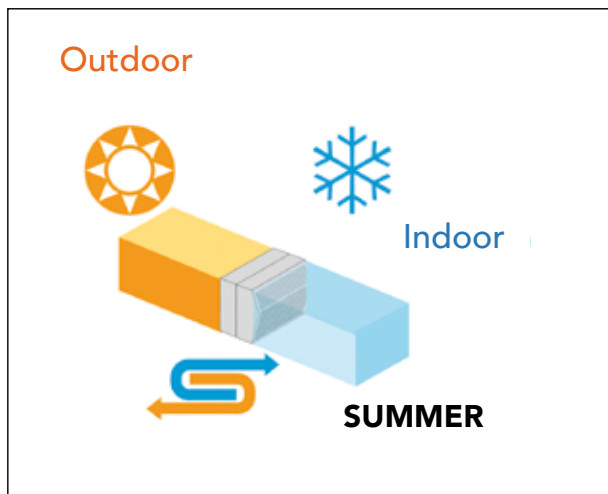
HEAT EXCHANGER FEATURING HIGH PERFORMANCE MATERIALS BY TECNOSYSTEMI S.p.A.



HEAT EXCHANGER FEATURING STANDARD MATERIALS



## CONDITIONS OF USE OF THE HEAT RECOVERY ACCORDING TO SEASONS

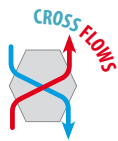


# CEILING-MOUNTED DUCTED ENTHALPIC HEAT RECOVERY UNITS

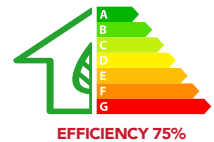
## TECHNICAL FEATURES

- HIGH-EFFICIENCY PULL-OUT EXCHANGE PLATES
- FASTENING BRACKETS
- FILLING MATERIAL INSPECTION HATCH
- GRADE G3 EXTRACTABLE FILTER
- EXTERNAL INSULATION
- ELECTRONIC BYPASS
- MOTOR WITH POLYSTYRENE INSULATION

# Hi-Tech PUR



REMOTE CONTROL DEVICE INCLUDED

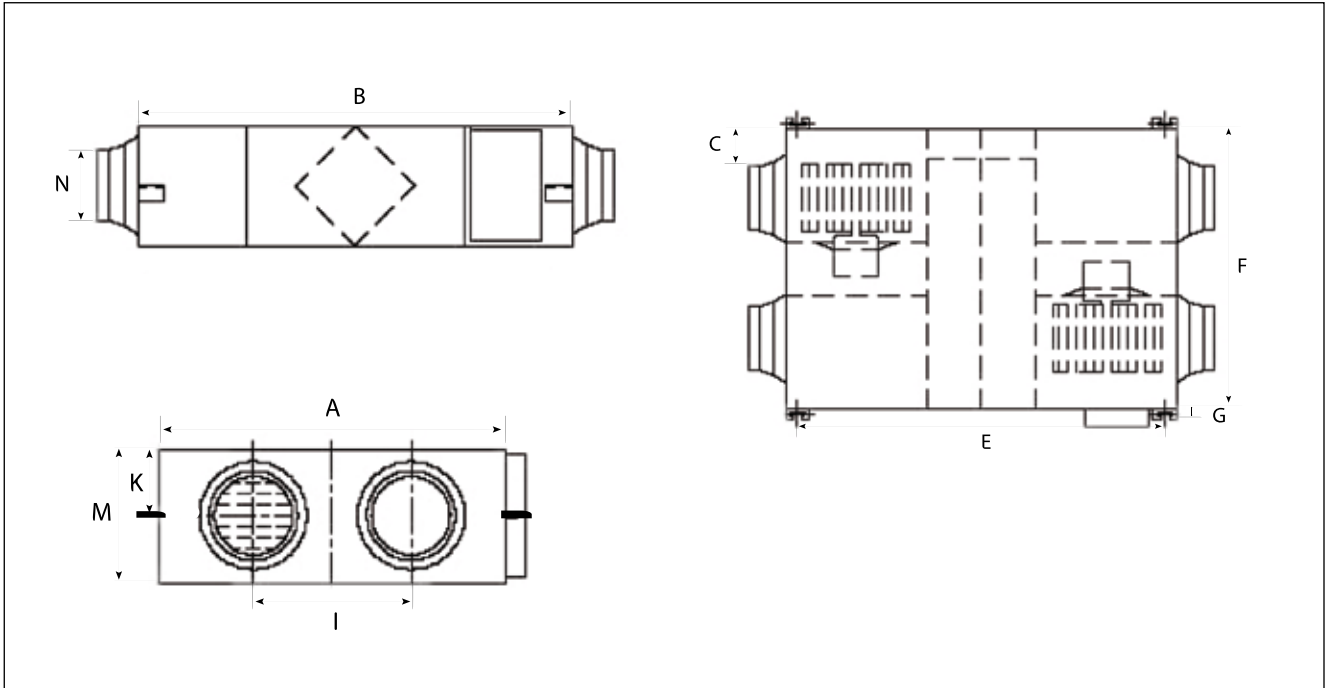


| MOD. | AIR DELIVERY m <sup>3</sup> /h |         |         | PRESSURE (Pa) |         |         | ENTHALPIC EFFICIENCY (%) |         |         |         |         |         | Temperature efficiency (%) |         |         | Sound level dB(A) |         |         | Volt | Corr. (A) | Absorbed. (W) | WEIGHT |
|------|--------------------------------|---------|---------|---------------|---------|---------|--------------------------|---------|---------|---------|---------|---------|----------------------------|---------|---------|-------------------|---------|---------|------|-----------|---------------|--------|
|      |                                |         |         |               |         |         | Summer                   |         |         | Winter  |         |         |                            |         |         |                   |         |         |      |           |               |        |
|      | 1 SPEED                        | 2 SPEED | 3 SPEED | 1 SPEED       | 2 SPEED | 3 SPEED | 1 SPEED                  | 2 SPEED | 3 SPEED | 1 SPEED | 2 SPEED | 3 SPEED | 1 SPEED                    | 2 SPEED | 3 SPEED | 1 SPEED           | 2 SPEED | 3 SPEED |      |           |               |        |
| 200  | 150                            | 200     | 200     | 60            | 70      | 75      | 60                       | 55      | 55      | 63      | 59      | 59      | 75                         | 70      | 70      | 22                | 25      | 27      | 220  | 0,56      | 105           | 23 kg  |
| 300  | 250                            | 300     | 300     | 75            | 82      | 85      | 62                       | 57      | 57      | 65      | 61      | 61      | 73                         | 68      | 68      | 23                | 27      | 30      | 220  | 0,56      | 117           | 25 kg  |
| 400  | 350                            | 400     | 400     | 80            | 85      | 88      | 62                       | 57      | 57      | 65      | 60      | 60      | 74                         | 69      | 69      | 25                | 29      | 32      | 220  | 0,72      | 150           | 31 kg  |
| 600  | 500                            | 600     | 600     | 89            | 92      | 97      | 63                       | 59      | 59      | 67      | 61      | 61      | 76                         | 70      | 70      | 25                | 31      | 35      | 220  | 0,96      | 200           | 36 kg  |
| 800  | 700                            | 800     | 800     | 92            | 96      | 100     | 57                       | 55      | 55      | 63      | 57      | 57      | 74                         | 68      | 68      | 32                | 37      | 39      | 220  | 1,7       | 355           | 60 kg  |
| 1000 | 800                            | 1000    | 1000    | 80            | 85      | 86      | 60                       | 58      | 58      | 64      | 62      | 62      | 76                         | 70      | 70      | 32                | 36      | 40      | 220  | 2,1       | 440           | 70 kg  |
| 1300 | 1000                           | 1300    | 1300    | 75            | 85      | 90      | 58                       | 56      | 56      | 62      | 59      | 59      | 76                         | 70      | 70      | 37                | 40      | 42      | 220  | 3,4       | 710           | 79 kg  |

| CODE     | DESCRIPTION  |
|----------|--|
| 12300011 | "HI-TECH PUR" 200 m <sup>3</sup> /h - CEILING-MOUNTED DUCTED ENTHALPIC HEAT RECOVERY UNIT  |
| 12300012 | "HI-TECH PUR" 300 m <sup>3</sup> /h - CEILING-MOUNTED DUCTED ENTHALPIC HEAT RECOVERY UNIT  |
| 12300013 | "HI-TECH PUR" 400 m <sup>3</sup> /h - CEILING-MOUNTED DUCTED ENTHALPIC HEAT RECOVERY UNIT  |
| 12300014 | "HI-TECH PUR" 600 m <sup>3</sup> /h - CEILING-MOUNTED DUCTED ENTHALPIC HEAT RECOVERY UNIT  |
| 12300015 | "HI-TECH PUR" 800 m <sup>3</sup> /h - CEILING-MOUNTED DUCTED ENTHALPIC HEAT RECOVERY UNIT  |
| 12300016 | "HI-TECH PUR" 1000 m <sup>3</sup> /h - CEILING-MOUNTED DUCTED ENTHALPIC HEAT RECOVERY UNIT |
| 12300017 | "HI-TECH PUR" 1300 m <sup>3</sup> /h - CEILING-MOUNTED DUCTED ENTHALPIC HEAT RECOVERY UNIT |

# CEILING-MOUNTED DUCTED ENTHALPIC HEAT RECOVERY UNITS

# Hi-Tech PUR



| MODEL              | DIMENSIONS (mm) |      |     |      |      |    |     |     |     |       |
|--------------------|-----------------|------|-----|------|------|----|-----|-----|-----|-------|
|                    | A               | B    | C   | E    | F    | G  | I   | K   | M   | N     |
| "HI-TECH PUR" 200  | 599             | 744  | 100 | 675  | 657  | 19 | 315 | 111 | 270 | Ø 144 |
| "HI-TECH PUR" 300  | 599             | 744  | 100 | 675  | 657  | 19 | 315 | 111 | 270 | Ø 144 |
| "HI-TECH PUR" 400  | 904             | 824  | 107 | 754  | 960  | 19 | 500 | 111 | 270 | Ø 194 |
| "HI-TECH PUR" 600  | 904             | 824  | 107 | 754  | 960  | 19 | 500 | 111 | 270 | Ø 194 |
| "HI-TECH PUR" 800  | 884             | 1116 | 85  | 1045 | 940  | 19 | 428 | 170 | 388 | Ø 242 |
| "HI-TECH PUR" 1000 | 1134            | 1116 | 85  | 1045 | 1190 | 19 | 678 | 170 | 388 | Ø 242 |
| "HI-TECH PUR" 1300 | 1134            | 1116 | 85  | 1045 | 1190 | 19 | 678 | 170 | 388 | Ø 242 |

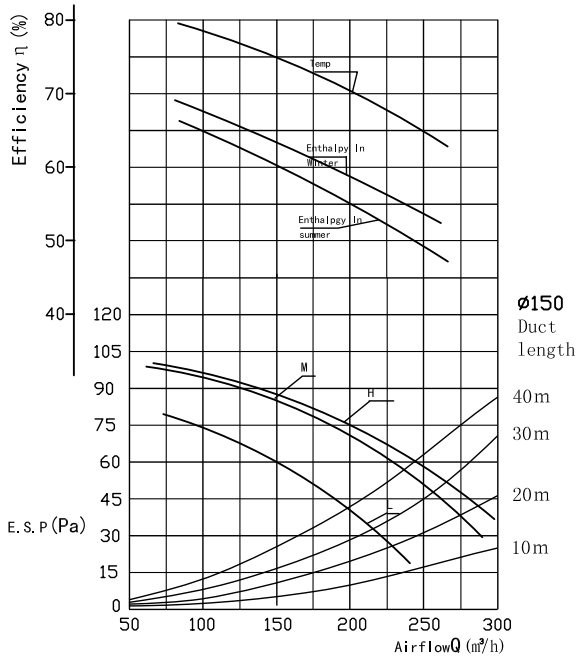
GRAPHS OF DELIVERY AND PERFORMANCE AT PAG. 80-81

# GRAPHS OF DELIVERY AND PERFORMANCE OF ENTHALPIC HEAT RECOVERY UNITS



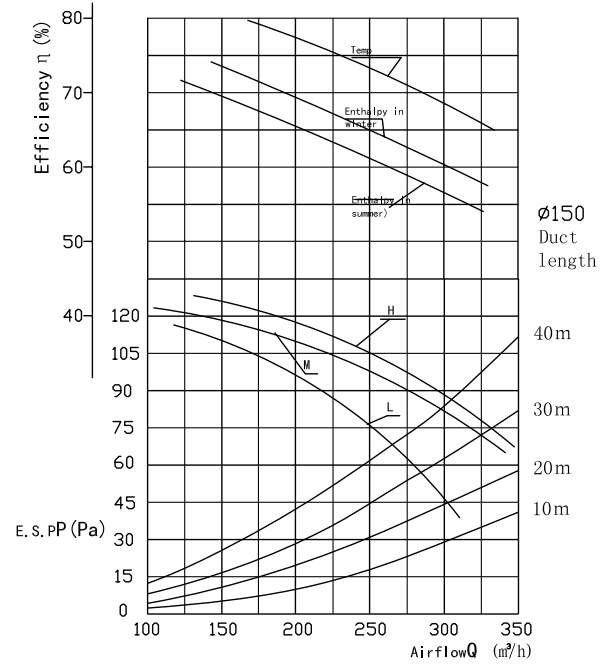
## Hi-Tech Pur 200

| CODE     | DESCRIPTION   |
|----------|---|
| 12300011 | CEILING-MOUNTED DUCTED ENTHALPIC HEAT RECOVERY UNIT 200 m <sup>3</sup> /h |



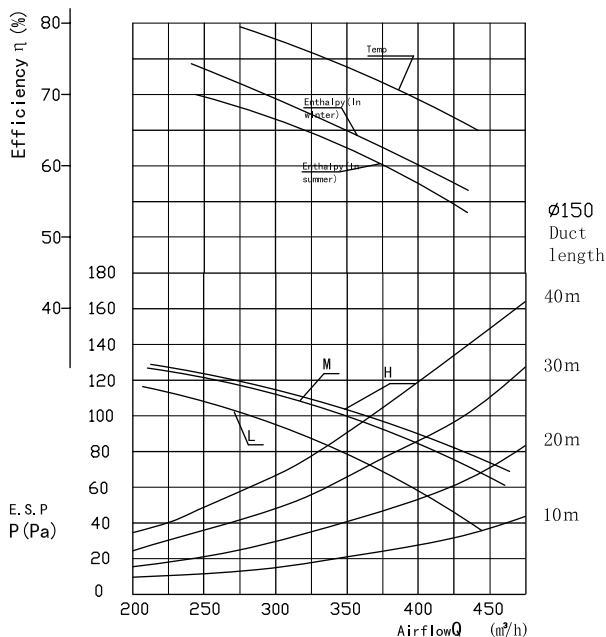
## Hi-Tech Pur 300

| CODE     | DESCRIPTION   |
|----------|---|
| 12300012 | CEILING-MOUNTED DUCTED ENTHALPIC HEAT RECOVERY UNIT 300 m <sup>3</sup> /h |



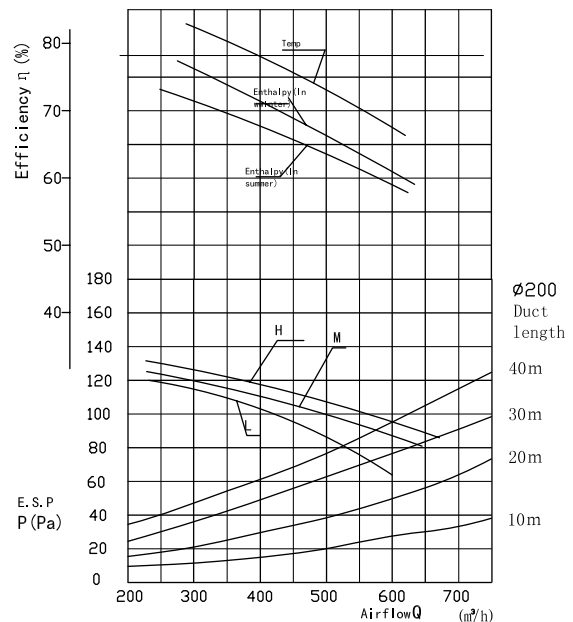
## Hi-Tech Pur 400

| CODE     | DESCRIPTION   |
|----------|---|
| 12300013 | CEILING-MOUNTED DUCTED ENTHALPIC HEAT RECOVERY UNIT 400 m <sup>3</sup> /h |



## Hi-Tech Pur 600

| CODE     | DESCRIPTION   |
|----------|---|
| 12300014 | CEILING-MOUNTED DUCTED ENTHALPIC HEAT RECOVERY UNIT 600 m <sup>3</sup> /h |

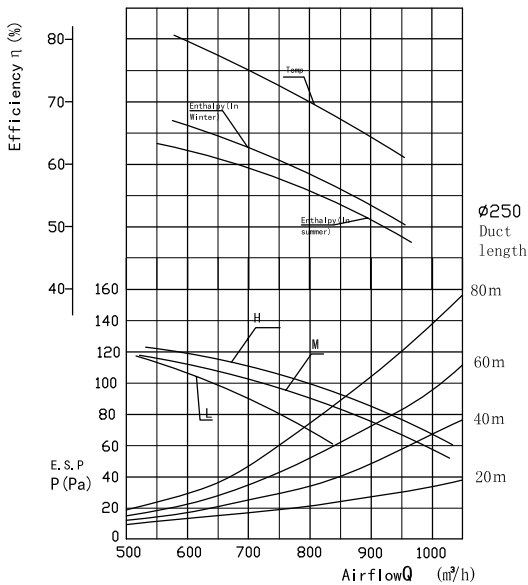


# GRAPHS OF DELIVERY AND PERFORMANCE OF ENTHALPIC HEAT RECOVERY UNITS

# Hi-Tech Pur

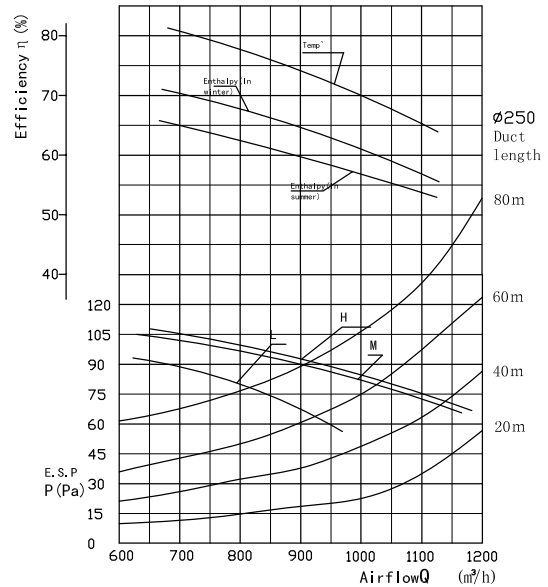
## Hi-Tech Pur 800

| CODE     | DESCRIPTION   |
|----------|---|
| 12300015 | CEILING-MOUNTED DUCTED ENTHALPIC HEAT RECOVERY UNIT 800 m <sup>3</sup> /h |



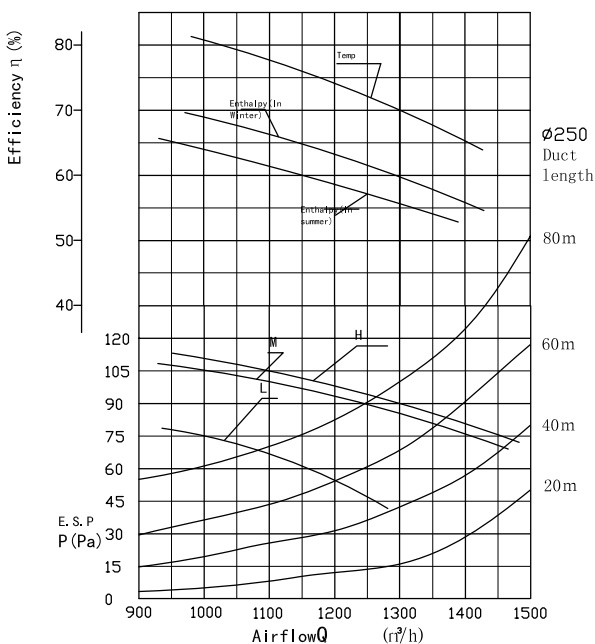
## Hi-Tech Pur 1000

| CODE     | DESCRIPTION  |
|----------|--|
| 12300016 | CEILING-MOUNTED DUCTED ENTHALPIC HEAT RECOVERY UNIT 1000 m <sup>3</sup> /h |



## Hi-Tech Pur 1300

| CODE     | DESCRIPTION  |
|----------|--|
| 12300017 | CEILING-MOUNTED DUCTED ENTHALPIC HEAT RECOVERY UNIT 1300 m <sup>3</sup> /h |



## DUCTED ENTHALPIC HEAT RECOVERY UNITS

# Hi-Tech Pur



**YOUR COMFORT ...**

## CO2 AND VOC PROBE FOR "TOTAL AIR" HEAT RECOVERY UNIT

THE PROBES CAN BE FITTED TO ALL THE EVO PLUS HEAT RECOVERY UNITS: WHEN ORDERING, SPECIFY THE CODE FOR THE REQUIRED PROBE.

HEAT RECOVERY UNITS USE EITHER A CO2 OR A VOC PROBE, MACHINES CANNOT TAKE BOTH.



| CODE      | DESCRIPTION                                  |
|-----------|--|
| ACD600027 | CO2 PROBE FOR "TOTAL AIR" HEAT RECOVERY UNIT |
| ACD600028 | VOC PROBE FOR "TOTAL AIR" HEAT RECOVERY UNIT |

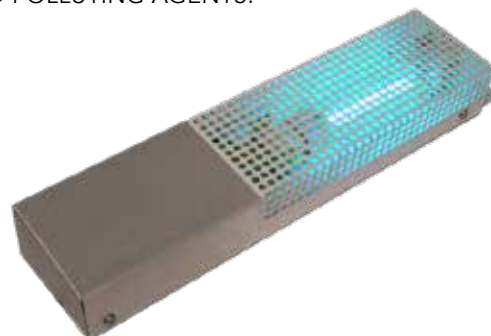
## BACTERICIDE SANITIZING SYSTEM FOR HEAT RECOVERY UNITS

### TECHNICAL FEATURES

- ALUMINUM
- POWER SUPPLY VOLTAGE: 12 VOLT, 230 V WITH POWER SUPPLY
- power consumption: 9,6 W
- DIMENSIONS: L 260 mm x H 30 mm x P 50 mm
- WEIGHT: 0,3 Kg

THE BACTERICIDAL HYGIENIZING SYSTEM HAS BEEN DESIGNED TO ELIMINATE ODORS, ATMOSPHERIC POLLUTANTS, VOCs (CHEMICAL ODORS), FUMES, BACTERIA AND VIRUSES.

THE PRINCIPLE OF OPERATION OF THE BACTERICIDAL HYGIENIZING SYSTEM CONSISTS IN ACTIVATING AN OXIDATION PROCESS THAT HELPS ELIMINATE BACTERIA AND POLLUTING AGENTS.



AVAILABLE ON REQUEST WHEN THE HEAT RECOVERY VENTILATOR IS ORDERED

| CODE     | DESCRIPTION  |
|----------|--|
| 12502001 | BACTERICIDE SANITIZING SYSTEM FOR HEAT RECOVERY UNITS UP TO 1500 mc/h        |
| 12502002 | BACTERICIDE SANITIZING SYSTEM FOR HEAT RECOVERY UNITS FROM 1700 TO 3000 mc/h |
| 12502003 | BACTERICIDE SANITIZING SYSTEM FOR HEAT RECOVERY UNITS FROM 4000 mc/h         |

## SINGLE-PHASE 220V SPEED CONTROL

THE ELECTRONIC SPEED CONTROLS ALLOWS TO VARY THE AIR FLOW OF THE HEAT RECOVERY UNITS AND OF THE AIR CURTAINS FROM 30% TO 100% OR ITS PERFORMANCES



ATTENTION. FOR HEAT RECOVERY MANUFACTURED UNTIL MARCH 2017

| CODE     | DESCRIPTION   |
|----------|---|
| 12300100 | SINGLE-PHASE 220V SPEED CONTROL FOR MODEL 150 - 200 - 300 - 400 |
| 12300105 | SINGLE-PHASE 220V SPEED CONTROL FOR MODEL 600                   |
| 12300110 | SINGLE-PHASE 220V SPEED CONTROL FOR MODEL 800 - 1000            |
| 12300115 | SINGLE-PHASE 220V SPEED CONTROL FOR MODEL 1300 - 1700           |
| 12300120 | SINGLE-PHASE 220V SPEED CONTROL FOR MODEL 2100 - 2500 - 3000    |

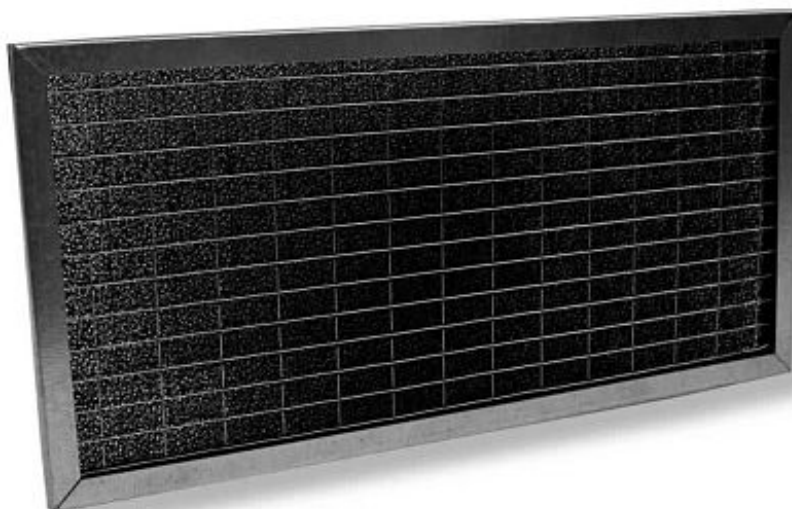


# REPLACEMENT "GRADE G2" POLYURETHANE FILTER FOR STATIC HEAT RECOVERY UNITS

## TECHNICAL FEATURES

- EN779:2012 G2 CLASSIFICATION
- POLYURETHANE FILTER ELEMENT
- FILTER ELEMENT THICKNESS 10 mm

FILTRATION  
CLASS G2



**N.B. FOR HEAT RECOVERY UNITS MANUFACTURED UNTIL 2016**

| REPLACEMENT "GRADE G2" POLYURETHANE FILTER FOR HEAT RECOVERY VENTILATORS "AIR PUR" MOD. 2012-2016 |   |                  |                 |
|---|---|------------------|-----------------|
| CODE  | DESCRIPTION   | FILTRATION GRADE | DIMENSIONS (mm) |
| C20002074   | FILTER FOR STATIC HEAT RECOVERY UNIT AIR PUR 200 m <sup>3</sup> /h COD. 12300022  | G2               | 196 X 249 X 10  |
| C20002030   | FILTER FOR STATIC HEAT RECOVERY UNIT AIR PUR 200 m <sup>3</sup> /h COD. 12300022V | G2               | 280 X 249 X 10  |
| C20002074   | FILTER FOR STATIC HEAT RECOVERY UNIT AIR PUR 300 m <sup>3</sup> /h COD. 12300023  | G2               | 196 X 249 X 10  |
| C20002030   | FILTER FOR STATIC HEAT RECOVERY UNIT AIR PUR 300 m <sup>3</sup> /h COD. 12300023V | G2               | 280 X 249 X 10  |
| C20002030   | FILTER FOR STATIC HEAT RECOVERY UNIT AIR PUR 400 m <sup>3</sup> /h COD. 12300024  | G2               | 280 X 249 X 10  |
| C20002030   | FILTER FOR STATIC HEAT RECOVERY UNIT AIR PUR 400 m <sup>3</sup> /h COD. 12300025V | G2               | 280 X 249 X 10  |
| C20002030   | FILTER FOR STATIC HEAT RECOVERY UNIT AIR PUR 600 m <sup>3</sup> /h COD. 12300026  | G2               | 280 X 249 X 10  |
| C20002030   | FILTER FOR STATIC HEAT RECOVERY UNIT AIR PUR 600 m <sup>3</sup> /h COD. 12300026V | G2               | 280 X 249 X 10  |
| C20002140   | FILTER FOR STATIC HEAT RECOVERY UNIT AIR PUR 1000 m <sup>3</sup> /h COD. 12300028 | G2               | 335 X 406 X 10  |
| C20002140   | FILTER FOR STATIC HEAT RECOVERY UNIT AIR PUR 1300 m <sup>3</sup> /h COD. 12300029 | G2               | 335 X 406 X 10  |
| C20002058   | FILTER FOR STATIC HEAT RECOVERY UNIT AIR PUR 1600 m <sup>3</sup> /h COD. 12300090 | G2               | 415 X 425 X 10  |
| C20002058   | FILTER FOR STATIC HEAT RECOVERY UNIT AIR PUR 2100 m <sup>3</sup> /h COD. 12300095 | G2               | 415 X 425 X 10  |
| C20002004   | FILTER FOR STATIC HEAT RECOVERY UNIT AIR PUR 2500 m <sup>3</sup> /h COD. 12300097 | G2               | 415 X 450 X 10  |
| C20002004   | FILTER FOR STATIC HEAT RECOVERY UNIT AIR PUR 3000 m <sup>3</sup> /h COD. 12300099 | G2               | 415 X 450 X 10  |
| C20002004   | FILTER FOR STATIC HEAT RECOVERY UNIT AIR PUR 4000 m <sup>3</sup> /h COD. 12300101 | G2               | 415 X 450 X 10  |

| REPLACEMENT "GRADE G2" POLYURETHANE FILTER FOR HEAT RECOVERY VENTILATORS "TOTAL AIR PUR" MOD. 2012-2016 |   |                  |                 |
|---|---|------------------|-----------------|
| CODE  | DESCRIPTION   | FILTRATION GRADE | DIMENSIONS (mm) |
| C20002074   | FILTER FOR STATIC HEAT RECOVERY UNIT TOTAL AIR 200P" - 200 m <sup>3</sup> /h COD. 12300130  | G2               | 196 X 249 X 10  |
| C20002074   | FILTER FOR STATIC HEAT RECOVERY UNIT TOTAL AIR 200Y" - 200 m <sup>3</sup> /h COD. 12300132  | G2               | 196 X 249 X 10  |
| C20002030   | FILTER FOR STATIC HEAT RECOVERY UNIT TOTAL AIR 200V" - 200 m <sup>3</sup> /h COD. 12300130V | G2               | 280 X 249 X 10  |
| C20002074   | FILTER FOR STATIC HEAT RECOVERY UNIT TOTAL AIR 300P" - 300 m <sup>3</sup> /h COD. 12300131  | G2               | 196 X 249 X 10  |
| C20002074   | FILTER FOR STATIC HEAT RECOVERY UNIT TOTAL AIR 300Y" - 300 m <sup>3</sup> /h COD. 12300133  | G2               | 196 X 249 X 10  |
| C20002030   | FILTER FOR STATIC HEAT RECOVERY UNIT TOTAL AIR 300V" - 300 m <sup>3</sup> /h COD. 12300131V | G2               | 280 X 249 X 10  |

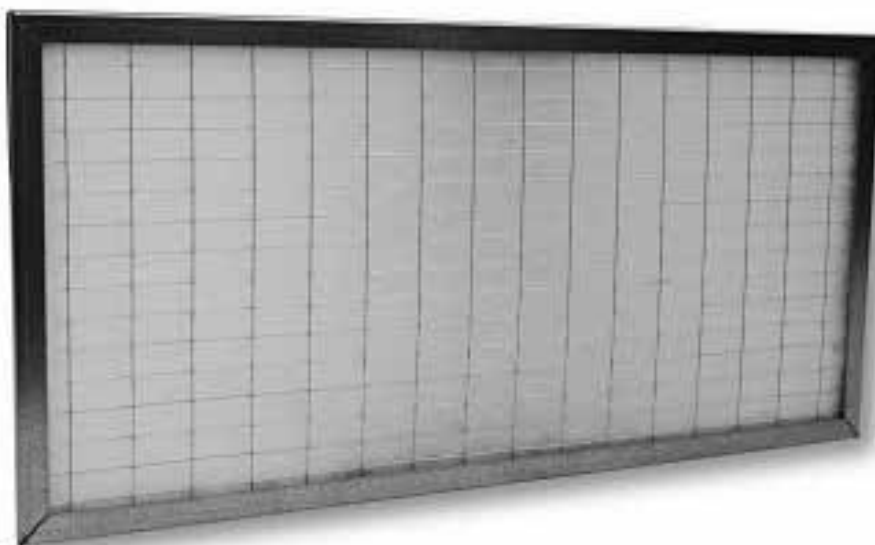
**NOTA : Installing heat recovery units filters with a higher grade that the standard one (e.g. G4, F7 on request) can generate significant losses in machine performance.**

# REPLACEMENT "GRADE G3" POLYURETHANE FILTER FOR ENTHALPIC HEAT RECOVERY UNITS

## TECHNICAL FEATURES

- EN779:2012 G3 CLASSIFICATION
- POLYURETHANE FILTER ELEMENT
- FRAME: 5/10 MICROSTRUCTURE ZINC-PLATED SHEET

FILTRATION  
CLASS G3



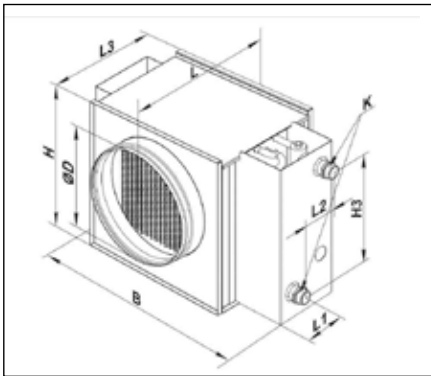
| REPLACEMENT "GRADE G3" POLYESTER FILTER FOR HI-TECH PUR HEAT RECOVERY VENTILATORS UNDER PRODUCTION |  |                  |                 |
|--|--|------------------|-----------------|
| CODE   | DESCRIPTION  | FILTRATION GRADE | DIMENSIONS (mm) |
| RIC00231   | FILTER FOR ENTHALPIC HEAT RECOVERY UNIT HI-TECH PUR 200 m <sup>3</sup> /h COD. 12300011  | G3               | 165 x 466 x 10  |
| RIC00231   | FILTER FOR ENTHALPIC HEAT RECOVERY UNIT HI-TECH PUR 300 m <sup>3</sup> /h COD. 12300012  | G3               | 165 x 466 x 10  |
| RIC00232   | FILTER FOR ENTHALPIC HEAT RECOVERY UNIT HI-TECH PUR 400 m <sup>3</sup> /h COD. 12300013  | G3               | 165 x 770 x 10  |
| RIC00232   | FILTER FOR ENTHALPIC HEAT RECOVERY UNIT HI-TECH PUR 600 m <sup>3</sup> /h COD. 12300014  | G3               | 165 x 770 x 10  |
| RIC00233   | FILTER FOR ENTHALPIC HEAT RECOVERY UNIT HI-TECH PUR 800 m <sup>3</sup> /h COD. 12300015  | G3               | 249 x 760 x 10  |
| RIC00234   | FILTER FOR ENTHALPIC HEAT RECOVERY UNIT HI-TECH PUR 1000 m <sup>3</sup> /h COD. 12300016 | G3               | 249 x 1010 x 10 |
| RIC00235   | FILTER FOR ENTHALPIC HEAT RECOVERY UNIT HI-TECH PUR 1300 m <sup>3</sup> /h COD. 12300017 | G3               | 250 x 1336 x 10 |

**NOTA : Installing heat recovery units filters with a higher grade that the standard one (e.g. G4, F7 on request) can generate significant losses in machine performance.**

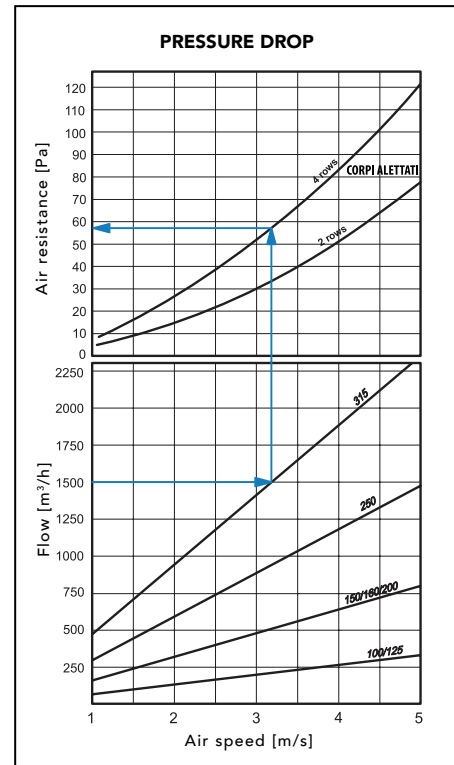
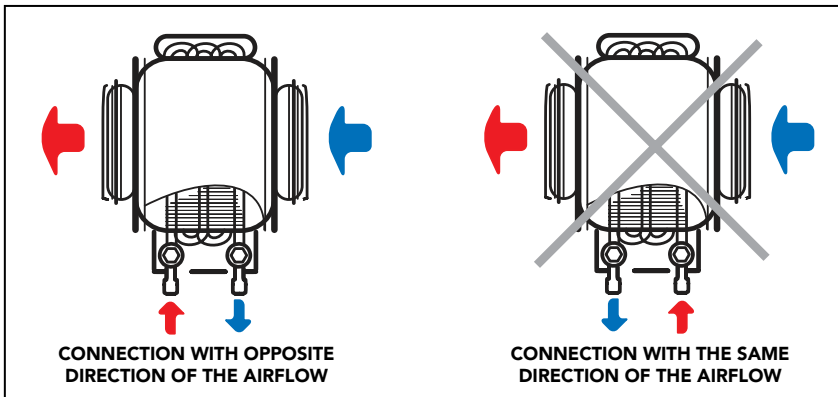
# HOT WATER COILS FOR HEAT RECOVERY UNITS

## TECHNICAL FEATURES

- BE USED INDOORS WITH AMBIENT TEMPERATURE OF +1°C - 50°C
- MAX. TEMPERATURE: +100°C
- MAX. PRESSURE AT 100°C: +100°C: 16 MPa (16 bar)
- DESIGNED FOR AREAS WITH COLD CLIMATE AND TEMPERATURES
- COPPER PIPES, ALUMINUM-FINNED
- FILL PACK
- GALVANIZED STEEL BOX



ALLOW THE AIR TEMPERATURE TO INCREASE, THEREBY ASSISTING THE FILL PACKS.



| MOD.    | Ø D (mm) | B (mm) | H (mm) | H3 (mm) | L (mm) | L1 (mm) | L2 (mm) | L3 (mm) | K (mm) | No. BATTERY ARRAYS | WEIGHT (kg) |
|---------|----------|--------|--------|---------|--------|---------|---------|---------|--------|--------------------|-------------|
| 200 - 2 | 198      | 400    | 280    | 200     | 300    | 32      | 43      | 220     | G 3/4" | 2                  | 7,5         |
| 200 - 4 | 198      | 400    | 280    | 200     | 300    | 28      | 65      | 220     | G 3/4" | 4                  | 8,2         |
| 250 - 2 | 248      | 470    | 350    | 270     | 350    | 32      | 43      | 270     | G 1"   | 2                  | 10,3        |
| 250 - 4 | 248      | 470    | 350    | 270     | 350    | 28      | 65      | 270     | G 1"   | 4                  | 10,8        |
| 315 - 2 | 313      | 550    | 430    | 350     | 450    | 57      | 43      | 370     | G 1"   | 2                  | 12,6        |
| 315 - 4 | 313      | 550    | 430    | 350     | 450    | 53      | 65      | 370     | G 1"   | 4                  | 13,4        |

| MODEL   | FLOW RATE (m <sup>3</sup> /h) | PRESSURE DIFFERENCE (Pa) | INLET AIR TEMPERATURE (°C) | Water temperature (entry / exit): +80 / +60 °C |                         |                         |                           |
|---------|-------------------------------|--------------------------|----------------------------|--|-------------------------|-------------------------|---------------------------|
|         |                               |                          |                            | INLET AIR TEMPERATURE (°C)                     | HEATING PACK POWER (kW) | WATER CONSUMPTION (l/s) | WATER PRESSURE LOSS (KPa) |
| 200 - 2 | 600                           | 23                       | -5                         | 20,6   | 5,9                     | 0,07                    | 13                        |
|         |                               |                          | 0                          | 26,0   | 5,2                     | 0,06                    | 10                        |
|         |                               |                          | 5                          | 31,0   | 4,6                     | 0,06                    | 8                         |
|         |                               |                          | 10                         | 35,8   | 4,0                     | 0,05                    | 7                         |
| 200 - 4 | 600                           | 44                       | -5                         | 36,8   | 11                      | 0,13                    | 13                        |
|         |                               |                          | 0                          | 40,5   | 9,8                     | 0,12                    | 11                        |
|         |                               |                          | 5                          | 43,6   | 8,7                     | 0,11                    | 9                         |
|         |                               |                          | 10                         | 47,2   | 7,8                     | 0,09                    | 7                         |
| 250 - 2 | 900                           | 25                       | -5                         | 22,3   | 9,9                     | 0,12                    | 7                         |
|         |                               |                          | 0                          | 27,1   | 8,9                     | 0,11                    | 6                         |
|         |                               |                          | 5                          | 31,9   | 7,7                     | 0,09                    | 5                         |
|         |                               |                          | 10                         | 36,6   | 6,7                     | 0,08                    | 4                         |
| 250 - 4 | 900                           | 39                       | -5                         | 40,4   | 16                      | 0,2                     | 12                        |
|         |                               |                          | 0                          | 43   | 14                      | 0,17                    | 9                         |
|         |                               |                          | 5                          | 47   | 12                      | 0,15                    | 8                         |
|         |                               |                          | 10                         | 49   | 10,5                    | 0,13                    | 6                         |
| 315 - 2 | 1420                          | 27                       | -5                         | 27   | 18                      | 0,22                    | 9                         |
|         |                               |                          | 0                          | 32   | 16,3                    | 0,2                     | 8                         |
|         |                               |                          | 5                          | 36,9   | 14,5                    | 0,18                    | 6                         |
|         |                               |                          | 10                         | 41,2   | 12,9                    | 0,16                    | 5                         |
| 315 - 4 | 1420                          | 37                       | -5                         | 39,6   | 24                      | 0,3                     | 15                        |
|         |                               |                          | 0                          | 43,2   | 21,9                    | 0,27                    | 12                        |
|         |                               |                          | 5                          | 46,5   | 19                      | 0,24                    | 10                        |
|         |                               |                          | 10                         | 49,8   | 16,8                    | 0,2                     | 8                         |

| CODE     | DESCRIPTION                                    |
|----------|--|
| 30370025 | HOT WATER COILS FOR HEAT RECOVERY UNIT 200 - 2 |
| 30370030 | HOT WATER COILS FOR HEAT RECOVERY UNIT 200 - 4 |
| 30370035 | HOT WATER COILS FOR HEAT RECOVERY UNIT 250 - 2 |
| 30370040 | HOT WATER COILS FOR HEAT RECOVERY UNIT 250 - 4 |
| 30370045 | HOT WATER COILS FOR HEAT RECOVERY UNIT 315 - 2 |
| 30370050 | HOT WATER COILS FOR HEAT RECOVERY UNIT 315 - 4 |

# ELECTRICAL BATTERIES FOR HEAT RECOVERY UNITS



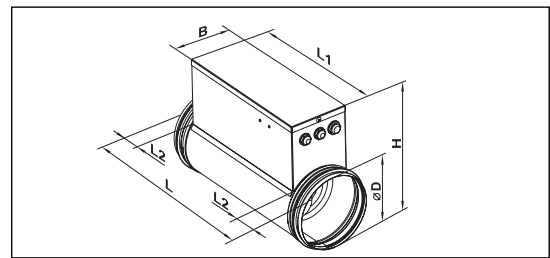
## TECHNICAL FEATURES

- FOR USE INDOORS WITH AMBIENT TEMPERATURE BETWEEN -30° AND 50°C
- DOES NOT HEAT AIR TEMPERATURE ABOVE +40°C
- TO PREVENT BATTERY OVERHEATING, THE AIR FLOW SHOULD ALWAYS BE GREATER THAN IS INDICATED IN THE TABLE
- EQUIPPED WITH TWO SAFETY SENSORS:
  - AT +50°C WITH AUTOMATIC RESET
  - AT +90°C WITH MANUAL RESET



EFFICIENCY 75%

| MODEL     | ØD (mm) | B (mm) | H (mm) | L (mm) | L1 (mm) | L2 (mm) | WEIGHT (kg) |
|-----------|---------|--------|--------|--------|---------|---------|-------------|
| 125-0,6-1 | 124     | 103    | 230    | 306    | 226     | 40      | 2,4         |
| 150-1,2-1 | 149     | 120    | 255    | 306    | 226     | 40      | 3,1         |
| 200-1,2-1 | 199     | 150    | 302    | 294    | 214     | 40      | 3,2         |
| 200-2,4-1 | 199     | 150    | 302    | 294    | 214     | 40      | 3,3         |
| 315-6,0-3 | 313     | 150    | 425    | 376    | 296     | 40      | 3,1         |



| CODE     | DESCRIPTION  |
|----------|--|
| 30380005 | ELECTRICAL BATTERIES FOR HEAT RECOVERY UNITS 125-0,6-1 |
| 30380010 | ELECTRICAL BATTERIES FOR HEAT RECOVERY UNITS 150-1,2-1 |
| 30380015 | ELECTRICAL BATTERIES FOR HEAT RECOVERY UNITS 200-1,2-1 |
| 30380020 | ELECTRICAL BATTERIES FOR HEAT RECOVERY UNITS 200-2,4-1 |
| 30380025 | ELECTRICAL BATTERIES FOR HEAT RECOVERY UNITS 315-6,0-3 |

| MODEL     | Vac           | P (KW) | I (A) | m³/h |
|-----------|---------------|--------|-------|------|
| 125-0,6-1 | 230 V - 50 Hz | 0,6    | 2,6   | 60   |
| 150-1,2-1 | 230 V - 50 Hz | 1,2    | 5,2   | 120  |
| 200-1,2-1 | 230 V - 50 Hz | 1,2    | 5,2   | 150  |
| 200-2,4-1 | 230 V - 50 Hz | 2,4    | 10,4  | 180  |
| 315-6,0-3 | 400 V - 50 Hz | 6,0    | 8,7   | 440  |

# COLD WATER COILS FOR HEAT RECOVERY UNITS

## TECHNICAL FEATURES

- MAXIMUM OPERATING PRESSURE: 15 bar
- ONLY FOR HORIZONTAL INSTALLATION
- IF THE COIL IS INSTALLED IN ZONES WITH TEMPERATURE OF LESS THAN 0°C, USE AN ANTIFREEZE

THE COLD WATER COIL IS MADE OF A GALVANIZED STEEL SHEET. THE HEAT EXCHANGER IS MADE OF COPPER PIPES AND ALUMINIUM FINS. THE COOLING COILS ARE PLACED ON THREE ROWS

**MAXIMUM OPERATING PRESSURE: 15 BAR**

COILS ARE EQUIPPED WITH DROPS SEPARATOR AND CONDENSATION COLLECTION TRAY

**THE WATER OUTLET/INLET CONNECTION CAN BE BOTH ON THE LEFT OR ON THE RIGHT SIDE OF THE COLD WATER COIL.**

DEVELOPED TO COOL THE SUPPLY AIR IN THE VENTILATION SYSTEM IN RECTANGULAR DUCTS.



AVAILABLE ON REQUEST

| CODE     | DESCRIPTION  |
|----------|--|
| 30370070 | COLD WATER COILS FOR HEAT RECOVERY UNITS 400 x 200 |
| 30370080 | COLD WATER COILS FOR HEAT RECOVERY UNITS 500 x 250 |

# PLENUM FOR DUCTABLE DEHUMIDIFIER MOUNTED ON SUSPENDED CEILING DE.CS25

## TECHNICAL FEATURES

- OF PRE-DRILLED HOLES: 1 FRONT + 2 SIDE
- Ø HOLES: 150 mm
- DEPTH: 250 mm
- PLENUM FOR COLLAR MODEL: A1

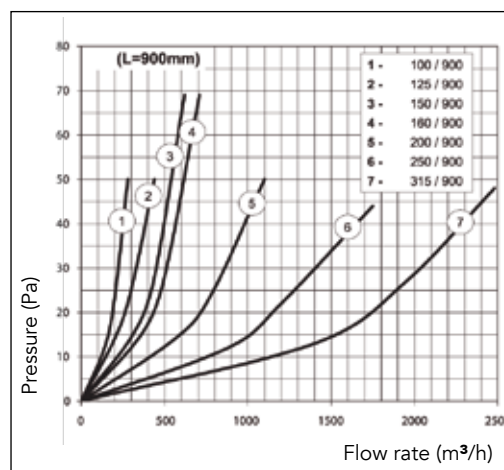


AVAILABLE ON REQUEST PLENUM FOR RECOVERY

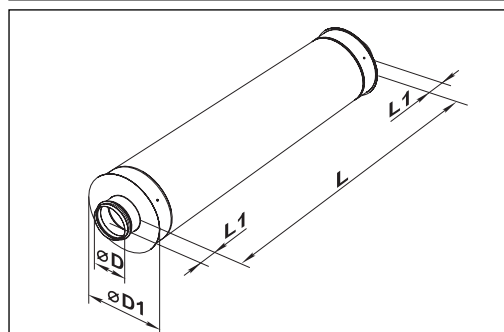
| CODE     | DESCRIPTION   |
|----------|---|
| 11161601 | PLENUM FOR DUCTABLE DEHUMIDIFIER MOUNTED ON SUSPENDED CEILING DE.CS25 |

## RIGID CIRCULAR SILENCER

THE SILENCER IS USED TO REDUCE NOISE LEVELS IN THE VENTILATION SYSTEMS AND AIR-DIFFUSER ALONG THE DUCTS. **SUITABLE FOR INSTALLATION ON CIRCULAR DUCTS**, IT SIGNIFICANTLY REDUCES DUCT NOISE.



| REDUCTION OF NOISE (dB) |       |        |        |        |         |         |         |         |
|-------------------------|-------|--------|--------|--------|---------|---------|---------|---------|
| RIGID CIRCULAR SILENCER |       |        |        |        |         |         |         |         |
| MOD.                    | 63 Hz | 125 Hz | 250 Hz | 500 Hz | 1000 Hz | 2000 Hz | 4000 Hz | 8000 Hz |
| 100/900                 | 5     | 10     | 15     | 23     | 44      | 30      | 16      | 15      |
| 125/900                 | 4     | 9      | 12     | 22     | 43      | 22      | 16      | 12      |
| 150/900                 | 3     | 5      | 9      | 18     | 36      | 25      | 13      | 14      |
| 160/900                 | 2     | 5      | 10     | 19     | 37      | 25      | 13      | 15      |
| 200/900                 | 3     | 7      | 11     | 20     | 39      | 23      | 8       | 7       |
| 250/900                 | 4     | 5      | 7      | 16     | 32      | 20      | 12      | 10      |
| 315/900                 | 3     | 5      | 8      | 17     | 30      | 14      | 10      | 8       |



| CODE     | DESCRIPTION               | ØD (mm) | ØD1 (mm) | L (mm) | L1 (mm) | WEIGHT (kg) |
|----------|---------------------------|---------|----------|--------|---------|-------------|
| 30390005 | CIRCULAR SILENCER 100/900 | 99      | 200      | 900    | 50      | 3,2         |
| 30390010 | CIRCULAR SILENCER 125/900 | 124     | 225      | 900    | 50      | 4,1         |
| 30390015 | CIRCULAR SILENCER 150/900 | 149     | 250      | 900    | 50      | 4,2         |
| 30390020 | CIRCULAR SILENCER 160/900 | 159     | 260      | 900    | 50      | 4,6         |
| 30390025 | CIRCULAR SILENCER 200/900 | 199     | 300      | 900    | 50      | 5,3         |
| 30390030 | CIRCULAR SILENCER 250/900 | 249     | 359      | 900    | 50      | 6,2         |
| 30390035 | CIRCULAR SILENCER 315/900 | 314     | 415      | 900    | 50      | 7,1         |



# SIMPLE-FLOW VENT CASINGS FOR V.M.C. SYSTEMS

## TECHNICAL FEATURES

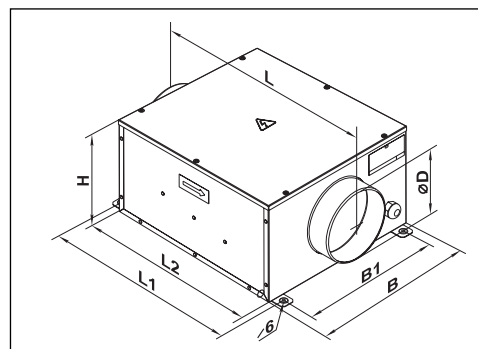
- IDEAL FOR RESIDENTIAL AND COMMERCIAL VENTILATION (COFFEE-BARS, PUBS, OFFICES ETC.)
- FOR VERTICAL AND HORIZONTAL INSTALLATION, WALL, CEILING AND FLOOR
- QUIET AND COMPACT



CAN ALSO BE USED WITH THE SPEED CONTROL CODE 30360080

| TECHNICAL FEATURES:      |             |         |         |          |         |         |
|--------------------------|-------------|---------|---------|----------|---------|---------|
| MODEL                    | 125         | 150     | 200     | 200 PLUS | 250     | 315     |
| VOLTAGE 50 Hz (Vac)      | 230 - 50 Hz |         |         |          |         |         |
| OUTPUT (W)               | 73          | 72      | 103     | 195      | 198     | 322     |
| CURRENT (A)              | 0,32        | 0,32    | 0,45    | 0,85     | 0,87    | 1,40    |
| AIR FLOW (m³/h)          | 330         | 420     | 730     | 950      | 1300    | 2150    |
| RPM                      | 2590        | 2600    | 2550    | 2570     | 2420    | 2670    |
| SOUND LEVEL 3 mt (Db(A)) | 35          | 36      | 38      | 41       | 41      | 43      |
| MAX TEMPERATURE (°C)     | -25 +55     | -25 +55 | -25 +50 | -25 +45  | -25 +50 | -25 +45 |
| PROTECTION RATING        | IP X4       |         |         |          |         |         |

| MOD.     | DIMENSIONS (mm) |     |     |     |     |     |     | WEIGHT (kg) |
|----------|-----------------|-----|-----|-----|-----|-----|-----|-------------|
|          | Ø D             | B   | B1  | H   | L   | L1  | L2  |             |
| 125      | 124             | 322 | 280 | 192 | 447 | 380 | 350 | 5,4         |
| 150      | 149             | 352 | 310 | 212 | 477 | 410 | 380 | 6,4         |
| 200      | 199             | 432 | 368 | 287 | 588 | 506 | 480 | 10,0        |
| 200 PLUS | 199             | 432 | 368 | 287 | 588 | 506 | 480 | 12,0        |
| 250      | 249             | 432 | 368 | 287 | 588 | 506 | 480 | 12,5        |
| 315      | 314             | 502 | 438 | 397 | 588 | 506 | 480 | 12,5        |



| CODE     | DESCRIPTION   |
|----------|---|
| 30360010 | SIMPLE-FLOW VENT CASINGS FOR V.M.C. SYSTEMS MOD. 125      |
| 30360020 | SIMPLE-FLOW VENT CASINGS FOR V.M.C. SYSTEMS MOD. 150      |
| 30360030 | SIMPLE-FLOW VENT CASINGS FOR V.M.C. SYSTEMS MOD. 200      |
| 30360040 | SIMPLE-FLOW VENT CASINGS FOR V.M.C. SYSTEMS MOD. 200 PLUS |
| 30360050 | SIMPLE-FLOW VENT CASINGS FOR V.M.C. SYSTEMS MOD. 250      |
| 30360060 | SIMPLE-FLOW VENT CASINGS FOR V.M.C. SYSTEMS MOD. 315      |

# SPEED CONTROL COMPLETE WITH INSTALLATION BOX FOR VENT CASINGS

## TECHNICAL FEATURES

- POWER SUPPLY: 230 V
- DIMENSIONS L 78 x D 78 x H 63 mm
- MAXIMUM CURRENT: 1,8 A
- TEMP. MAXIMUM EXERCISE: +40°C
- PLASTIC MATERIAL
- PROTECTION RATING: IP 40
- COMPLETE WITH INSTALLATION BOX

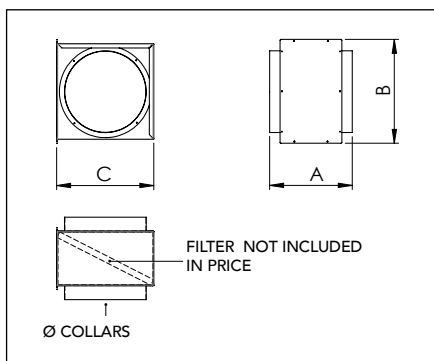


| CODE     | DESCRIPTION   |
|----------|---|
| 30360080 | SPEED CONTROL COMPLETE WITH INSTALLATION BOX FOR VENT CASINGS |

## FILTER HOUSING IN INSULATED SHEET METAL

### TECHNICAL FEATURES

- INSULATED GALVANISED SHEET METAL
- OUTER COATING IN 3mm THICK CLOSED CELL POLYTHENE
- 2 INPUT/OUTPUT COLLARS (SEE TABLE)
- FILTER NOT INCLUDED IN PRICE



| CODE      | DESCRIPTION  | A   | B   | C   | INPUT     | OUTPUT    |
|-----------|--|-----|-----|-----|-----------|-----------|
|           |  | mm  | mm  | mm  | Ø (mm)    | Ø (mm)    |
| ACD600020 | FILTER HOUSING IN INSULATED SHEET METAL - Ø150/200 | 397 | 270 | 246 | Ø 150/200 | Ø 150/200 |
| ACD600021 | FILTER HOUSING IN INSULATED SHEET METAL - Ø250     | 294 | 320 | 296 | Ø 250     | Ø 250     |
| ACD600022 | FILTER HOUSING IN INSULATED SHEET METAL - Ø300     | 294 | 420 | 396 | Ø 300     | Ø 300     |
| ACD600023 | FILTER HOUSING IN INSULATED SHEET METAL - Ø350     | 294 | 370 | 346 | Ø 350     | Ø 350     |
| ACD600024 | FILTER HOUSING IN INSULATED SHEET METAL - Ø450     | 294 | 470 | 446 | Ø 450     | Ø 450     |

## FILTER WITH G4 FILTERING RATE, FOR INSULATED SHEET METAL FILTER HOUSING

### TECHNICAL FEATURES

- EN779:2012 G4 CLASSIFICATION
- FILTER MEDIA: POLYESTER
- FRAME: GALVANISED MICROSPANGLE STEEL 5/10

FILTER RATE G4



| CODE      | DESCRIPTION  | DIMENSIONS (mm) |
|-----------|--|-----------------|
| ACC600001 | FILTER WITH G4 FILTERING RATE, FOR INSULATED SHEET METAL FILTER HOUSING - Ø150/200 | 285 x 240 x 22  |
| ACC600002 | FILTER WITH G4 FILTERING RATE, FOR INSULATED SHEET METAL FILTER HOUSING - Ø250     | 330 x 290 x 22  |
| ACC600003 | FILTER WITH G4 FILTERING RATE, FOR INSULATED SHEET METAL FILTER HOUSING - Ø300     | 375 x 340 x 22  |
| ACC600004 | FILTER WITH G4 FILTERING RATE, FOR INSULATED SHEET METAL FILTER HOUSING - Ø350     | 420 x 390 x 22  |
| ACC600005 | FILTER WITH G4 FILTERING RATE, FOR INSULATED SHEET METAL FILTER HOUSING - Ø450     | 515 x 490 x 22  |

## FILTER WITH F6 FILTERING RATE, FOR INSULATED SHEET METAL FILTER HOUSING

### TECHNICAL FEATURES

- EN779:2012 F6 CLASSIFICATION
- FILTER MEDIA: POLYESTER
- FRAME: GALVANISED MICROSPANGLE STEEL 5/10

FILTER RATE F6



| CODE      | DESCRIPTION  | DIMENSIONS (mm) |
|-----------|--|-----------------|
| ACC600006 | FILTER WITH F6 FILTERING RATE, FOR INSULATED SHEET METAL FILTER HOUSING - Ø150/200 | 285 x 240 x 22  |
| ACC600007 | FILTER WITH F6 FILTERING RATE, FOR INSULATED SHEET METAL FILTER HOUSING - Ø250     | 330 x 290 x 22  |
| ACC600008 | FILTER WITH F6 FILTERING RATE, FOR INSULATED SHEET METAL FILTER HOUSING - Ø300     | 375 x 340 x 22  |
| ACC600009 | FILTER WITH F6 FILTERING RATE, FOR INSULATED SHEET METAL FILTER HOUSING - Ø350     | 420 x 390 x 22  |
| ACC600010 | FILTER WITH F6 FILTERING RATE, FOR INSULATED SHEET METAL FILTER HOUSING - Ø450     | 515 x 490 x 22  |



## FILTER WITH F7 FILTERING RATE, FOR INSULATED SHEET METAL FILTER HOUSING

### TECHNICAL FEATURES

- EN779:2012 F7 CLASSIFICATION
- FILTER MEDIA: POLYESTER
- FRAME: GALVANISED MICROSPANGLE STEEL 5/10

FILTER RATE F7



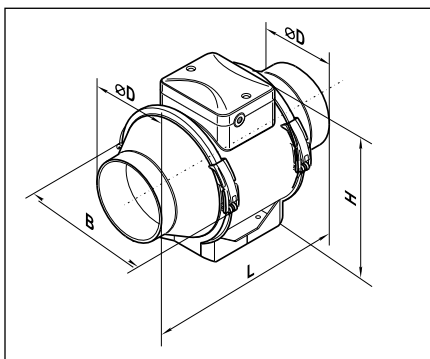
| CODE      | DESCRIPTION  | DIMENSIONS (mm) |
|-----------|--|-----------------|
| ACC600011 | FILTER WITH F7 FILTERING RATE, FOR INSULATED SHEET METAL FILTER HOUSING - Ø150/200 | 285 x 240 x 22  |
| ACC600012 | FILTER WITH F7 FILTERING RATE, FOR INSULATED SHEET METAL FILTER HOUSING - Ø250     | 330 x 290 x 22  |
| ACC600013 | FILTER WITH F7 FILTERING RATE, FOR INSULATED SHEET METAL FILTER HOUSING - Ø300     | 375 x 340 x 22  |
| ACC600014 | FILTER WITH F7 FILTERING RATE, FOR INSULATED SHEET METAL FILTER HOUSING - Ø350     | 420 x 390 x 22  |
| ACC600015 | FILTER WITH F7 FILTERING RATE, FOR INSULATED SHEET METAL FILTER HOUSING - Ø450     | 515 x 490 x 22  |

# MIXED-FLOW FANS IN LINEA

## TECHNICAL FEATURES

- EASY INSTALLATION
- EASY TO INSPECT
- 2 SPEEDS
- CONTROLLED BY ON/OFF SWITCH
- (NOT SUPPLIED)
- RECOMMENDED FOR KITCHENS, BATHROOMS, OFFICES AND STORES

## FASTENING SUPPORT INCLUDED



THE "IN LINE" FAN IS IDEAL FOR VENTILATION IN RIGID AND/OR FLEXIBLE CIRCULAR DUCTS FOR SUPPLY AND DELIVERY OF AIR IN HOUSES, OFFICES, SHOPS AND WASHROOMS.

IT IS MADE OF PLASTIC TO REDUCE CONDENSATION AND THE ALREADY-LOW FAN NOISE, AT BOTH MINIMUM AND MAXIMUM SPEEDS. BEING EQUIPPED WITH DUAL POWER TERMINAL, IT CAN BE MANAGED TO WORK AT TWO DIFFERENT REVOLUTIONS. THE QUICKRELEASE SYSTEM ENSURE MAXIMUM SPEED DURING INSTALLATION AND MAINTENANCE.

THE SUPPORT SUPPLIED ALLOWS INSTALLATION TO BE BOTH VERTICAL OR HORIZONTAL FLOOR, WALL OR CEILING.



## QUICK RELEASE SYSTEM FOR EASY INSTALLATION AND INSPECTION

| TECHNICAL FEATURES:         |               |      |      |      |      |      |      |      |      |      |
|-----------------------------|---------------|------|------|------|------|------|------|------|------|------|
| MODEL                       | 100           |      | 125  |      | 150  |      | 200  |      | 250  |      |
| POWER ON                    | 230 V - 50 Hz |      |      |      |      |      |      |      |      |      |
| SPEED                       | min           | max  | min  | max  | min  | max  | min  | max  | min  | max  |
| OUTPUT [W]                  | 21            | 33   | 23   | 37   | 30   | 60   | 76   | 108  | 125  | 177  |
| CURRENT [A]                 | 0,11          | 0,21 | 0,18 | 0,27 | 0,17 | 0,27 | 0,34 | 0,48 | 0,54 | 0,79 |
| AIR FLOW [m³/h]             | 145           | 187  | 220  | 280  | 405  | 520  | 830  | 1040 | 1110 | 1400 |
| MAX SPEED (rpm)             | 2180          | 2385 | 1950 | 2455 | 1680 | 2460 | 1915 | 2380 | 1955 | 2440 |
| NOISE LEVEL AT 3 mt [dB(A)] | 27            | 36   | 28   | 37   | 33   | 44   | 45   | 52   | 47   | 55   |
| MAX. OPERATING TEMP. [°C]   | 60            |      |      |      |      |      |      |      |      |      |
| PROTECTION RATING           | IP X4         |      |      |      |      |      |      |      |      |      |

| CODE     | DESCRIZIONE                      | ØD  | B   | H   | L     | WEIGHT |
|----------|----------------------------------|-----|-----|-----|-------|--------|
|          |                                  | mm  | mm  | mm  | mm    | Kg     |
| 30360150 | MIXED-FLOW FANS "IN LINEA" Ø 100 | 96  | 167 | 190 | 246   | 1,4    |
| 30360160 | MIXED-FLOW FANS "IN LINEA" Ø 125 | 123 | 167 | 190 | 246   | 1,4    |
| 30360170 | MIXED-FLOW FANS "IN LINEA" Ø 150 | 146 | 223 | 250 | 295   | 3,0    |
| 30360250 | MIXED-FLOW FANS "IN LINEA" Ø 200 | 199 | 239 | 261 | 295,5 | 6,4    |
| 30360260 | MIXED-FLOW FANS "IN LINEA" Ø 250 | 247 | 287 | 323 | 383   | 8,3    |

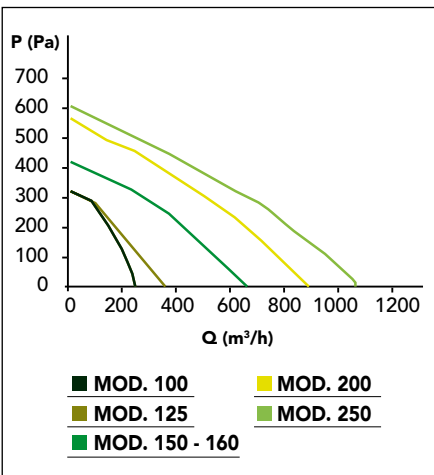
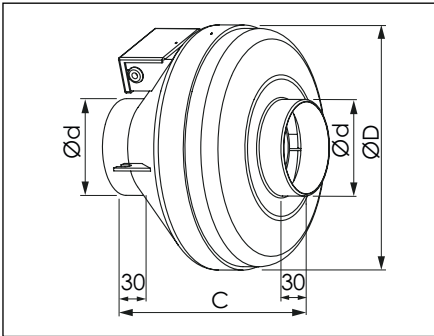
# IN LINE FANS FOR CIRCULAR DUCT



## TECHNICAL FEATURES

- ABS MATERIAL
- INSTALLATION PROTECTION RATING IP24
- MOTOR PROTECTION RATING IP54

## FASTENING SUPPORT INCLUDED



THE "IN LINE" FAN IS **IDEAL FOR VENTILATION IN RIGID AND/OR FLEXIBLE CIRCULAR DUCTS FOR SUPPLY AND DELIVERY OF AIR IN HOUSES, OFFICES, SHOPS AND WASHROOMS.**

IT IS MADE OF PLASTIC TO REDUCE CONDENSATION AND THE ALREADY-LOW FAN NOISE, AT BOTH MINIMUM AND MAXIMUM SPEEDS. THE SUPPORT SUPPLIED ALLOWS **INSTALLATION TO BE BOTH VERTICAL OR HORIZONTAL FLOOR, WALL OR CEILING.**



- ✓ TYPE OF PRODUCT: CENTRIFUGAL FAN
- ✓ USE: RESIDENTIAL, INDUSTRIAL, SHOPS AND STORES
- ✓ MOUNTING: AXIAL ON TUBE



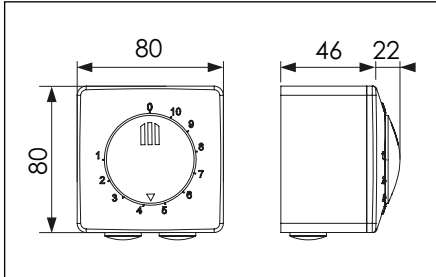
| TECHNICAL FEATURES:       |      |      |         |      |      |
|---------------------------|------|------|---------|------|------|
| MODEL                     | 100  | 125  | 150/160 | 200  | 250  |
| VOLTAGE (V)               | 230  | 230  | 230     | 230  | 230  |
| CURRENT (A)               | 0,24 | 0,24 | 0,39    | 0,61 | 0,95 |
| OUTPUT (W)                | 52   | 51   | 57      | 55   | 53   |
| AIR FLOW (m³/h)           | 265  | 370  | 680     | 900  | 1100 |
| MAX SPEED (rpm)           | 2350 | 2350 | 2700    | 2650 | 2500 |
| NOISE LEVEL dB(A)         | 52   | 51   | 57      | 55   | 53   |
| MAX. OPERATING TEMP. [°C] | 60   |      |         |      |      |
| WEIGHT                    | 2,5  | 2,4  | 3,7     | 4,5  | 4,8  |

| CODE      | DESCRIPTION                                  | Ød      | ØD  | C   | PESO |
|-----------|--|---------|-----|-----|------|
|           |  | mm      | mm  | mm  | Kg   |
| ACC500002 | FAN FOR CIRCULAR DUCT "IN LINEA" - Ø 100     | 99      | 251 | 215 | 2,5  |
| ACC500003 | FAN FOR CIRCULAR DUCT "IN LINEA" - Ø 125     | 124     | 251 | 220 | 2,4  |
| ACC500004 | FAN FOR CIRCULAR DUCT "IN LINEA" - Ø 150/160 | 149/159 | 340 | 229 | 3,7  |
| ACC500005 | FAN FOR CIRCULAR DUCT "IN LINEA" - Ø 200     | 199     | 339 | 250 | 4,5  |
| ACC500006 | FAN FOR CIRCULAR DUCT "IN LINEA" - Ø 250     | 249     | 339 | 250 | 4,8  |

# SPEED CONTROL FOR "IN LINEA" FAN FOR CIRCULAR DUCT

## TECHNICAL FEATURES

- PROVIDED WITH RFI FILTER AND 2.5A FUSE



## USED TO REGULATE "IN LINEA" FAN ROTATION SPEED.

THE DEVICE REGULATES FAN SPEED FROM MINIMUM TO MAXIMUM AND INCLUDES AN ON/OFF FUNCTION. **SPEED CONTROLS HELP SAVING ENERGY AND REDUCING NOISE** WHEN FANS ARE NOT OPERATING AT TOP SPEED.



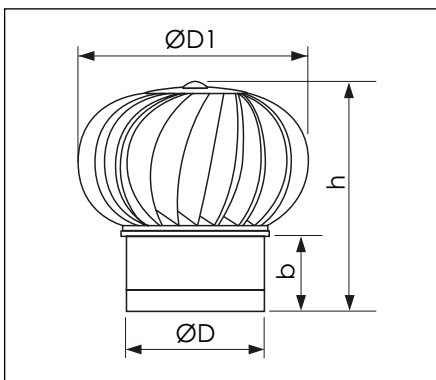
| CODE      | DESCRIPTION  |
|-----------|--|
| ACC600016 | SPEED CONTROL FOR "IN LINEA" FANS FOR CIRCULAR DUCTS |

# FUME ROTATING CHIMNEY



## THE ROTATING CHIMNEY IS A NATURAL FAN ELEMENT.

DUE TO ITS SPECIAL DESIGN IT USES WIND FORCE TO ROTATE THE CHIMNEY AND CREATE AN EXTRACTOR EFFECT. **THIS PRODUCT DOES NOT REQUIRE ELECTRICAL CONNECTION.**



| CODE      | DESCRIPTION                          | ØD  | ØD1 | b   | h   |
|-----------|--------------------------------------|-----|-----|-----|-----|
|           |                                      | mm  | mm  | mm  | mm  |
| ACC600017 | FUME ROTATING CHIMNEY FOR TUBE Ø 100 | 100 | 260 | 100 | 300 |
| ACC600018 | FUME ROTATING CHIMNEY FOR TUBE Ø 125 | 125 | 260 | 100 | 300 |
| ACC600019 | FUME ROTATING CHIMNEY FOR TUBE Ø 150 | 150 | 275 | 100 | 300 |
| ACC600020 | FUME ROTATING CHIMNEY FOR TUBE Ø 200 | 200 | 275 | 100 | 300 |



# GUIDE TO CHOOSING THE RIGHT EXTRACTOR

TO CHOOSE THE APPROPRIATE EXTRACTOR SUITED TO AN ENVIRONMENT, YOU MUST FIRST KNOW THE CUBIC METRES TO SERVE.

THEN YOU MUST MULTIPLY THE VOLUME (CUBIC M) BY FOUR TIMES, WHICH IS THE RECOMMENDED NUMBER OF HOURLY AIR EXCHANGES.

YOU WILL OBTAIN THE HOURLY CUBIC METRES OF AIR THAT THE EXTRACTOR MUST EXTRACT FROM THE ROOM EVERY HOUR.

## EXAMPLE FOR CALCULATING AN EXTRACTOR SIZE:

ROOM DIMENSIONS:  $6 \times 4 \text{ mt} = 24 \text{ m}^2$

VOLUME :  $24 \text{ m}^2 \times 2.70 \text{ mt (ALTEZZA)} = 64.8 \text{ m}^3$

EXTRACTOR FLOW RATE:  $64.8 \text{ m}^3 \times 4 = 259.2 \text{ m}^3/\text{h}$

IN THIS CASE, YOU MUST CHOOSE AN EXTRACTOR HAVING A CAPACITY OF **259 m<sup>3</sup>/h**.



## ROOM-VENTILATION PRINCIPLES IN COMPLIANCE WITH UNI-CIG

### THERMAL POWER (kW)

**GAS APPLIANCES INSTALLED FOR DOMESTIC USE ARE REQUIRED NOT TO EXCEED 35 KW.**

ROOMS HOUSING GAS APPLIANCES THAT HAVE A NAKED FLAME MUST FEATURE AIR VENTS, TO ALLOW FRESH AIR IN, MEASURING 6 CM<sup>2</sup> PER KW, FOR A MINIMUM OF 100 CM<sup>2</sup>.

**CONSEQUENTLY, IF THERE ARE VARIOUS GAS APPLIANCES IN A ROOM, SUCH AS A BOILER AND COOKTOP, THE KW OF EACH MUST BE ADDED TOGETHER AND MULTIPLIED BY 6 (CM<sup>2</sup>) TO DETERMINE THE FREE AREA OF THE DUCT OR GRILLE.**

### FLOW RATE:

**THIS IS THE AMOUNT OF AIR THAT PASSES THROUGH A GRILLE OR DUCT IN A UNIT OF TIME AND IS MEASURED IN M<sup>3</sup>/H**

FLOW RATE DEPENDS ON:

- FREE AREA SQ M
- AIR VELOCITY M/S

**ACCORDING TO THE EQUATION  $QV = 0,36 \times V \times S = \text{m}^3/\text{h}$**

EXAMPLE: AIR VELOCITY: 4 m/s (V)

GRILLE FREE AREA: 120 cm<sup>2</sup> (S)

FLOW RATE  $QV = 0,36 \times 120 (S) 4 (V) = 172,8 \text{ m}^3/\text{h}$

### VENTILATION:

REFERS TO A FLOW OF AIR THAT IS VITAL TO COMBUSTION IN APPLIANCES THAT HAVE A NAKED FLAME AND ARE FITTED WITH DUCTING TO CARRY FLUE GASES OUTSIDE.

### AERATION:

REFERS TO A SUPPLY OF FRESH AIR THAT IS ESSENTIAL FOR REMOVING COMBUSTION RESIDUES SO AS TO AVOID HAZARDOUS UNBURNED GAS MIXTURES IN ROOMS HOUSING GAS APPLIANCES THAT ARE NOT DUCTED TO THE OUTSIDE.

### PRESSURE DROPS:

REFERS TO ALL THOSE FACTORS THAT CAN GIVE RISE TO OBSTRUCTIONS ALONG THE PATH OF AIR FLOW, AFFECTING THE FLOW RATE, SUCH AS DUCTING LENGTH OR THE SHAPE OF THE GRILLE.



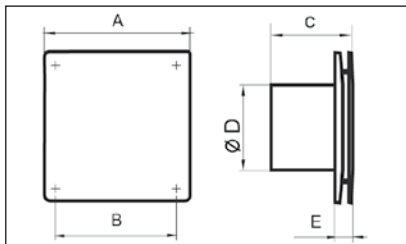
# EVEN-T ELECTRIC EXTRACTOR

## TECHNICAL FEATURES

- WALL MOUNTING (WITH CONCEALED SCREWS)
- ABS CONSTRUCTION
- 7-BLADE FAN
- ENGINEERED FOR THE VENTILATION OF SMALL AND MEDIUM-SIZE ROOMS
- FEATURES TIMER OPTION ADJUSTABLE FROM 2 TO 30 MIN.
- OPTION OF MOUNTING INSIDE VENTILATION DUCTING



### WALL INSTALLATION



| DIMENSIONS (mm) |     |     |     |     |    |
|-----------------|-----|-----|-----|-----|----|
| MODEL           | A   | B   | C   | Ø D | E  |
| EVEN-T          | 150 | 108 | 126 | 100 | 30 |

| TECHNICAL FEATURES |               |
|--------------------|---------------|
| SUPPLY VOLTAGE     | 220 V - 50 Hz |
| POWER CONSUMPTION  | 14 W          |
| CURRENT DEMAND     | 0,085 A       |
| FAN SPEED          | 2300 R.P.M.   |
| EXTRACTION RATE    | 88 m³/h       |
| AIR PRESSURE       | 33 PA         |
| SOUND LEVEL        | 33 dB(A)      |
| WEIGHT             | 0,60 kg       |

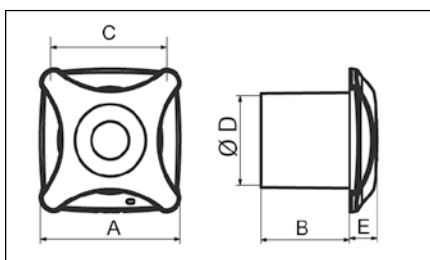
| CODE     | DESCRIPTION                 |
|----------|-----------------------------|
| 11104028 | "EVEN-T" ELECTRIC EXTRACTOR |

# LUXURY ELECTRIC EXTRACTOR

## TECHNICAL FEATURES

- ABS CONSTRUCTION
- SWITCH OPERATED
- 7-BLADE FAN
- IDEAL FOR VENTILATION OF SMALL AND MEDIUM-SIZED ROOMS
- WALL OR CEILING MOUNTING
- WALL MOUNTING (WITH CONCEALED SCREWS)
- INTEGRATED LED LIGHT 12 V

### WALL OR CEILING INSTALLATION



| DIMENSIONS (mm) |     |    |     |     |    |
|-----------------|-----|----|-----|-----|----|
| MODEL           | A   | B  | C   | Ø D | E  |
| LUXURY          | 151 | 96 | 120 | 100 | 30 |



**LED LIGHT**

| TECHNICAL FEATURES |               |                 |          |
|--------------------|---------------|-----------------|----------|
| SUPPLY VOLTAGE     | 220 V - 50 Hz | EXTRACTION RATE | 89 m³/h  |
| POWER CONSUMPTION  | 15 W          | AIR PRESSURE    | 31 PA    |
| CURRENT DEMAND     | 0,085 A       | SOUND LEVEL     | 33 dB(A) |
| FAN SPEED          | 2300 R.P.M.   | WEIGHT          | 0,62 kg  |

| CODE     | DESCRIPTION                 |
|----------|-----------------------------|
| 11104026 | "LUXURY" ELECTRIC EXTRACTOR |

# HIGH ELECTRIC EXTRACTOR

## TECHNICAL FEATURES

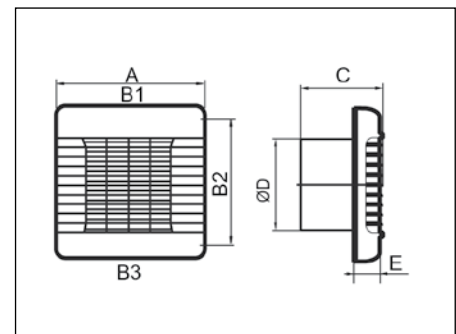
- IDEAL FOR VENTILATION OF SMALL AND MEDIUM-SIZED ROOMS
- ABS CONSTRUCTION 7-BLADE FAN
- AUTOMATIC BLADE OPENING EASY SCREW FASTENING
- EASY ATTACHMENT WITH CONCEALED SCREWS
- "HIGH" VERSION SWITCH OPERATED
- "HIGH T" VERSION FEATURES TIMER OPTION ADJUSTABLE FROM 2 TO 30 MIN.
- "HIGH TI" VERSION FEATURES TIMER OPTION ADJUSTABLE FROM 2 TO 30 MIN. AND PRESENCE SENSOR THAT DETECTS MOTION AT A DISTANCE OF BETWEEN 1 AND 4 METRES
- "HIGH TH" VERSION FEATURES TIMER OPTION ADJUSTABLE FROM 2 TO 30 MIN. AND HUMIDITY SENSOR ADJUSTABLE IN 60% TO 90% RANGE



WALL OR CEILING  
INSTALLATION



| TECHNICAL FEATURES | Ø 100 mm             | Ø 125 mm              | Ø 150 mm              |
|--------------------|----------------------|-----------------------|-----------------------|
| SUPPLY VOLTAGE     | 220 V - 50 Hz        | 220 V - 50 Hz         | 220 V - 50 Hz         |
| POWER CONSUMPTION  | 18 W                 | 22 W                  | 26 W                  |
| CURRENT DEMAND     | 0,085 A              | 0,100 A               | 0,130 A               |
| FAN SPEED          | 2300 R.P.M.          | 2400 R.P.M.           | 2400 R.P.M.           |
| EXTRACTION RATE    | 98 m <sup>3</sup> /h | 185 m <sup>3</sup> /h | 295 m <sup>3</sup> /h |
| AIR PRESSURE       | 33 PA                | 53 PA                 | 88 PA                 |
| SOUND LEVEL        | 34 dB(A)             | 35 dB(A)              | 39 dB(A)              |
| WEIGHT             | 0,65 kg              | 0,75 kg               | 1,02 kg               |



| DIMENSIONS (mm) |     |     |     |     |     |     |    |
|-----------------|-----|-----|-----|-----|-----|-----|----|
| MODEL           | A   | B1  | B2  | B3  | C   | Ø D | E  |
| HIGH Ø 100      | 166 | 150 | 150 | 150 | 90  | 100 | 30 |
| HIGH Ø 125      | 186 | 128 | 173 | 174 | 98  | 125 | 30 |
| HIGH Ø 150      | 210 | 150 | 195 | 196 | 114 | 150 | 30 |
| HIGH T Ø 100    | 166 | 150 | 150 | 150 | 90  | 100 | 30 |
| HIGH T Ø 125    | 186 | 128 | 173 | 174 | 98  | 125 | 30 |
| HIGH T Ø 150    | 210 | 150 | 195 | 196 | 114 | 150 | 30 |
| HIGH TI Ø 100   | 166 | 150 | 150 | 150 | 90  | 100 | 30 |
| HIGH TI Ø 125   | 186 | 128 | 173 | 174 | 98  | 125 | 30 |
| HIGH TI Ø 150   | 210 | 150 | 195 | 196 | 114 | 150 | 30 |
| HIGH TH Ø 100   | 166 | 150 | 150 | 150 | 90  | 100 | 30 |

| MODEL   | CODE Ø 100 | CODE Ø 125 | CODE Ø 150 |
|---------|------------|------------|------------|
| HIGH    | 11104012   | 11104013   | 11104014   |
| HIGH T  | 11104016   | 11104017   | 11104018   |
| HIGH TI | 11104020   | 11104021   | 11104022   |
| HIGH TH | 11104024   | -          | -          |

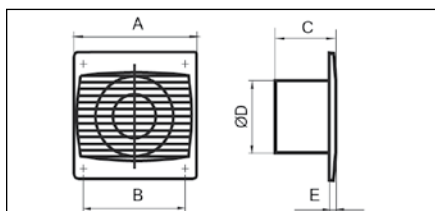
# OPEN ELECTRIC EXTRACTOR

## TECHNICAL FEATURES

- IDEAL FOR VENTILATION OF SMALL AND MEDIUM-SIZED ROOMS
- ABS CONSTRUCTION 7-BLADE FAN
- CEILING MOUNTING EASY SCREW FASTENING
- "OPEN" VERSION SWITCH OPERATED
- "OPEN T" VERSION FEATURES TIMER OPTION ADJUSTABLE FROM 2 TO 30 MIN.
- "OPEN TH" VERSION FEATURES TIMER OPTION ADJUSTABLE FROM 2 TO 30 MIN. AND HUMIDITY SENSOR ADJUSTABLE IN 60% TO 90% RANGE
- FITTED WITH INSECT MESH



## WALL OR CEILING INSTALLATION



| DIMENSIONS (mm) |     |     |     |     |    |
|-----------------|-----|-----|-----|-----|----|
| MODEL           | A   | B   | C   | Ø D | E  |
| OPEN Ø 100      | 150 | 120 | 108 | 100 | 12 |
| OPEN Ø 125      | 176 | 140 | 114 | 125 | 12 |
| OPEN Ø 150      | 205 | 165 | 132 | 150 | 12 |
| OPEN T Ø 100    | 150 | 120 | 108 | 100 | 12 |
| OPEN T Ø 125    | 176 | 140 | 114 | 125 | 12 |
| OPEN T Ø 150    | 205 | 165 | 132 | 150 | 12 |
| OPEN TH Ø 100   | 150 | 120 | 108 | 100 | 12 |
| OPEN TH Ø 125   | 176 | 140 | 114 | 125 | 12 |
| OPEN TH Ø 150   | 205 | 165 | 132 | 150 | 12 |



| TECHNICAL FEATURES | Ø 100                | Ø 125                 | Ø 150                 |
|--------------------|----------------------|-----------------------|-----------------------|
| VOLTAGE            | 220 V - 50 HZ        | 220 V - 50 HZ         | 220 V - 50 HZ         |
| POWER CONSUMPTION  | 14 W                 | 14 W                  | 24 W                  |
| CURRENT DEMAND     | 0,085 A              | 0,085 A               | 0,130 A               |
| FAN SPEED          | 2300 R.P.M.          | 2400 R.P.M.           | 2400 R.P.M.           |
| EXTRACTION RATE    | 95 m <sup>3</sup> /h | 180 m <sup>3</sup> /h | 292 m <sup>3</sup> /h |
| AIR PRESSURE       | 35 PA                | 55 PA                 | 86 PA                 |
| SOUND LEVEL        | 34 dB(A)             | 35 dB(A)              | 38 dB(A)              |
| WEIGHT             | 0,54 kg              | 0,75 kg               | 0,93 kg               |

| MODEL   | CODE Ø 100 | CODE Ø 125 | CODE Ø 150 |
|---------|------------|------------|------------|
| OPEN    | 11104000   | 11104001   | 11104002   |
| OPEN T  | 11104004   | 11104005   | 11104006   |
| OPEN TH | 11104008   | 11104009   | 11104010   |

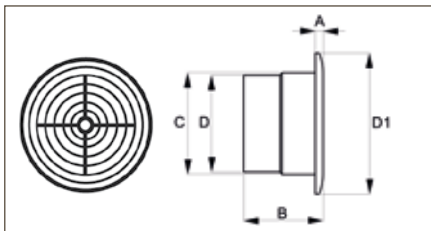
# CIRCLE ELECTRIC EXTRACTOR

## TECHNICAL FEATURES

- IDEAL FOR VENTILATION OF SMALL AND MEDIUM-SIZED ROOMS
- ABS CONSTRUCTION
- SWITCH OPERATED
- QUIET 7-BLADE FAN
- EASY ATTACHMENT WITH CONCEALED SCREWS
- WALL OR CEILING MOUNTING
- FITTED WITH INSECT MESH



## WALL OR CEILING INSTALLATION



| TECHNICAL FEATURES | Ø 100       | Ø 125       | Ø 150       |
|--------------------|-------------|-------------|-------------|
| SUPPLY VOLTAGE     | 220V - 50Hz | 220V - 50Hz | 220V - 50Hz |
| POWER CONSUMPTION  | 14 W        | 16 W        | 24 W        |
| CURRENT DEMAND     | 0,085 A     | 0,100 A     | 0,130 A     |
| FAN SPEED          | 2300 R.P.M. | 2400 R.P.M. | 2400 R.P.M. |
| EXTRACTION RATE    | 98 m³/h     | 185 m³/h    | 292 m³/h    |
| AIR PRESSURE       | 33 PA       | 55 PA       | 86 PA       |
| SOUND LEVEL        | 34 dB(A)    | 35 dB(A)    | 38 dB(A)    |
| WEIGHT             | 0,47 kg     | 0,58 kg     | 0,90 kg     |

| DIMENSIONS (mm) |    |     |     |     |      |
|-----------------|----|-----|-----|-----|------|
| MODEL           | A  | B   | C   | Ø D | Ø D1 |
| CIRCLE Ø 100    | 12 | 99  | 102 | 100 | 141  |
| CIRCLE Ø 125    | 14 | 100 | 127 | 125 | 170  |
| CIRCLE Ø 150    | 15 | 116 | 152 | 150 | 188  |

| CODE     | DESCRIPTION                       |
|----------|-----------------------------------|
| 11104040 | "CIRCLE" ELECTRIC EXTRACTOR Ø 100 |
| 11104041 | "CIRCLE" ELECTRIC EXTRACTOR Ø 125 |
| 11104042 | "CIRCLE" ELECTRIC EXTRACTOR Ø 150 |

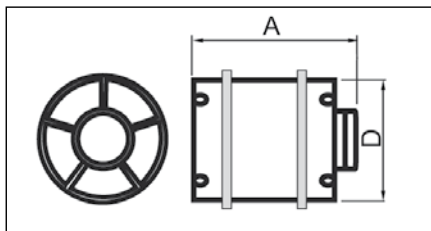
# SOTTOCAPPA ELECTRIC EXTRACTOR

## TECHNICAL FEATURES

- IDEAL FOR FORCED EXTRACTION TO REMOVE ODOURS IN HOODS
- OPTION OF USE FOR EITHER SUPPLY OR RETURN
- ABS CONSTRUCTION
- SWITCH OPERATED



## WALL OR CEILING INSTALLATION



| DIMENSIONS (mm)  |     |     |
|------------------|-----|-----|
| MODEL            | A   | Ø D |
| SOTTOCAPPA Ø 100 | 113 | 100 |
| SOTTOCAPPA Ø 125 | 118 | 125 |
| SOTTOCAPPA Ø 150 | 128 | 150 |

| TECHNICAL FEATURES | Ø 100         | Ø 125         | Ø 150         |
|--------------------|---------------|---------------|---------------|
| SUPPLY VOLTAGE     | 230 V - 50 Hz | 230 V - 50 Hz | 230 V - 50 Hz |
| POWER CONSUMPTION  | 14 W          | 16 W          | 30 W          |
| CURRENT DEMAND     | 0,085 A       | 0,100 A       | 0,130 A       |
| FAN SPEED          | 2300 R.P.M.   | 2400 R.P.M.   | 2400 R.P.M.   |
| EXTRACTION RATE    | 107 m³/h      | 190 m³/h      | 305 m³/h      |
| AIR PRESSURE       | 41 PA         | 60 PA         | 95 PA         |
| SOUND LEVEL        | 36 dB(A)      | 38 dB(A)      | 40 dB(A)      |
| WEIGHT             | 0,41 kg       | 0,43 kg       | 0,80 kg       |

| CODE     | DESCRIPTION                         |
|----------|-------------------------------------|
| 11104030 | ELECTRIC EXTRACTOR SOTTOCAPPA Ø 100 |
| 11104031 | ELECTRIC EXTRACTOR SOTTOCAPPA Ø 125 |
| 11104032 | ELECTRIC EXTRACTOR SOTTOCAPPA Ø 150 |

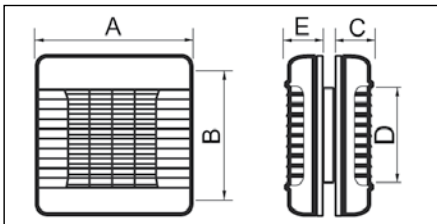
# WINDOW ELECTRIC EXTRACTOR

## TECHNICAL FEATURES

- IDEAL FOR FITTING ON WINDOWS/ GLAZED AREAS
- RECOMMENDED FOR EXTRACTING AIR FROM KITCHENS/SHOPS/OFFICES/ RESTAURANTS
- ABS CONSTRUCTION
- AUTOMATIC BLADE OPENING
- FEATURES TIMER OPTION ADJUSTABLE FROM 2 TO 30 MIN.



## GLASS WINDOW INSTALLATION



| DIMENSIONS (mm) |     |     |    |     |    |
|-----------------|-----|-----|----|-----|----|
| MODEL           | A   | B   | C  | D   | E  |
| WINDOW Ø 125    | 186 | 173 | 53 | 125 | 60 |
| WINDOW Ø 150    | 210 | 195 | 60 | 150 | 66 |



REAR VIEW

| TECHNICAL FEATURES | Ø 125 mm              | Ø 150 mm              |
|--------------------|-----------------------|-----------------------|
| SUPPLY VOLTAGE     | 230 V - 50 Hz         | 230 V - 50 Hz         |
| POWER CONSUMPTION  | 22 W                  | 26 W                  |
| CURRENT DEMAND     | 0,100 A               | 0,130 A               |
| FAN SPEED          | 2400 R.P.M.           | 2400 R.P.M.           |
| EXTRACTION RATE    | 185 m <sup>3</sup> /h | 295 m <sup>3</sup> /h |
| AIR PRESSURE       | 55 PA                 | 80 PA                 |
| SOUND LEVEL        | 35 dB(A)              | 41 dB(A)              |
| WEIGHT             | 1,14 kg               | 1,51 kg               |

| CODE     | DESCRIPTION                     |
|----------|---------------------------------|
| 11104034 | ELECTRIC EXTRACTOR WINDOW Ø 125 |
| 11104035 | ELECTRIC EXTRACTOR WINDOW Ø 150 |



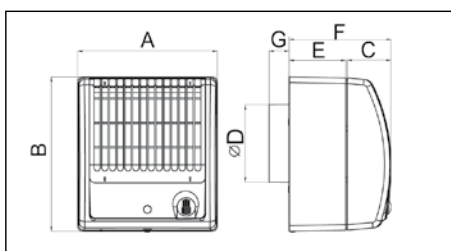
# DUCTED ELECTRIC CENTRIFUGAL EXTRACTOR



## TECHNICAL FEATURES

- EASY INSTALLATION AND MAINTENANCE
- WALL OR RECESSED MOUNTING
- COMES WITH FAN PROTECTION FILTER
- SWITCH OPERATED
- ABS CONSTRUCTION
- PROTECTION RATING: IP 24
- GRAVITY-OPERATED REAR SHUTTER OPENING/CLOSING

## WALL INSTALLATION



## DIMENSIONS (mm)

| MODEL | A   | B   | C  | Ø D | E  | F   | G  |
|-------|-----|-----|----|-----|----|-----|----|
| ACC   | 200 | 215 | 59 | 98  | 73 | 132 | 26 |



REAR VIEW

| TECHNICAL FEATURES |                       |
|--------------------|-----------------------|
| SUPPLY VOLTAGE     | 220 V - 50 Hz         |
| POWER CONSUMPTION  | 29 W                  |
| CURRENT DEMAND     | 0,17 A                |
| FAN SPEED          | 2500 R.P.M.           |
| EXTRACTION RATE    | 128 m <sup>3</sup> /h |
| AIR PRESSURE       | 122 PA                |
| SOUND LEVEL        | 38 dB(A)              |
| WEIGHT             | 1,3 kg                |

| CODE     | DESCRIPTION                           |
|----------|---------------------------------------|
| 11104029 | DUCTED ELECTRIC CENTRIFUGAL EXTRACTOR |



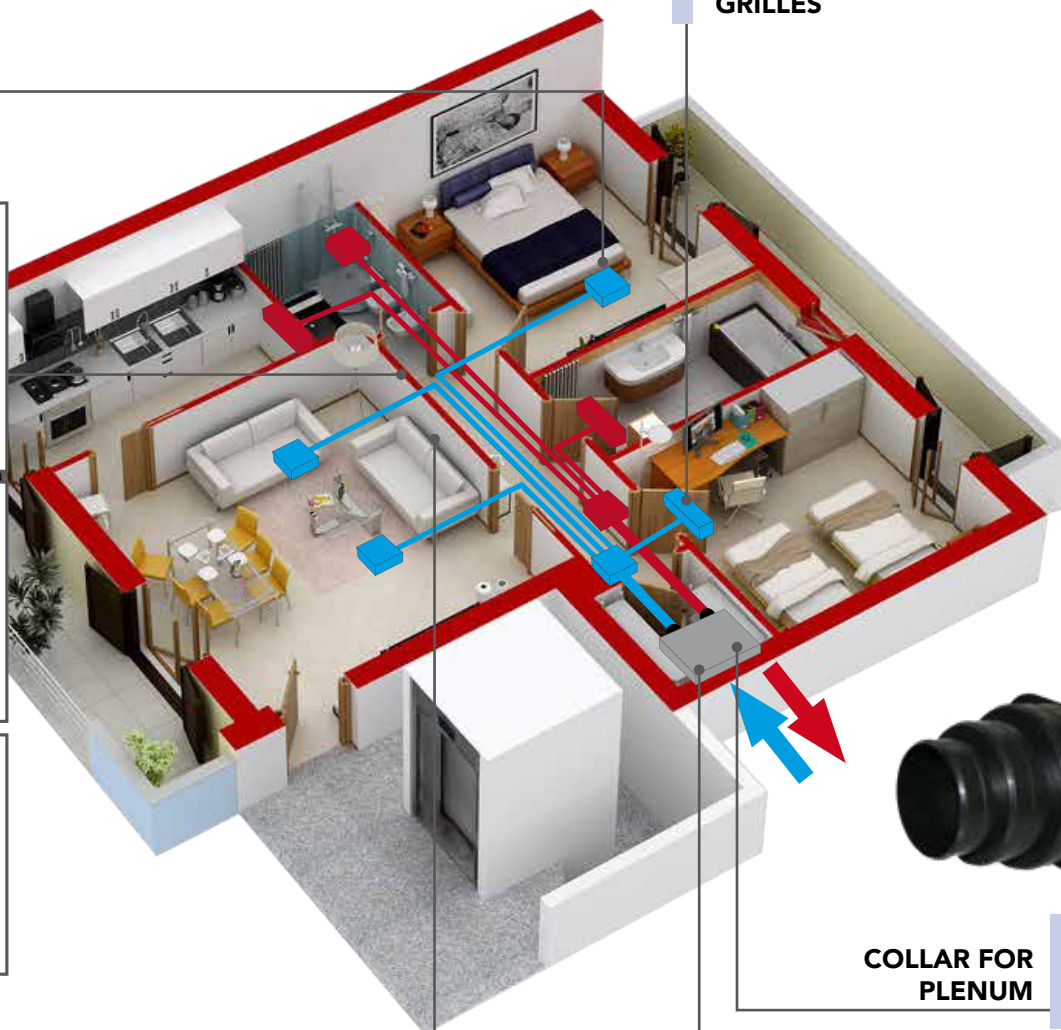
# PIPES AND ACCESSORIES FOR MECHANICAL CONTROLLED VENTILATION



**LINEAR DIFFUSERS**



**SUPPLY AND RETURN GRILLES**

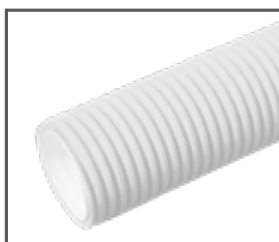


**FLEXIBLE AND RIGID PIPES**



**COLLAR FOR PLENUM**

\*SEE CATALOGUE PROJECT WIND



**FLEXIBLE AND RIGID PIPES\***



**PLENUM**

# CUSTOM MADE SUPPLY/RETURN PLENUM IN PAL FOR CONTROLLED MECHANICAL VENTILATION

**SUPPLY/RETURN PLENUM MADE OF PANELS OF POLYISOCYANURATE FOAM COVERED BY GOFFERED ALUMINIUM (80 MICRON THICK).** THE PANELS ARE THERMALLY INSULATED, FIRE-RESISTANT, HYGIENIC AND 20 MM THICK.

INSULATION  
20 mm

CUSTOM-MADE



EXAMPLE OF PLENUM EQUIPPED WITH COLLARS IN ALUMINIUM.



Apply.co

## DIMENSIONS (mm)



THE PLENUM CAN BE EQUIPPED WITH COLLARS (SEE PAGE 87-88 OF CATALOGUE PROJECT WIND TO CHOOSE THE MODEL). THE COSTS OF THE COLLARS IS TO CHARGE EXTRA. WHEN PLACING THE ORDER, PLEASE INDICATE CLEARLY YOU NEED THE COLLARS PROVIDING THE QUANTITY AND WHERE TO INSTALL THEM.

**CONFIRM THE EXTERNAL DIMENSIONS OF THE PLENUM ( A x B x C). PLEASE CONSIDER ALWAYS THE 20 MM THICKNESS OF THE PAL PANEL.**



| CODE     | DESCRIPTION   | INTERNAL HEIGHT (A) | INTERNAL WIDTH (B) | INTERNAL DEPTH (C) | N° OUTPUT        |
|----------|---|---------------------|--------------------|--------------------|------------------|
| 30100042 | SUPPLY/RETURN PLENUM IN PAL FOR CONTROLLED MECHANICAL VENTILATION MOD.1 | UNTIL 300 mm        | UNTIL 1000 mm      | 260 mm FIXED       | UNTIL 6 OUTPUT*  |
| 30100044 | SUPPLY/RETURN PLENUM IN PAL FOR CONTROLLED MECHANICAL VENTILATION MOD.2 | UNTIL 400 mm        | UNTIL 1200 mm      | 260 mm FIXED       | UNTIL 12 OUTPUT* |
| 30100046 | SUPPLY/RETURN PLENUM IN PAL FOR CONTROLLED MECHANICAL VENTILATION MOD.3 | UNTIL 400 mm        | UNTIL 1500 mm      | 260 mm FIXED       | UNTIL 18 OUTPUT* |

\* THE QUANTITY OF COLLARS VARIES ACCORDING TO THE DIMENSIONS OF THE PLENUM ITSELF AND TO THE KIND OF COLLAR YOU CHOOSE.

# INSULATED SHEET METAL PLENUM FOR FLEXIBLE HOSE WITH 2 - 3 - 4 - 5 OUTLETS Ø 150



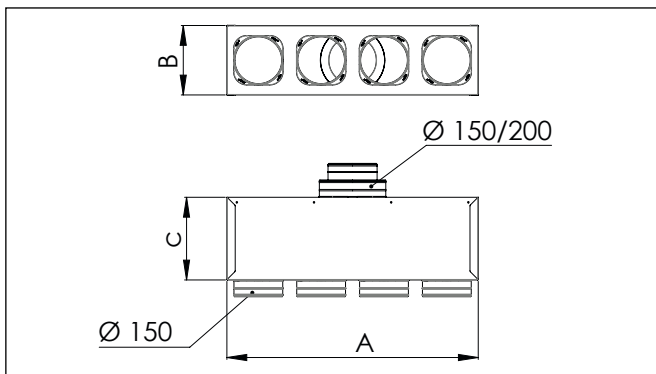
## TECHNICAL FEATURES

- INSULATED GALVANISED SHEET METAL
- 3mm THICK POLYETHYLENE EXTERNAL INSULATION
- DOUBLE DIAMETER AIR INLET COLLAR WITH COUPLING FOR Ø200 / Ø150mm PIPES
- OUTLET COLLARS AS PER TABLE
- COMPLETE WITH BRACKETS FOR CEILING MOUNTING

Example: 4 outlets



\* LATERAL OR UPPER INLET ON REQUEST



| CODE      | A   | B   | C   |
|-----------|-----|-----|-----|
|           | mm  | mm  | mm  |
| ACD600001 | 380 | 210 | 250 |
| ACD600002 | 570 | 210 | 250 |
| ACD600003 | 760 | 210 | 250 |
| ACD600004 | 950 | 210 | 250 |

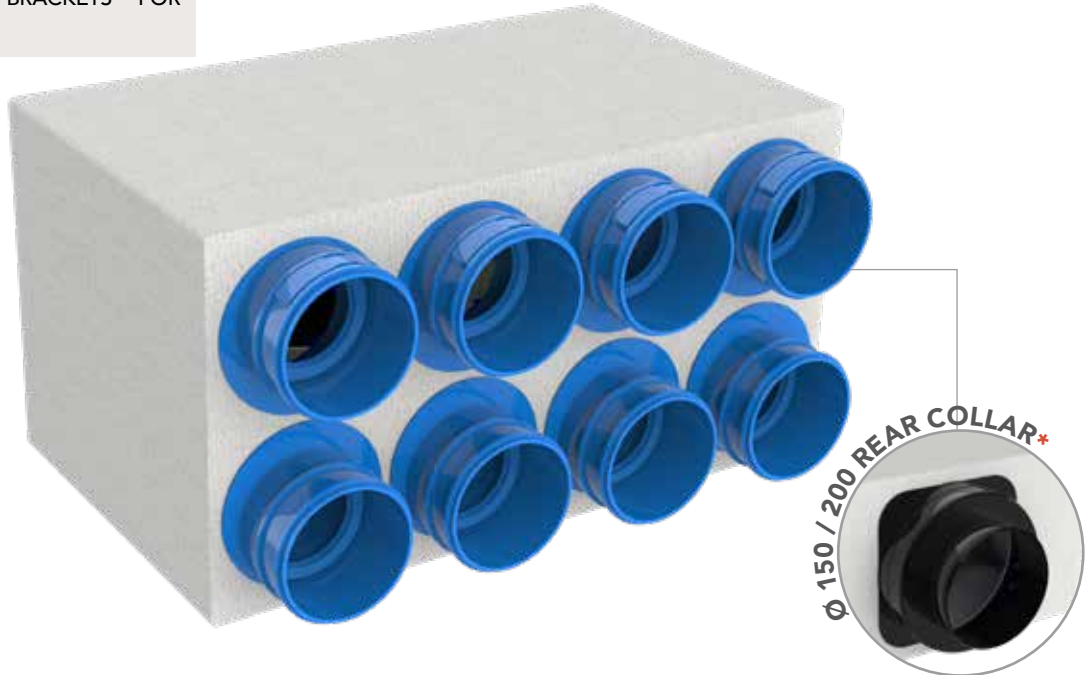
| CODE      | DESCRIPTION  | INPUT     | OUTPUT       |
|-----------|--|-----------|--------------|
|           |  | mm        | N° - mm      |
| ACD600001 | INSULATED SHEET METAL PLENUM FOR FLEXIBLE DUCTED HOSE WITH 2 OUTLETS Ø 150 | Ø 150/200 | N° 2 - Ø 150 |
| ACD600002 | INSULATED SHEET METAL PLENUM FOR FLEXIBLE DUCTED HOSE WITH 3 OUTLETS Ø 150 | Ø 150/200 | N° 3 - Ø 150 |
| ACD600003 | INSULATED SHEET METAL PLENUM FOR FLEXIBLE DUCTED HOSE WITH 4 OUTLETS Ø 150 | Ø 150/200 | N° 4 - Ø 150 |
| ACD600004 | INSULATED SHEET METAL PLENUM FOR FLEXIBLE DUCTED HOSE WITH 5 OUTLETS Ø 150 | Ø 150/200 | N° 5 - Ø 150 |

# INSULATED SHEET METAL HOUSING FOR FLEXIBLE HOSE WITH 4 - 6 - 8 - 10 - 12 OUTLETS Ø 75

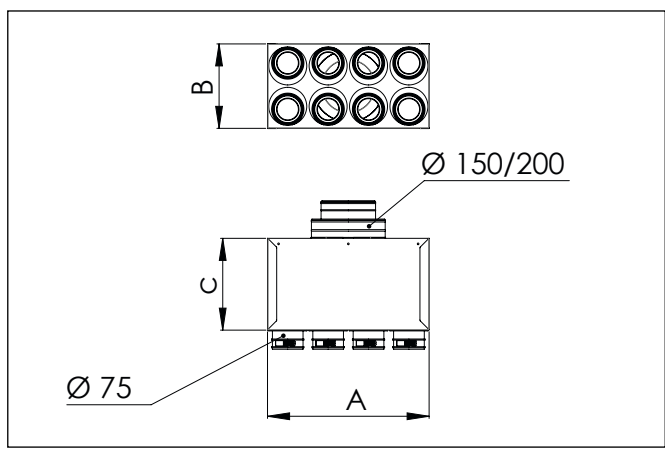


- TECHNICAL FEATURES**
- INSULATED GALVANISED SHEET METAL
  - 3mm THICK POLYETHYLENE EXTERNAL INSULATION
  - DOUBLE DIAMETER AIR INLET COLLAR WITH COUPLING FOR Ø200 / Ø150mm PIPES
  - OUTLET COLLARS AS PER TABLE
  - COMPLETE WITH BRACKETS FOR CEILING MOUNTING

Example: 8 outlets



\* LATERAL OR UPPER INLET ON REQUEST



| CODE      | A   | B   | C   |
|-----------|-----|-----|-----|
|           | mm  | mm  | mm  |
| ACD600005 | 220 | 230 | 250 |
| ACD600008 | 330 | 230 | 250 |
| ACD600011 | 440 | 230 | 250 |
| ACD600014 | 550 | 230 | 250 |
| ACD600017 | 660 | 230 | 250 |

| CODE      | DESCRIPTION  | INPUT     | OUTPUT       |
|-----------|--|-----------|--------------|
|           |  | mm        | N° - mm      |
| ACD600005 | INSULATED SHEET METAL PLENUM FOR FLEXIBLE DUCTED HOSE WITH 4 OUTLETS Ø 75  | Ø 150/200 | N° 4 - Ø 75  |
| ACD600008 | INSULATED SHEET METAL PLENUM FOR FLEXIBLE DUCTED HOSE WITH 6 OUTLETS Ø 75  | Ø 150/200 | N° 6 - Ø 75  |
| ACD600011 | INSULATED SHEET METAL PLENUM FOR FLEXIBLE DUCTED HOSE WITH 8 OUTLETS Ø 75  | Ø 150/200 | N° 8 - Ø 75  |
| ACD600014 | INSULATED SHEET METAL PLENUM FOR FLEXIBLE DUCTED HOSE WITH 10 OUTLETS Ø 75 | Ø 150/200 | N° 10 - Ø 75 |
| ACD600017 | INSULATED SHEET METAL PLENUM FOR FLEXIBLE DUCTED HOSE WITH 12 OUTLETS Ø 75 | Ø 150/200 | N° 12 - Ø 75 |



# INSULATED SHEET METAL PLENUM FOR FLEXIBLE HOSE WITH 4 - 6 - 8 - 10 - 12 OUTLETS Ø 92



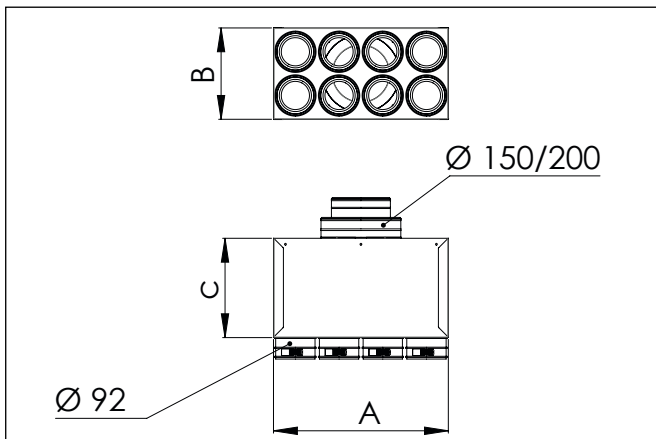
## TECHNICAL FEATURES

- INSULATED GALVANISED SHEET METAL
- 3mm THICK POLYETHYLENE EXTERNAL INSULATION
- DOUBLE DIAMETER AIR INLET COLLAR WITH COUPLING FOR Ø200 / Ø150mm PIPES
- OUTLET COLLARS AS PER TABLE
- COMPLETE WITH BRACKETS FOR CEILING MOUNTING

Example: 8 outlets



\* LATERAL OR UPPER INLET ON REQUEST



| CODE      | A   | B   | C   |
|-----------|-----|-----|-----|
|           | mm  | mm  | mm  |
| ACD600006 | 220 | 230 | 250 |
| ACD600009 | 330 | 230 | 250 |
| ACD600012 | 440 | 230 | 250 |
| ACD600015 | 550 | 230 | 250 |
| ACD600018 | 660 | 230 | 250 |

| CODE      | DESCRIPTION   | INPUT     | OUTPUT       |
|-----------|---|-----------|--------------|
|           |   | mm        | N° - mm      |
| ACD600006 | INSULATED SHEET METAL PLENUM FOR FLEXIBLE HOSE WITH 4 OUTLETS Ø 92    | Ø 150/200 | N° 4 - Ø 92  |
| ACD600009 | INSULATED SHEET METAL PLENUM FOR FLEXIBLE HOSE WITH 6 OUTLETS Ø 92    | Ø 150/200 | N° 6 - Ø 92  |
| ACD600012 | INSULATED SHEET METAL PLENUM FOR FLEXIBLE HOSE WITH 8 OUTLETS Ø 92    | Ø 150/200 | N° 8 - Ø 92  |
| ACD600015 | INSULATED SHEET METAL PLENUM FOR FLEXIBLE HOSE WITH 10 OUTLETS Ø 92   | Ø 150/200 | N° 10 - Ø 92 |
| ACD600018 | INSULATED SHEET METAL PLENUM FOR FLEXIBLE HOSE WITH 12 OUTLETS X Ø 92 | Ø 150/200 | N° 12 - Ø 92 |

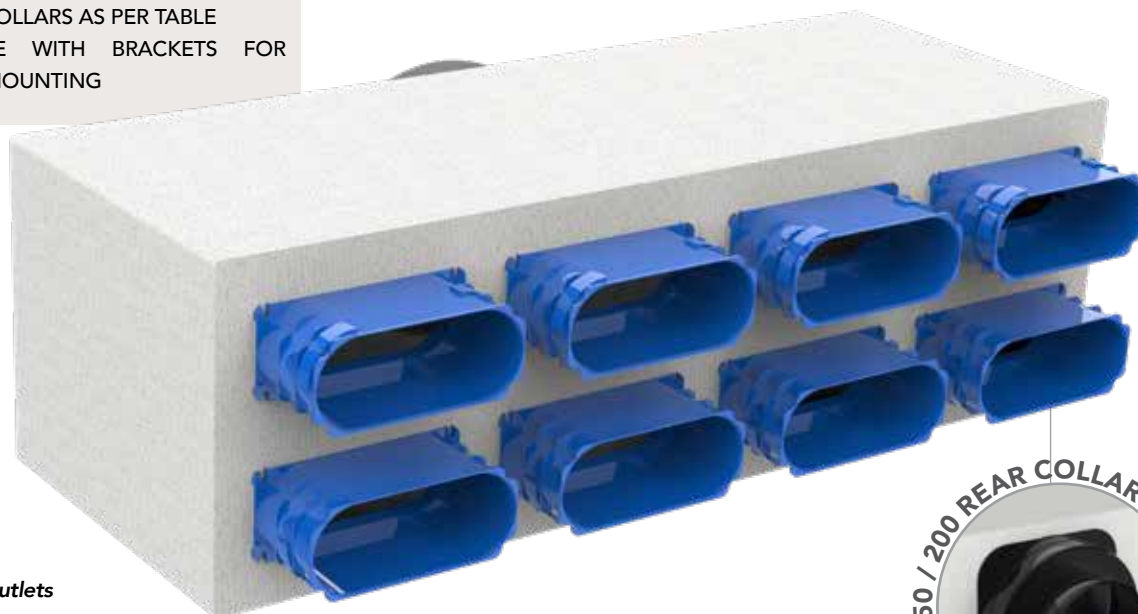


# INSULATED SHEET METAL PLENUM FOR FLEXIBLE HOSE WITH 4 - 6 - 8 - 10 - 12 OVAL OUTLETS



## TECHNICAL FEATURES

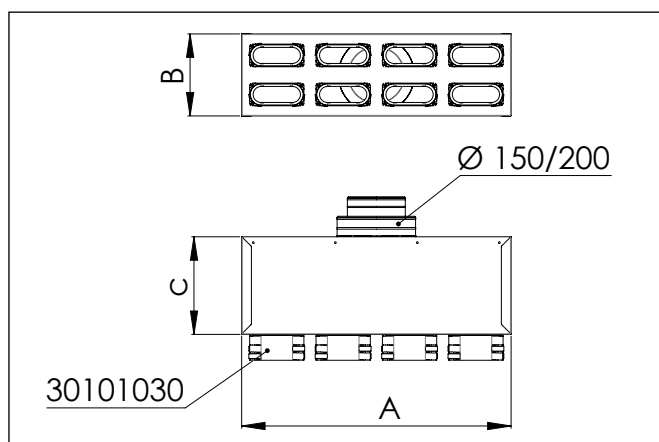
- INSULATED GALVANISED SHEET METAL
- 3mm THICK POLYETHYLENE EXTERNAL INSULATION
- DOUBLE DIAMETER AIR INLET COLLAR WITH COUPLING FOR Ø200 / Ø150mm PIPES
- OUTLET COLLARS AS PER TABLE
- COMPLETE WITH BRACKETS FOR CEILING MOUNTING



Example: 8 outlets



\* LATERAL OR UPPER INLET ON REQUEST



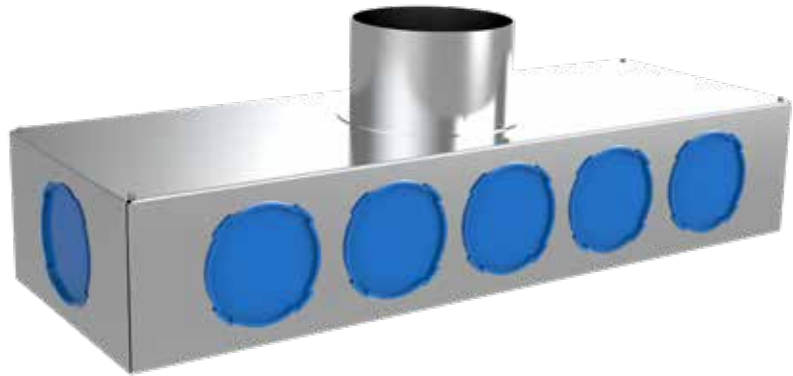
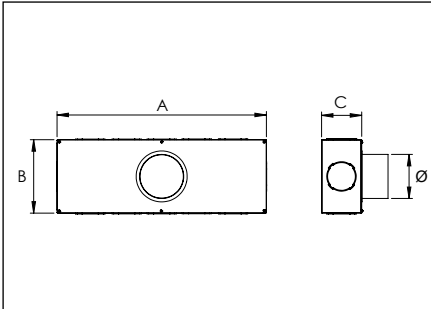
| CODE      | A    | B   | C   |
|-----------|------|-----|-----|
|           | mm   | mm  | mm  |
| ACD600007 | 350  | 210 | 250 |
| ACD600010 | 520  | 210 | 250 |
| ACD600013 | 690  | 210 | 250 |
| ACD600016 | 860  | 210 | 250 |
| ACD600019 | 1030 | 210 | 250 |

| CODE      | DESCRIPTION  | INPUT     | OUTPUT            |
|-----------|--|-----------|-------------------|
|           |  | mm        | N° - mm           |
| ACD600007 | INSULATED SHEET METAL PLENUM FOR FLEXIBLE HOSE WITH 4 OVAL OUTLETS 120x35  | Ø 150/200 | N° 4 OVAL 120x35  |
| ACD600010 | INSULATED SHEET METAL PLENUM FOR FLEXIBLE HOSE WITH 6 OVAL OUTLETS 120x35  | Ø 150/200 | N° 6 OVAL 120x35  |
| ACD600013 | INSULATED SHEET METAL PLENUM FOR FLEXIBLE HOSE WITH 8 OVAL OUTLETS 120x35  | Ø 150/200 | N° 8 OVAL 120x35  |
| ACD600016 | INSULATED SHEET METAL PLENUM FOR FLEXIBLE HOSE WITH 10 OVAL OUTLETS 120x35 | Ø 150/200 | N° 10 OVAL 120x35 |
| ACD600019 | INSULATED SHEET METAL PLENUM FOR FLEXIBLE HOSE WITH 12 OVAL OUTLETS 120x35 | Ø 150/200 | N° 12 OVAL 120x35 |

# DISTRIBUTION PLENUM

## TECHNICAL FEATURES

- MADE IN GALVANIZED PLATE AND EQUIPPED WITH 12 FITTINGS FOR Ø75 E Ø90 PIPES.
- THE COLLAR OF THE PLENUM IS AVAILABLE IN Ø 125 AND Ø 160

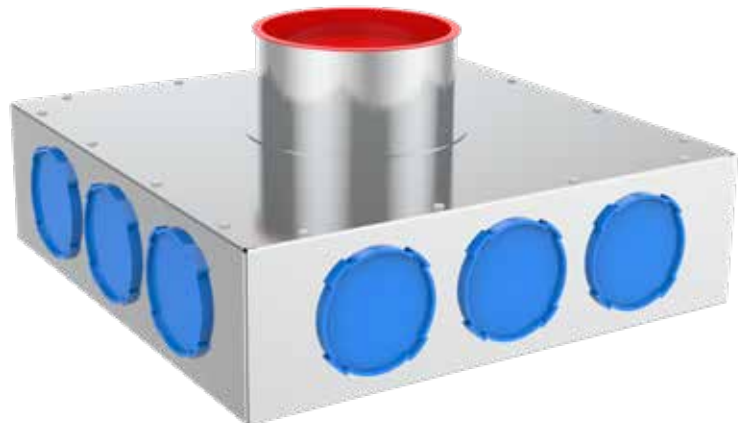
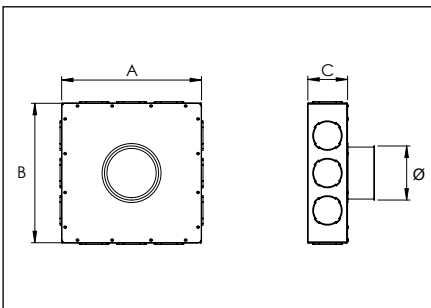


| CODE     | DESCRIPTION  | A   | B   | C   | Ø   |
|----------|--|-----|-----|-----|-----|
|          |  | mm  | mm  | mm  | mm  |
| 30100031 | DISTRIBUTION PLENUM 600 x 200 x 110 WITH COLLAR Ø 125 mm | 600 | 200 | 110 | 125 |
| 30100041 | DISTRIBUTION PLENUM 600 x 200 x 180 WITH COLLAR Ø 125 mm | 600 | 200 | 180 | 125 |
| 30100032 | DISTRIBUTION PLENUM 600 x 200 x 110 WITH COLLAR Ø 160 mm | 600 | 200 | 110 | 160 |
| 30100047 | DISTRIBUTION PLENUM 600 x 200 x 180 WITH COLLAR Ø 160 mm | 600 | 200 | 180 | 160 |

# INTAKE PLENUM

## TECHNICAL FEATURES

- ITEM MADE OUT OF GALVANIZED PLATE COMES WITH 8 CONNECTORS FOR PIPES/HOSING OF Ø75 AND Ø90mm



| CODE     | DESCRIPTION            | A   | B   | C   | Ø   |
|----------|------------------------|-----|-----|-----|-----|
|          |                        | mm  | mm  | mm  | mm  |
| 30100070 | INTAKE PLENUM "MOD. A" | 400 | 400 | 110 | 150 |

## COMPLETE CONNECTOR FOR BOX AND PLENUM

### TECHNICAL FEATURES

- COMPLETE WITH LOCKING HOOK



**CAN BE INSTALLED ON A CUSTOM MADE PLENUMS**

| CODE     | DESCRIPTION                                   |
|----------|---|
| 30100120 | COMPLETE CONNECTOR FOR BOX AND PLENUM Ø 75 mm |
| 30100200 | COMPLETE CONNECTOR FOR BOX AND PLENUM Ø 92 mm |

## DIAPHRAGM FOR MANIFOLD BOX

### TECHNICAL FEATURES

- EXTERNAL DIAMETER: Ø 81 mm
- INTERNAL DIAMETER: Ø 30 mm



| CODE     | DESCRIPTION                |
|----------|----------------------------|
| 30100090 | DIAPHRAGM FOR MANIFOLD BOX |

## SLEEVE FOR FLEXIBLE HOSE AIR INLET

HOSE-TO-HOSE CONNECTOR WITH CLAMPS



| CODE     | DESCRIPTION                                |
|----------|--|
| 30100130 | SLEEVE FOR FLEXIBLE HOSE AIR INLET Ø 75 mm |
| 30100210 | SLEEVE FOR FLEXIBLE HOSE AIR INLET Ø 92 mm |

# DUST-PREVENTION CAP

PROTECTIVE CAP AGAINST DUST FOR HOSES AND CONNECTORS



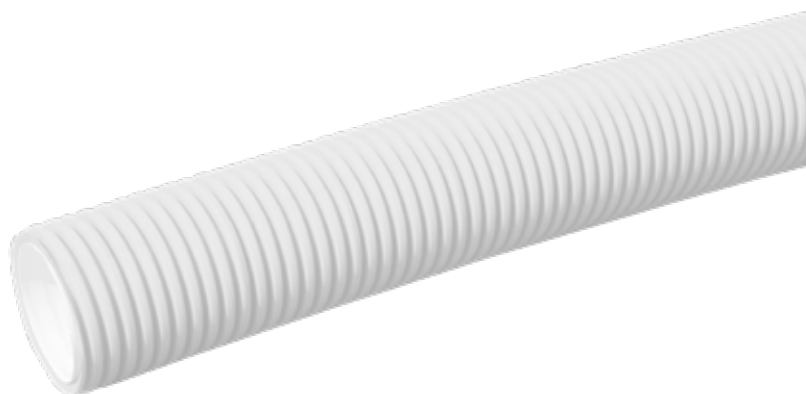
| CODE     | DESCRIPTION                    |
|----------|--------------------------------|
| 30100160 | DUST CAP FOR HOSES Ø 75 mm     |
| 30100250 | DUST CAP FOR HOSES Ø 92 mm     |
| 30100170 | DUST CAP FOR CONNECTOR Ø 75 mm |

## WHITE, FLEXIBLE ROUND AIR INLET HOSE, ANTISTATIC + ANTIBACTERIAL

### TECHNICAL FEATURES

- DOUBLE WALLED HOSE, SMOOTH INSIDE WITH ANTISTATIC, ANTIBACTERIAL AND ANTIFUNGAL ADDITIVES
- CORRUGATED EXTERNAL WALL WITH EXTRA PROTECTION AGAINST UV RAYS
- WHITE WITH HIGH PROTECTION AGAINST UV RAYS
- RESISTANCE TO COMPRESSION GREATER THAN 500N, AS PER EN61386-1/2008 AND EN61386-2-4/2010, WITH 5% INTERNAL DIAMETER DEFORMATION
- RESTRICTIONS: -20 °C / +60 °C.
- REACTION TO FIRE CLASSIFICATION: EUROCLASS E (UNI EN 13501)
- MINIMUM BEND RADIUS: FOUR TIMES THE EXTERNAL DIAMETER

REACTION TO FIRE CLASSIFICATION:  
EUROCLASS E (UNI EN 13501)



### IDEAL FOR:

- ✓ INTAKE SYSTEMS
- ✓ NATURAL VENTILATION
- ✓ CONTROLLED MECHANICAL VENTILATION (CMV)
- ✓ HUMIDITY CONTROL
- ✓ HEAT EXCHANGE
- ✓ AIR CONDITIONING

| CODE      | DESCRIPTION  | LENGTH (mt) | Ø INT. (mm) | Ø EXT. (mm) |
|-----------|--|-------------|-------------|-------------|
| ACC600021 | WHITE ANTISTATIC + ANTIBACTERIAL AIR INTAKE FLEXIBLE ROUND HOSE - Ø 75 | 50          | 60          | 75          |
| ACC600022 | WHITE ANTISTATIC + ANTIBACTERIAL AIR INTAKE FLEXIBLE ROUND HOSE - Ø 92 | 50          | 73          | 92          |

## ELBOW BEND 90°

90° ELBOW WITH CONNECTOR FOR CORRUGATED HOSES WITH SEALER CLAMPS AND O-RING GASKETS.

| CODE     | DESCRIPTION            |
|----------|------------------------|
| 30100180 | ELBOW BEND 90° Ø 75 mm |
| 30100260 | ELBOW BEND 90° Ø 92 mm |



## ELBOW BEND 90° FOR FLOORS

90° BEND WITH CONNECTION FOR CORRUGATED HOSES, FOR FLOOR INSTALLATION, WITH SEALER CLAMPS AND O-RING GASKETS.

| CODE     | DESCRIPTION                       |
|----------|-----------------------------------|
| 30100190 | ELBOW BEND 90° FOR FLOORS Ø 75 mm |
| 30100270 | ELBOW BEND 90° FOR FLOORS Ø 92 mm |



## 90° ELBOW FITTING FOR HOISING, Ø75, AND GRILLE

90° FITTING FOR DISTRIBUTION TERMINAL **COMPLETE WITH CONNECTING PLATE, SEALER CLAMPS AND DUST-PREVENTION CAPS.**

| CODE     | DESCRIPTION                                       |
|----------|---|
| 30100140 | 90° ELBOW FITTING FOR HOISING, Ø 75 mm AND GRILLE |



## 90° HOSE CONNECTOR Ø92 AND GRILLE

90° FITTING FOR CORRUGATED HOSES FOR GRILLE CONNECTION. **COMPLETE WITH SEALER CLAMPS AND CONNECTOR PLATE.**

| CODE     | DESCRIPTION                           |
|----------|---------------------------------------|
| 30100220 | 90° HOSE CONNECTOR Ø 92 mm AND GRILLE |



# LUCINA OUTFLOW GRILLE

## TECHNICAL FEATURES

- MAX. FEED FLOW RATE 75 m<sup>3</sup>/h
- BLADES CAN BE SWIVELLED 360°



| CODE     | DESCRIPTION             |
|----------|-------------------------|
| 30100300 | "LUCINA" OUTFLOW GRILLE |

# CLOE INTAKE GRILLE

## TECHNICAL FEATURES

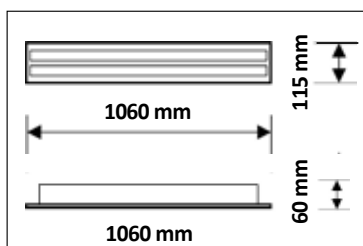
- MAX. FEED FLOW RATE: 75 m<sup>3</sup>/h
- MAX. RETURN FLOW RATE: 50 m<sup>3</sup>/h

SUITABLE TO BE FITTED  
ON THE WALLS

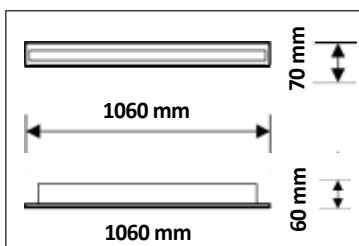


| CODE     | DESCRIPTION          |
|----------|----------------------|
| 30100310 | "CLOE" INTAKE GRILLE |

# ANODIZED ALUMINUM / WHITE PAINTED LINEAR DIFFUSERS



DIMENSIONS OF 1-SLOTS LINEAR DIFFUSER



DIMENSIONS OF 1-SLOT LINEAR DIFFUSER



✓ FOR ITEM CODES CONSULT THE CATALOG PROJECT WIND PAGE 45 - 48